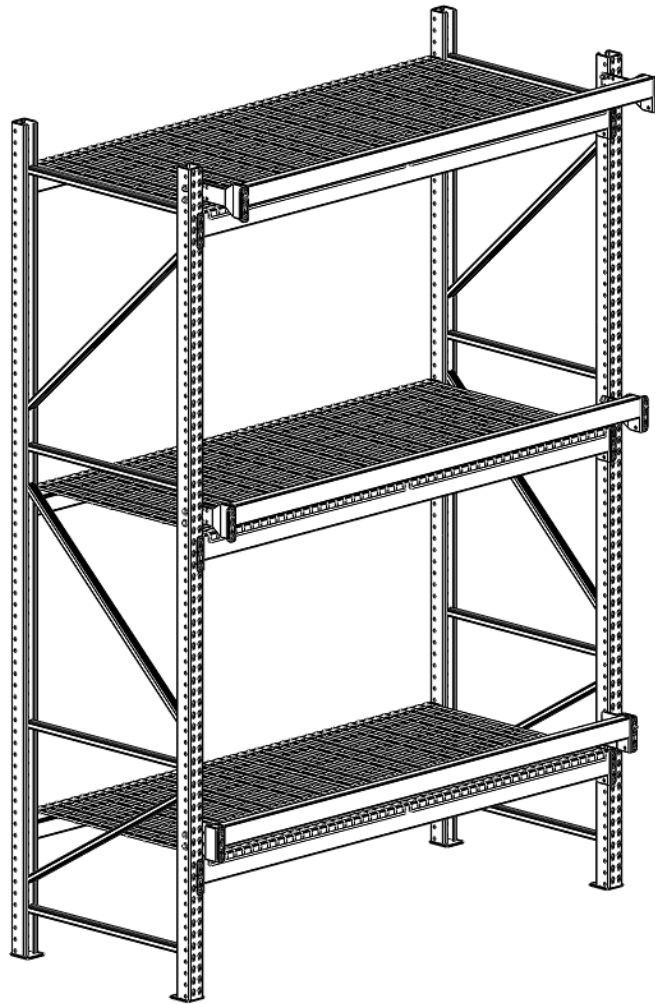




HUSKY

RACK & WIRE™



Tools Needed for Installation

- 9/16" OPEN END WRENCH
- 3/4" OPEN END WRENCH

GENERAL INFORMATION

Table of Contents

General Information

Prior to Installation.....	2
----------------------------	---

Installation

Bracket and Beam Installation	3
Finish The Installation	4

Introduction

This guide provides information on safe and proper installation of Husky Rack & Wire (Husky) Pallet Stop Beams. The installation drawings that follow are intended as basic guides to installation of standard Husky components. Additional information and videos can be found on our website at www.huskyrackandwire.com. Failure to properly install, use and maintain Husky products can result in loss of use, collapse, property damage, personal injury or death.

We recommend installation be performed by qualified individuals with experience in the proper assembly of security products and knowledge of industry and government standards and guidelines. All users should carefully read these instructions in their entirety and ensure that all members of the installation team wear a hardhat, hard-toe boots and gloves without cuffs during installation.

Warnings

- The structure must be installed in a plumb, level, and square condition. Floor shims should be utilized as needed to ensure a level installation. The area where the structure is to be installed should be free of all obstructions.
- If unstable during installation, temporary bracing may be necessary until the product is completely assembled.
- Do not intermingle new and existing/used parts, and do not combine with products made by other manufacturers.
- Do not substitute any parts or hardware not approved by Husky.
- Do not install damaged or compromised components.
- Do not place items on top of Pallet Stop Beams.
- Never stand, walk or climb on Pallet Stop Beams, during or after assembly.
- Do not install Husky products outdoors, unless specifically designed for this purpose.
- This Husky product does not include locking devices or other security system components. For installation, use and maintenance of such components, see the manufacturers' instructions.

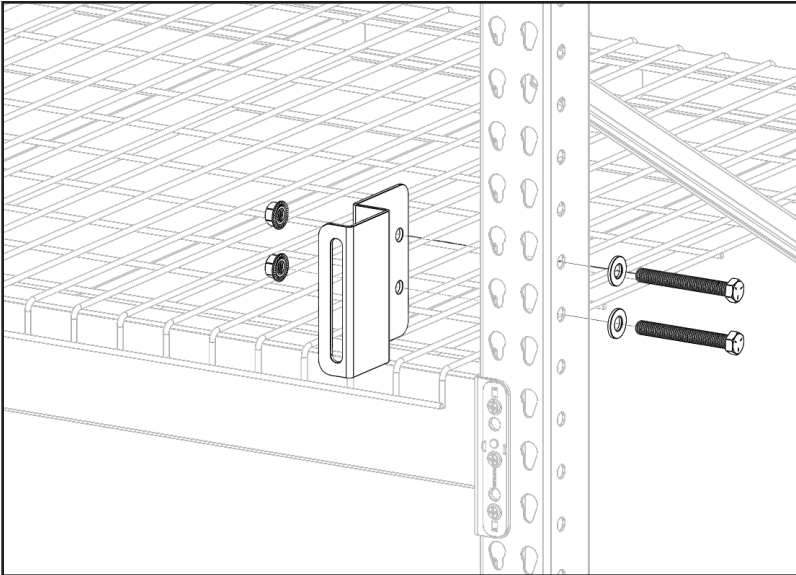
PROPER ASSEMBLY IS THE RESPONSIBILITY OF THE OWNER AND IS NOT COVERED BY ANY WARRANTY OF HUSKY. HUSKY DISCLAIMS ALL LIABILITY WITH RESPECT TO INSTALLATION OF ITS PRODUCTS.

Inspection and Maintenance

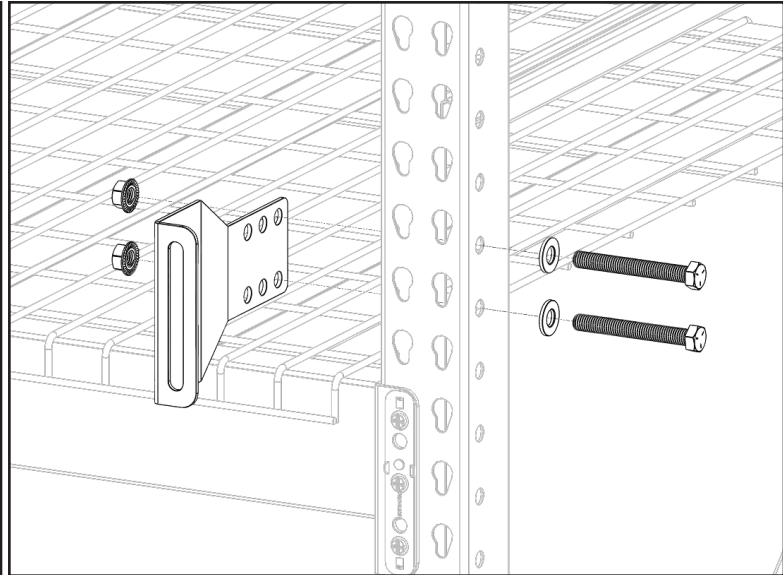
Once installed, the owner should ensure that periodic inspections are performed and that the structure is properly maintained in accordance with industry practice.

BRACKET AND BEAM INSTALLATION

0", 1", 2" OFFSET



ALL OTHER OFFSETS

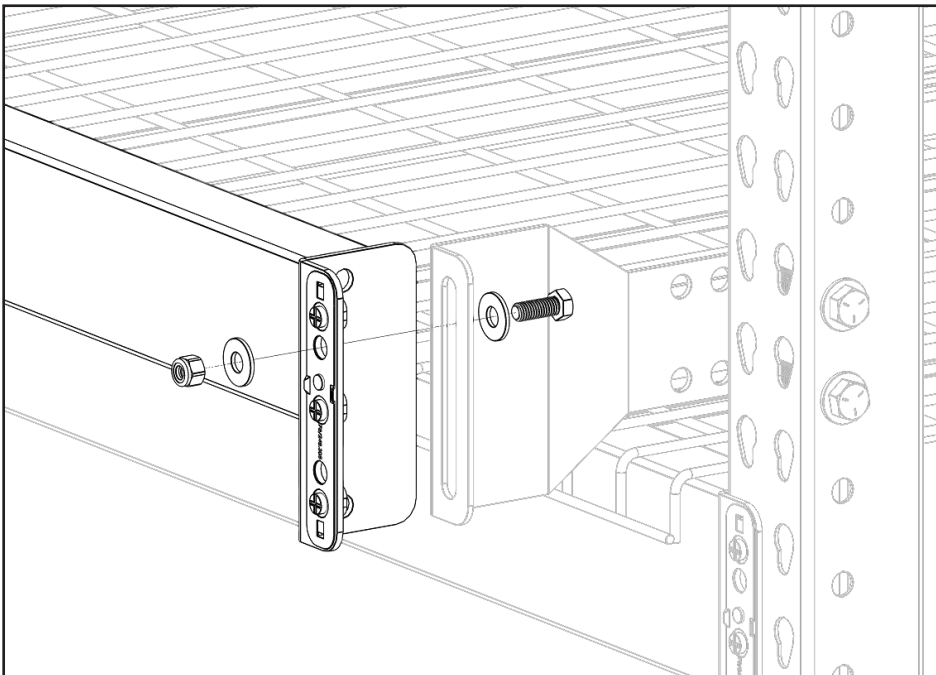


Take the Pallet Stop Beam Offset Bracket and bolt it to the inside of the upright; right above the beam level as shown above using:

(2) H5852 - Bolt, Hex Head Cap 1/2-13 X 4" Long

(2) H5851 - Flat Washer 1/2"

(2) H5825 - Nut, 1/2-13 Serrated Flange



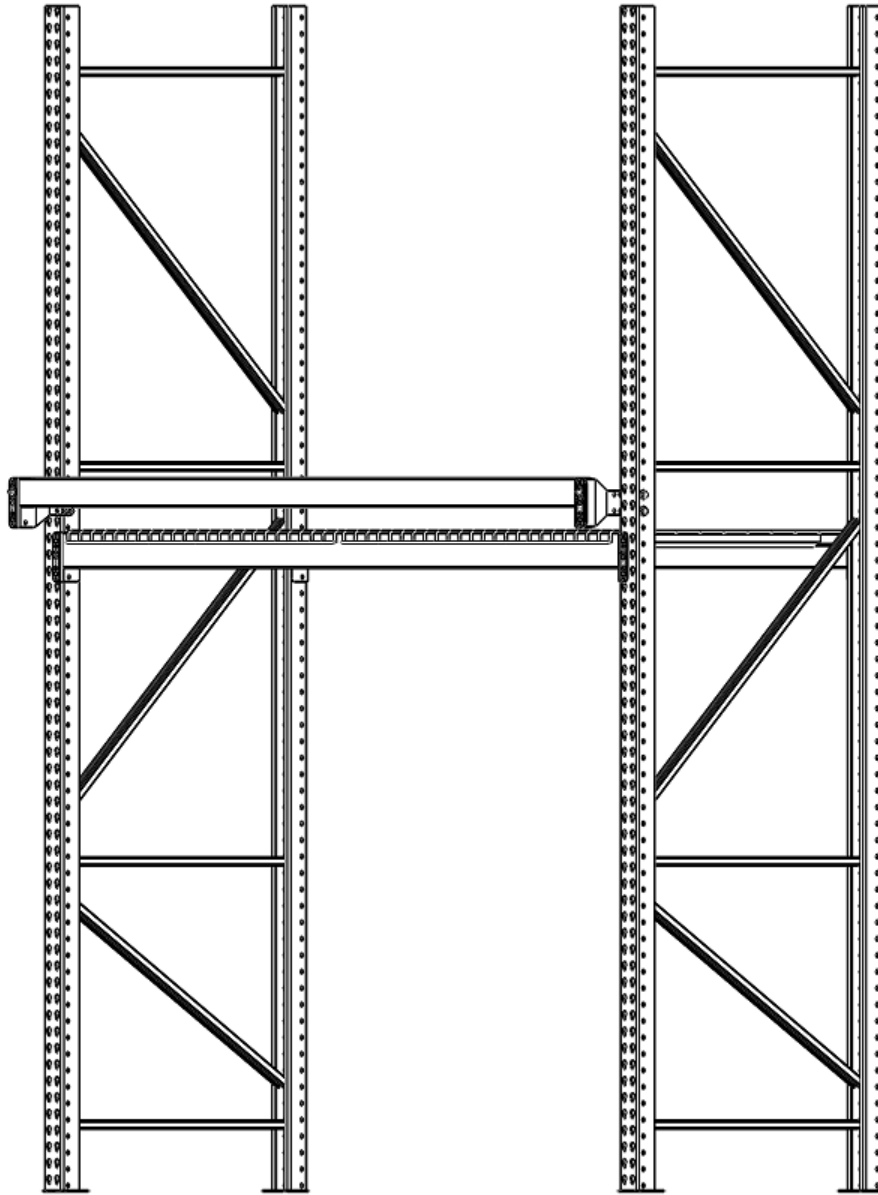
After the brackets have been installed, bolt the Pallet Stop Beam to the brackets as shown using:

(2) H5931 - Bolt, 3/8-16 X 1" Long Hex Head

(2) H5933 - Flat Washer, 3/8"

(2) H5932 - Nut, 3/8-16 Nylon Insert Locknut

FINISH THE INSTALLATION



Repeat for all beam levels.