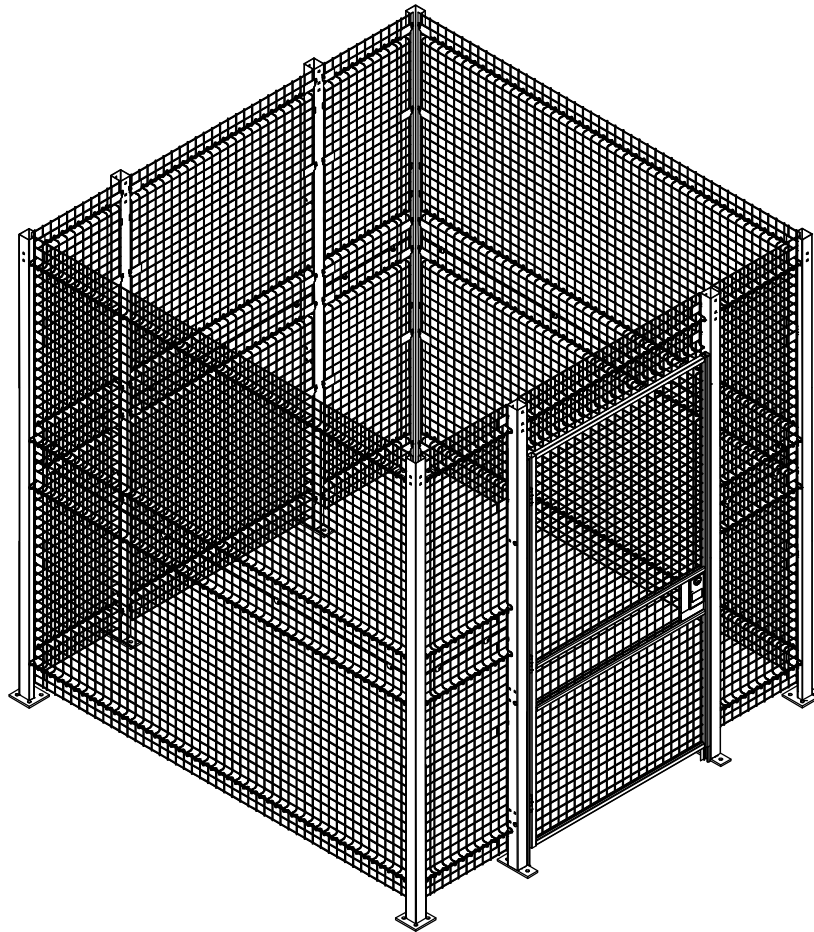




## HUSKY RACK & WIRE™



### Tools Needed for Installation

- Level
- Hammer Drill
- 1/2" Masonry Bit
- Tape Measure
- Step Ladder
- Socket Wrench
- Socket Wrench Extension
- 7/16" Socket
- 1/2" Socket
- 3/4" Socket
- Hammer
- Safety Glasses
- Pencil or Chalk Line
- Shop Vacuum Cleaner
- Work Gloves

# GENERAL INFORMATION

## Table of Contents

### General Information

Prior to Installation .....	2
Overview Example .....	3
Post and Panels.....	3

### Installation

Post Installation.....	4
Wall Panel Installation .....	5

### Door Installation

Single Swing Door.....	7
Single Swing Door with Panic Bar .....	9
Single Swing Door with Electric Strike .....	11
Single Swing Door with Panic Bar and Electric Strike.....	13
Hydraulic Closer.....	15
Double Swing Door.....	16
Slide Door.....	18
Maglock.....	22
Double Slide Door Installation .....	23
Tunnel Door .....	25
Double Tunnel Door Installation .....	29

Security Cages larger than 10' tall .....	31
---	----

Cutting Panels.....	32
---------------------	----

## Wire Installation Instructions Riders

### Rider A

#### Introduction

This document is a procedural guide only and is intended to be used as a reference for installing Husky Rack & Wire Welded Wire products. Due to the numerous configurations possible for Welded Wire products, the installer must thoroughly review all instructions and bills of material prior to beginning installation.

#### Prior to Installation

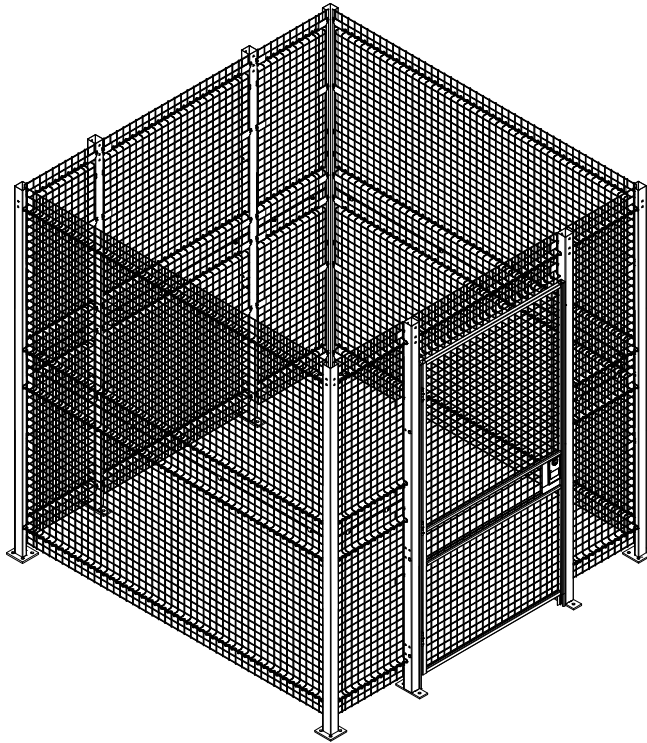
- Safety. Ensuring a safe working environment during installation is essential. Make sure that all members of the installation team are fully trained in proper installation procedures. All installation participants must at all times adhere to all facility safety policies as well as any federal, state and local regulations that may apply.
- Product Hardware. Inspect all items received and compare to the enclosed packing list. If hardware or components are missing, immediately call Husky Rack & Wire.
- Site Preparation. Determine the installation location of the product and ensure that the work site has been cleared for installation.
- Bracing. If unstable during installation, temporary bracing may be necessary until the product is completely assembled and anchored to the floor.

#### Installation Tips

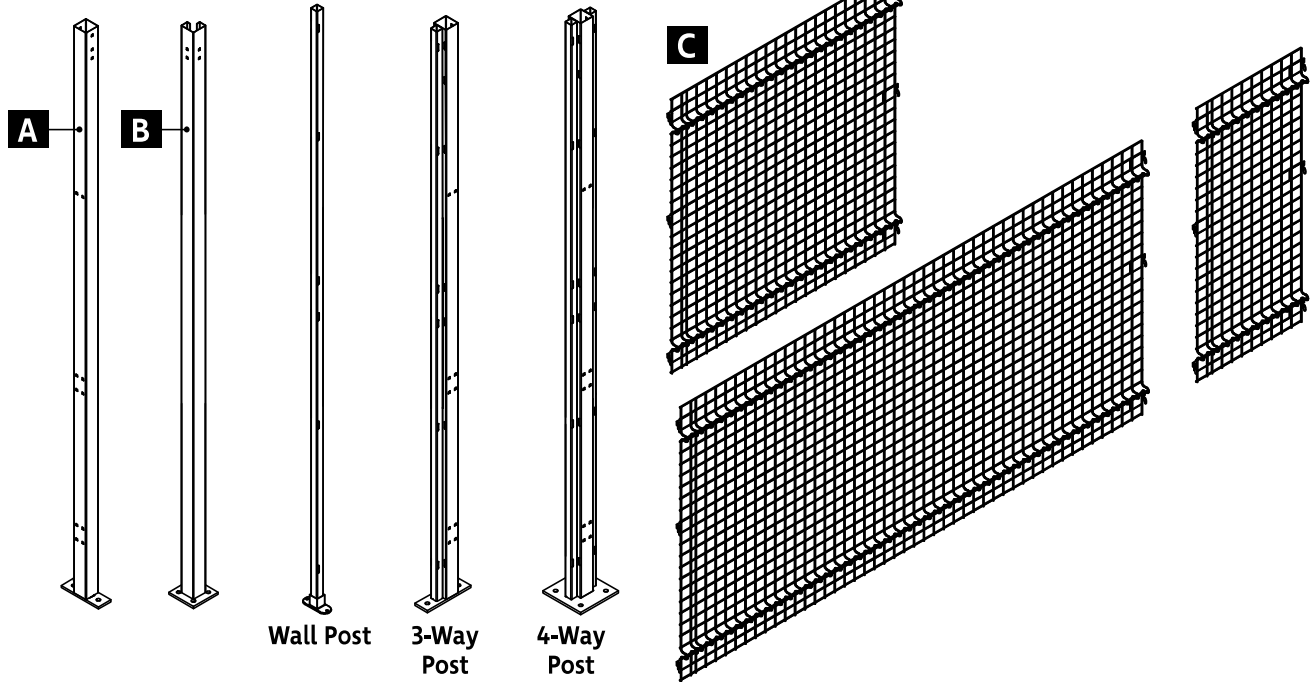
- Two or more person crew is required for installation.
- Before taking material out of the crate, make sure hardware box was received and placed in proper place.
- Check material with the installation drawing of the layout. Custom items are tagged and need to be staged separately.
- Panels are installed from inside the cage and drive pins used for securing panels to posts will also be installed inside of the cage.
- Make sure all posts are installed plumb. Use shims (supplied with kit), if necessary.
- Begin the installation process at a building wall, end of the run or corner of the layout.
- You can anchor first post. Do not anchor any other posts until the entire cage is assembled.
- Swing Door openings are Nominal -2 1/2" (for example opening for 3' door is 36" minus 2 1/2" = 33 1/2"). Use Transom Panel to get the correct door opening.
- Slide Door openings are Nominal minus 2 1/2". Slide door opening can be narrowed to adjust the length of the run.

# GENERAL INFORMATION

## Overview Layout Example



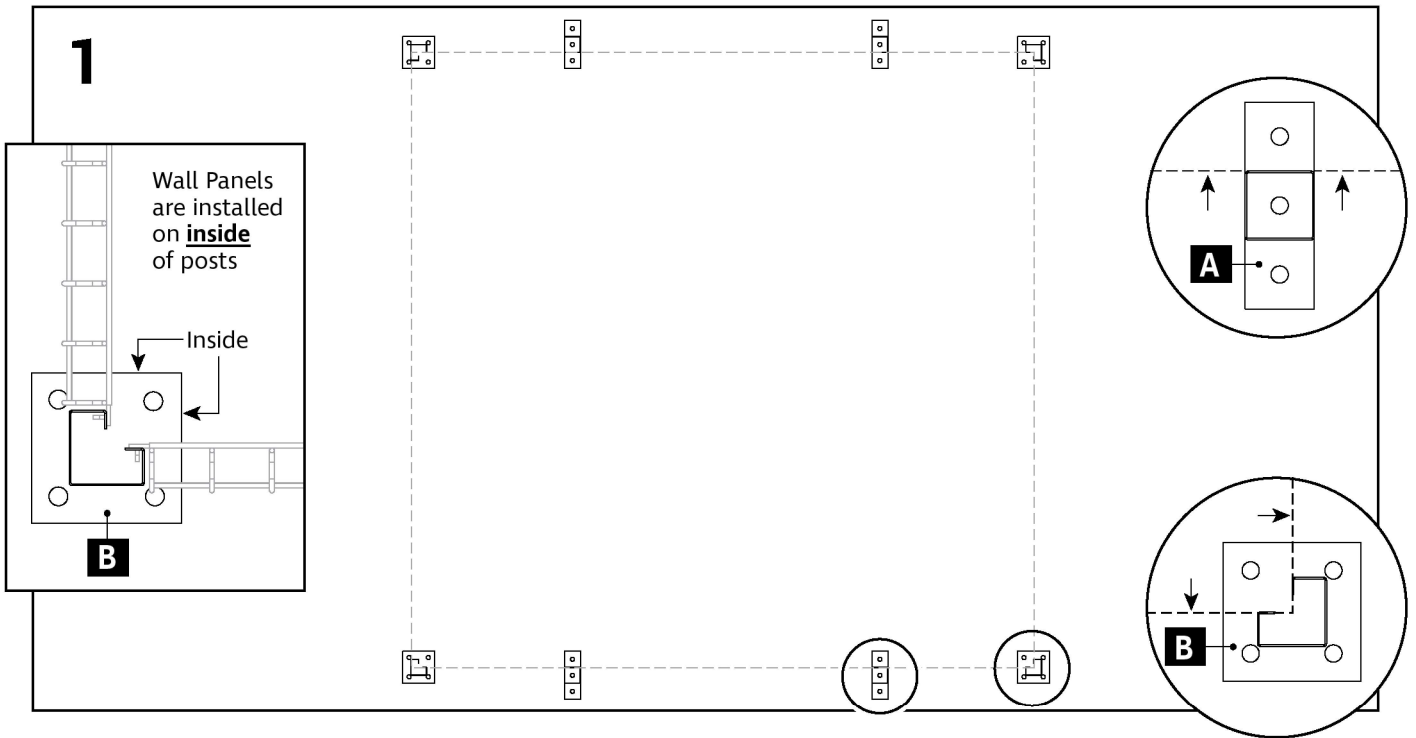
## Post and Wall Panels



### Parts List

- A. Line Post
- B. Corner Post
- C. Wall Panels

# POST INSTALLATION

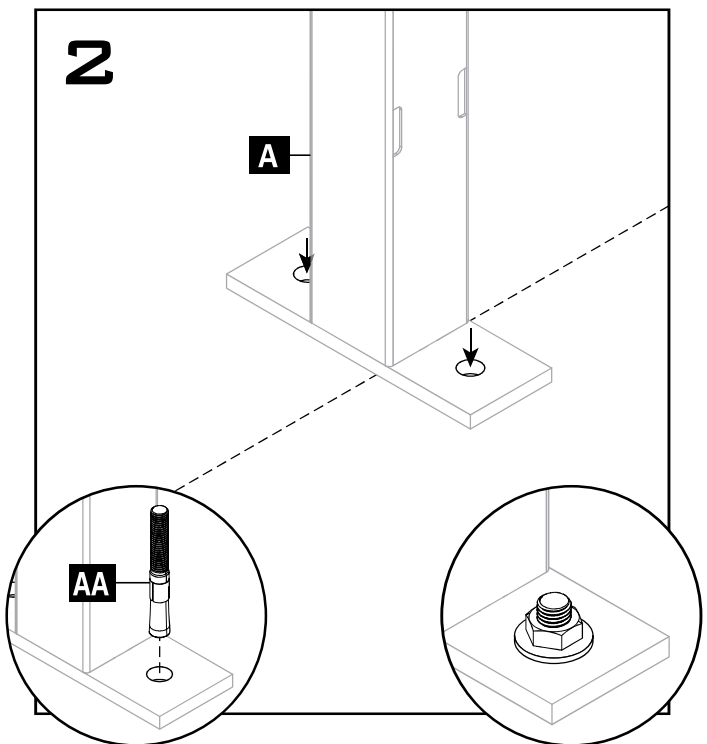


Mark area for line post (A) and corner post (B) installation. Place line post (A) edge to **inside** of marked area and corner post (B) as shown.

**Note:** Posts installed for door opening need to be the nominal minus 2-1/2".

## Hardware List

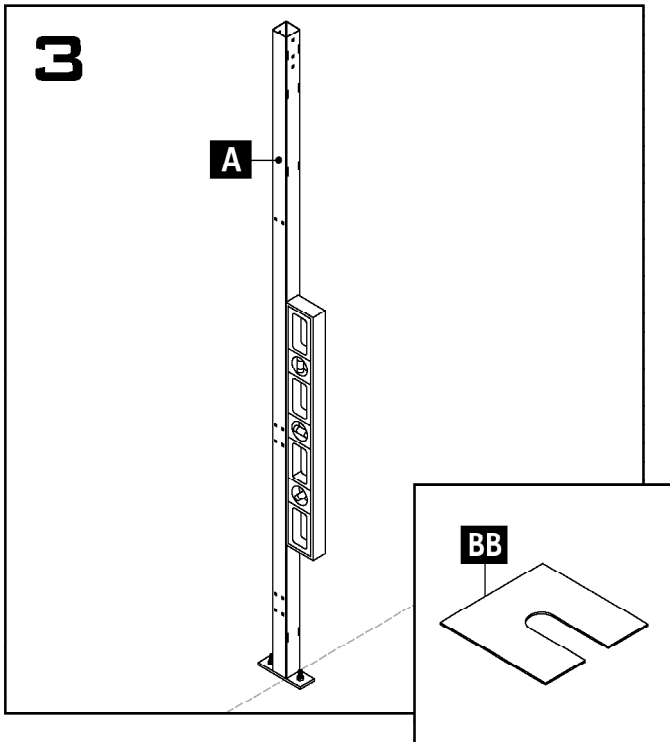
- AA.** Floor Anchor, Washer and Nut (2 per post)
- BB.** Shim (1 per post)
- CC.** Drive Pin
- DD.** Stack Clip
- EE.** Stack Clip Bolt
- FF.** Stack Clip Nut



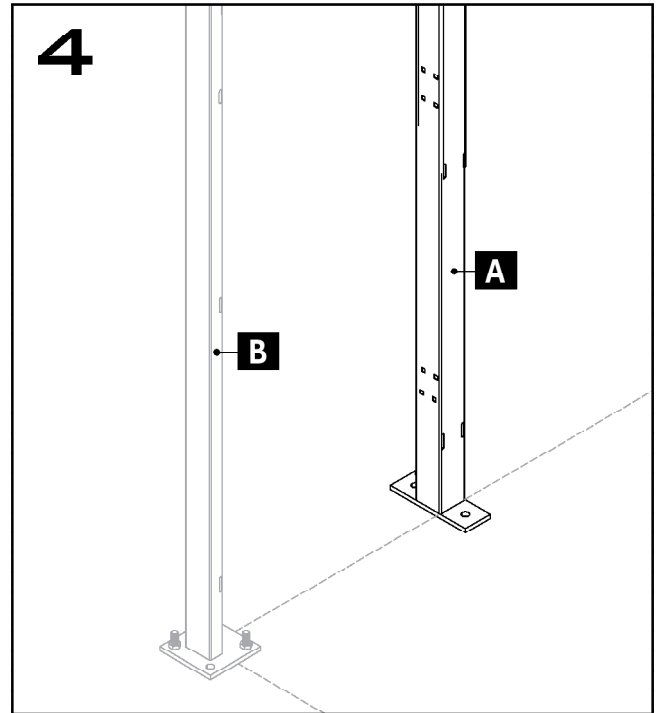
Place post (line post A shown) into position on marked line. Drill two holes (at opposite sides of post base) for first post. Using hammer, install two floor anchors, (AA). **Hand-tighten** nut and washer to secure anchor.



# POST / WALL PANEL INSTALLATION

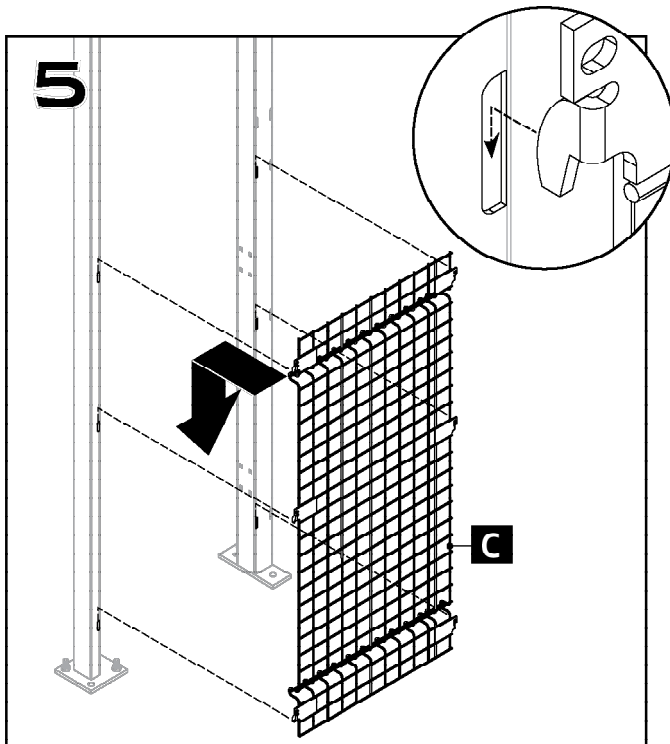


Using a level, check that first post (A) is plumb. Add shims (BB) to level if needed. **Fully tighten** anchor nuts.

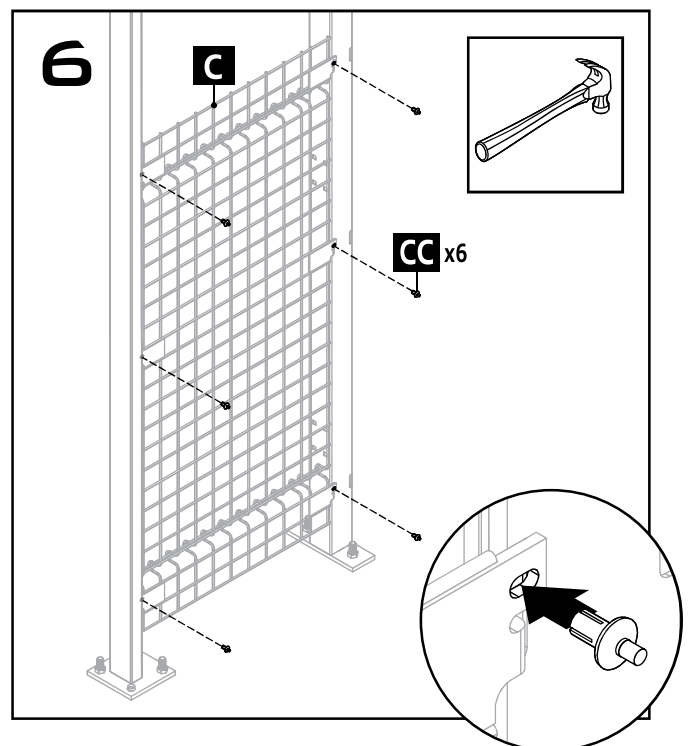


Place next post into position on marked line. **IMPORTANT:** do not anchor additional posts (after the first post is anchored) until the entire cage is assembled so that adjustments can be made to make sure the cage is square.

**Note:** Corner (B) and line (A) posts shown.

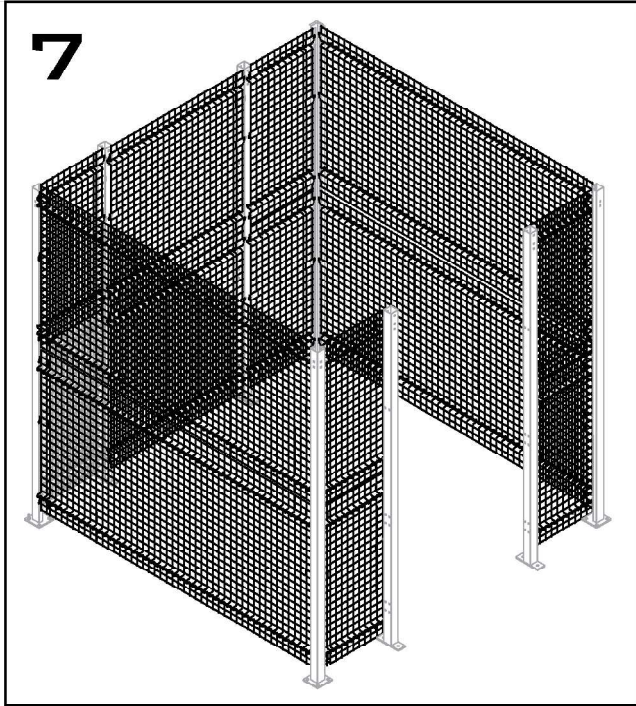


On inside of posts, install first wall panel (C). Insert all hooks on panel into post slots then slide panel down to engage hooks.

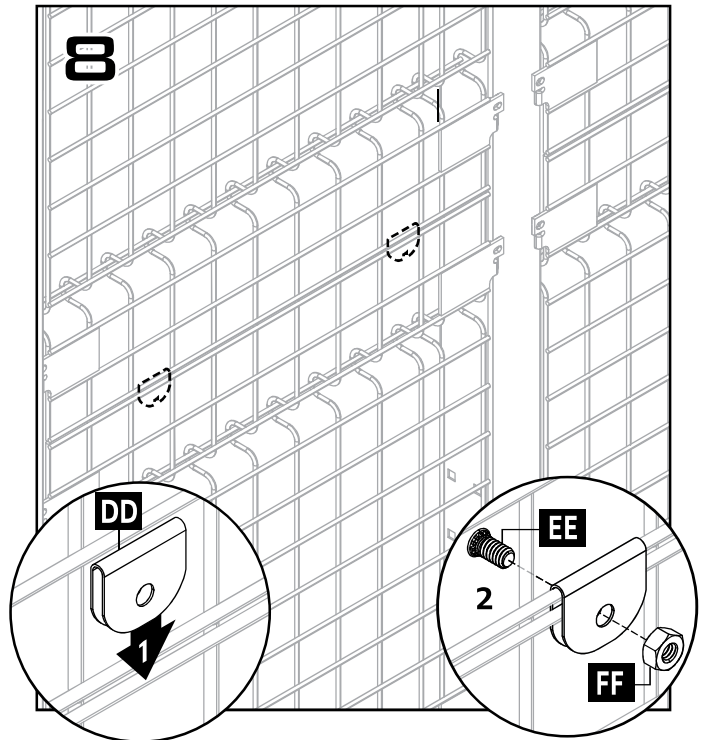


Insert drive pins (CC) into wall panel (C) clips. Use a hammer to fully install drive pins (CC).

# POST / WALL PANEL INSTALLATION

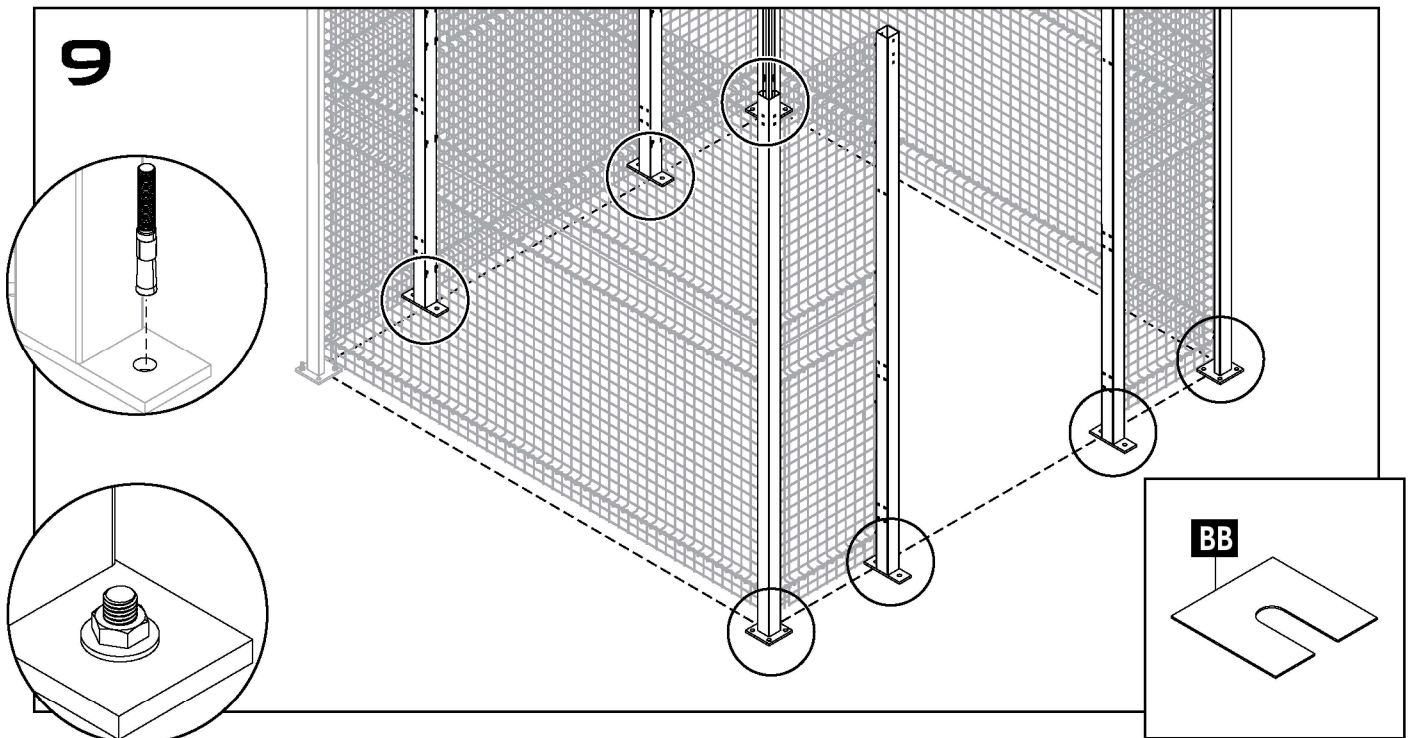


Repeat steps 4-6 for remaining posts (A/B) and wall panels (C).



## Stack Clip Installation

Install stack clip (DD) to wall panels. Secure with stack clip bolt (EE) and stack clip nut (FF) every 2'.



Check to make sure that entire assembly is square (to marked line). Drill two holes (at opposite sides of post base) for each remaining post. Using hammer, install two floor anchors, (AA) per post. **Hand-tighten** nut and washer to secure anchor. Using a level, check that posts are plumb. Add shims (BB) to level if needed. **Fully tighten** anchor nuts.

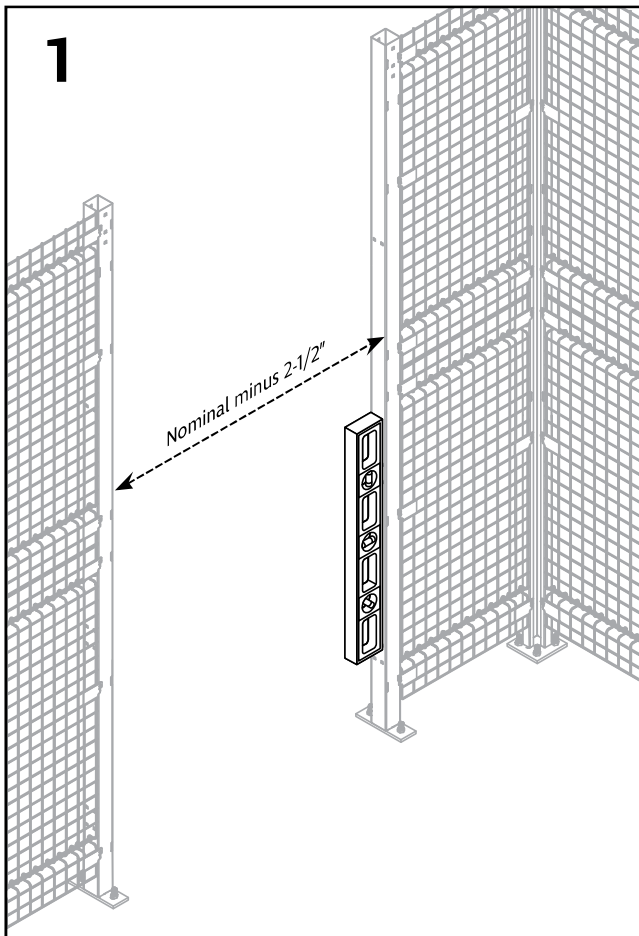
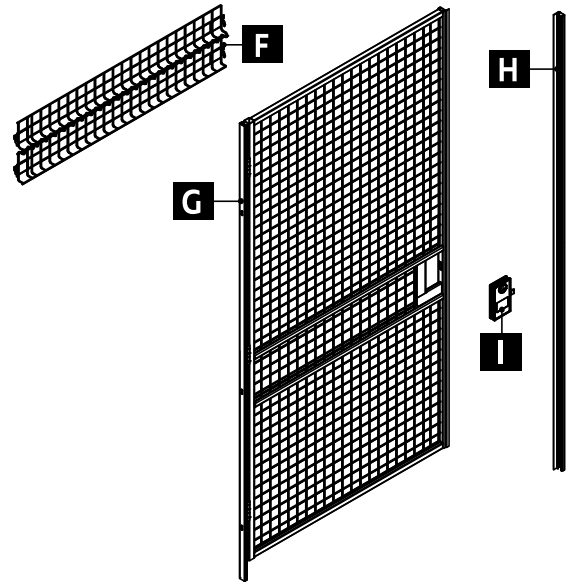
# SINGLE SWING DOOR INSTALLATION

## Parts List

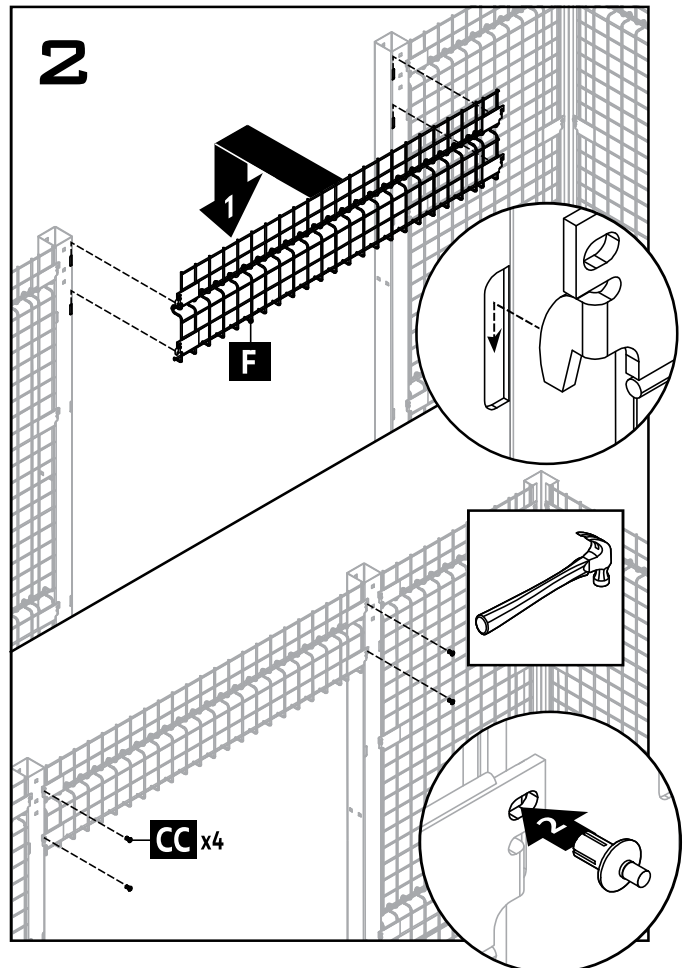
- F. Transom
- G. Door Panel
- H. Strike Bar
- I. Door Lock

## Hardware List

- CC. Drive Pins
- GG. Carriage Bolt (5/16" x 3")
- HH. Nut (5/16")

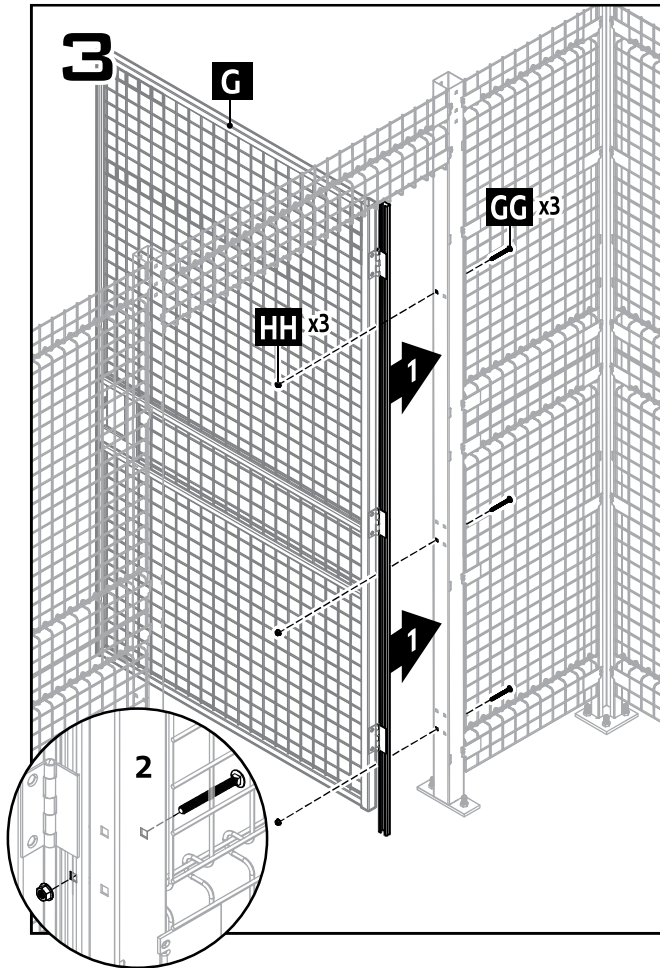


Verify posts being used for door panel (G) are plumb and that the opening is nominal minus 2-1/2\".

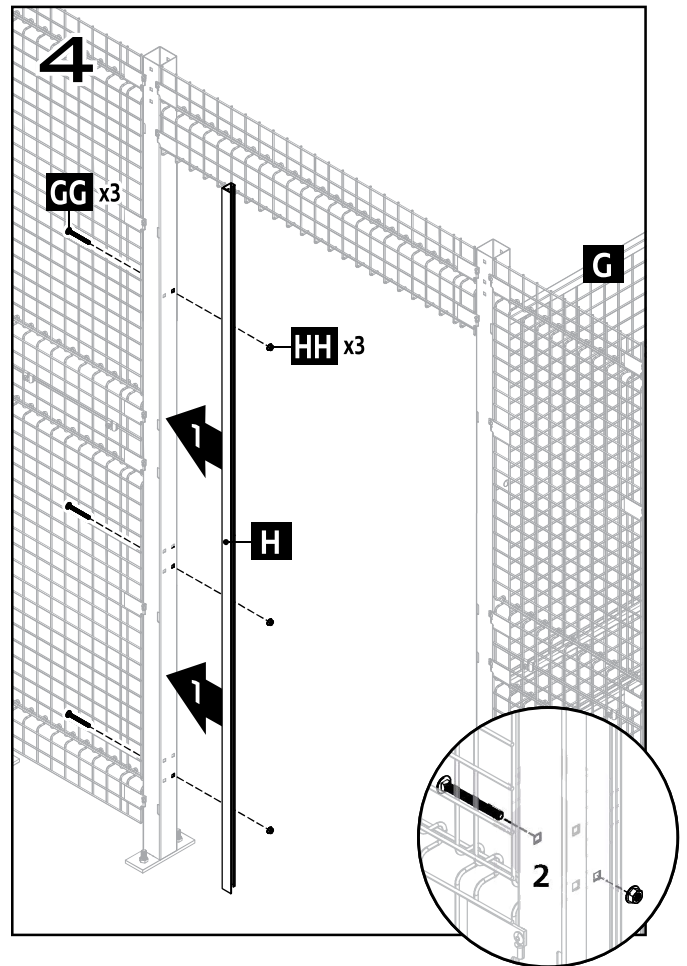


On the **inside** of posts, install transom (F). Insert drive pins (CC) into transom panel (F) clips. Use a hammer to fully install drive pins (CC).

# SINGLE SWING DOOR INSTALLATION

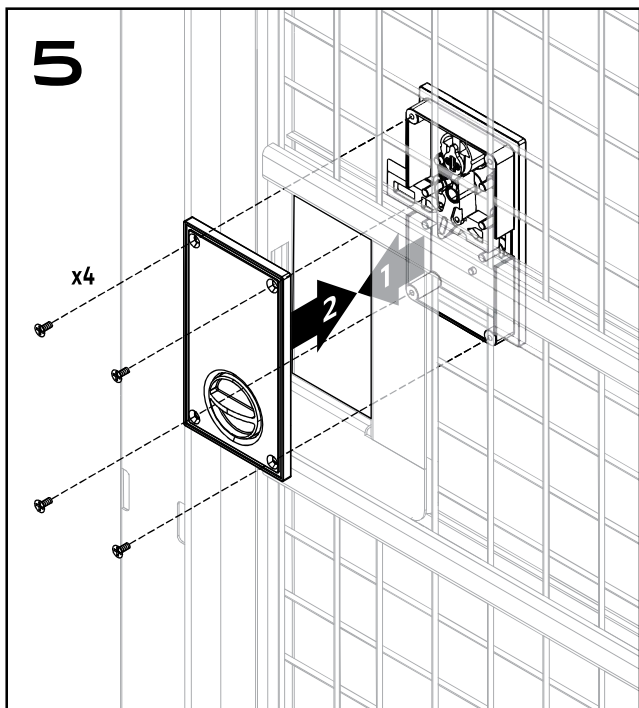


After opening hinge assembly 90°, install the door panel (G) to outer post holes using carriage bolts (GG) and nuts (HH).



Install the strike bar (H) to the post opposite of the door panel (G) using carriage bolts (GG) and nuts (HH).

**Note:** Use outer post holes for installation of strike bar.



See detailed lock instructions provided with lock.



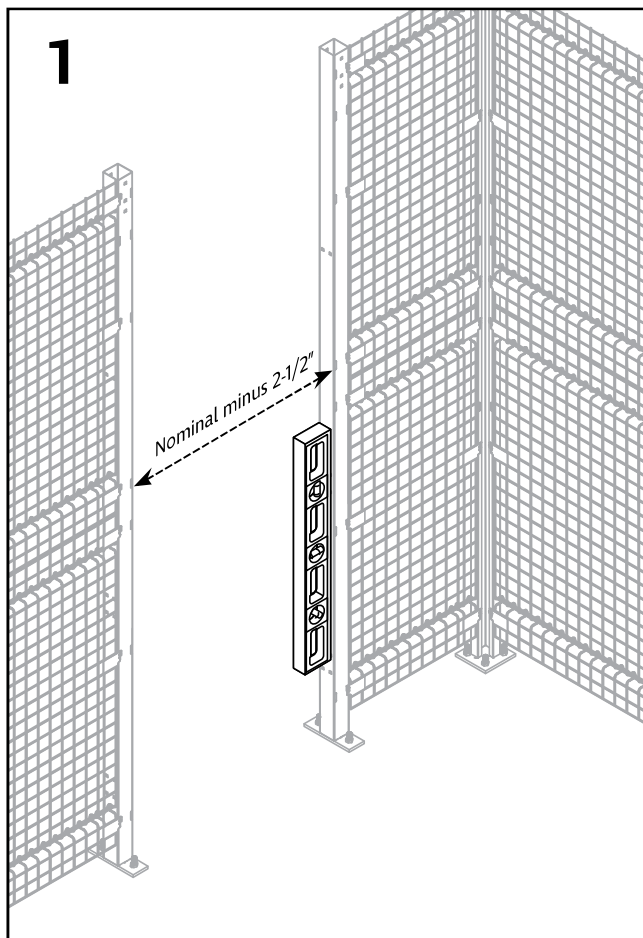
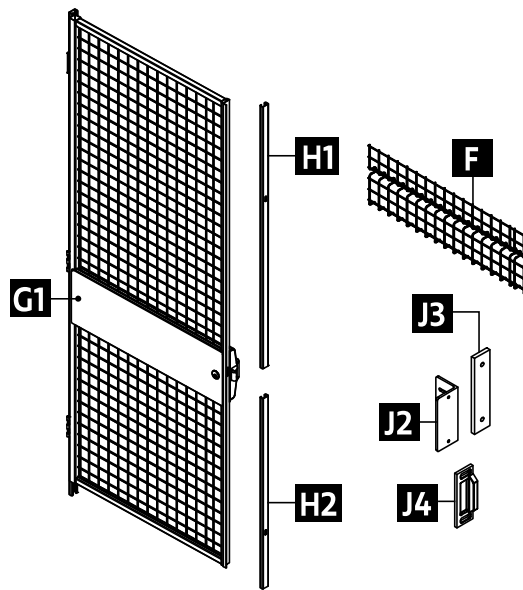
# SINGLE SWING DOOR WITH PANIC BAR INSTALLATION

## Materials List

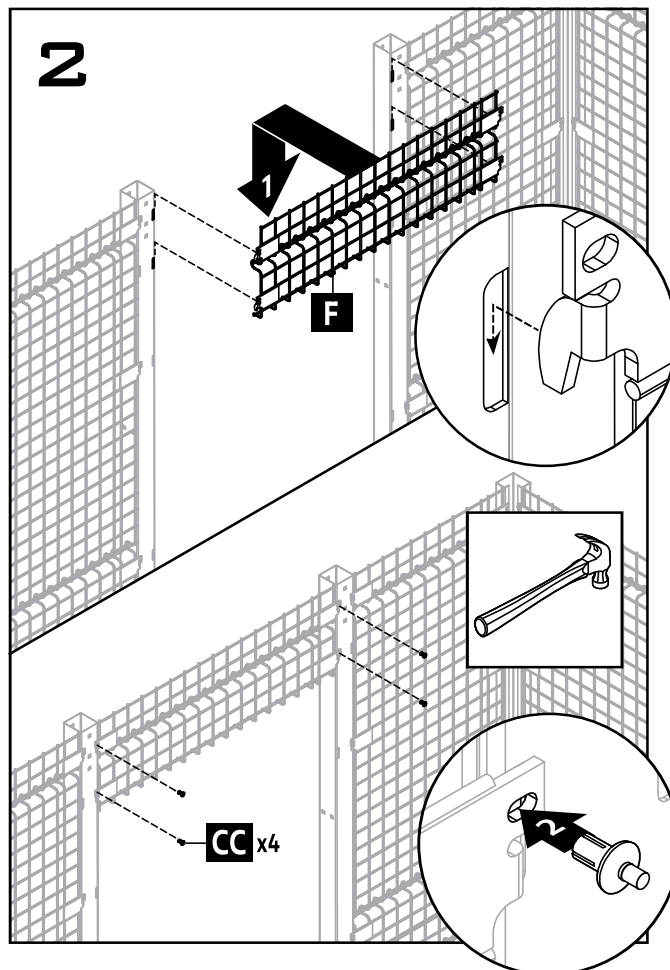
- F. Transom
- G1. Door Panel with Panic Bar
- H1. Top Strike Bar (Long)
- H2. Bottom Strike Bar (Short)
- J2. L-bracket
- J3. Filler Plate
- J4. Latch Receiver

## Hardware List

- GG. Carriage Bolt (5/16" x 3")
- HH. Nut (5/16")
- OO. Self Drilling Screw (#10-16 x 3/4")
- PP. Flat Head Screw (#10-24 x 5/16")

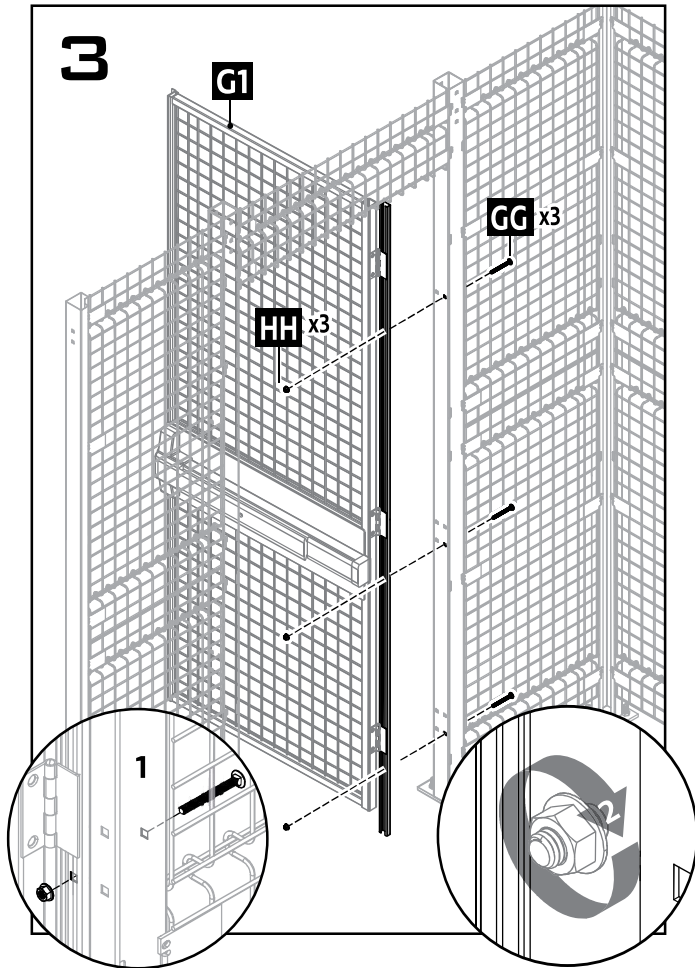


Verify posts being used for door panel with panic bar (G1) are plumb and that the opening is nominal minus 2-1/2\"/>

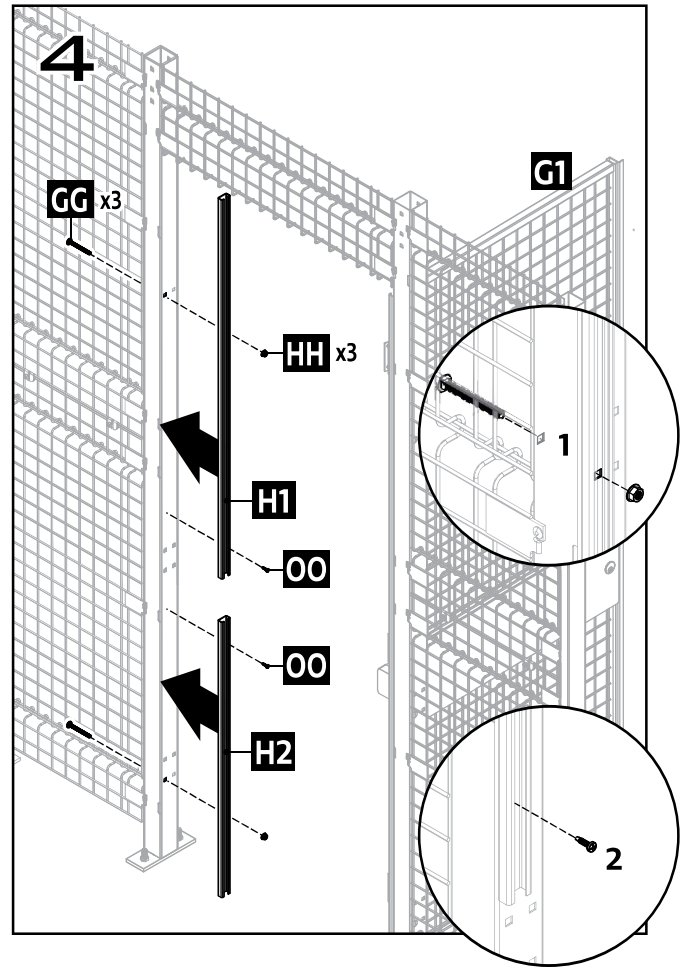


On the inside of posts, install transom (F). Insert drive pins (CC) into transom panel (F) clips. Use a hammer to fully install drive pins (CC).

# SINGLE SWING DOOR WITH PANIC BAR INSTALLATION

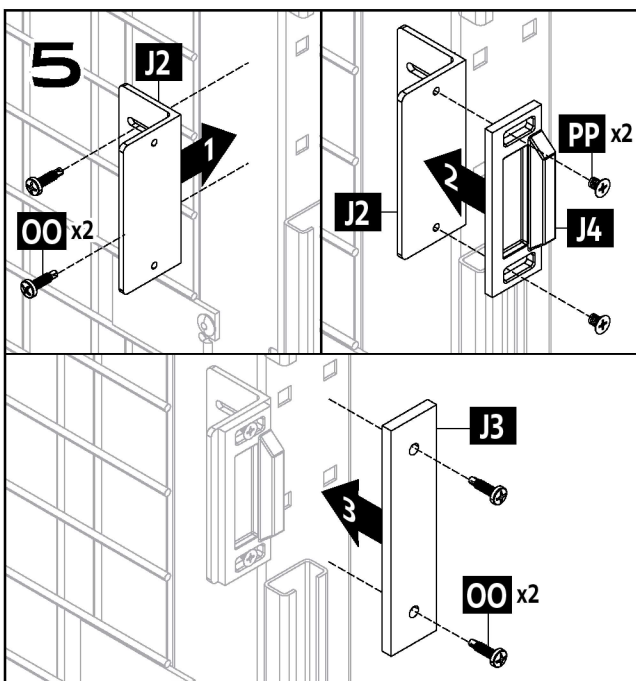


Open hinge assembly 90°, install the door panel with panic bar (G1) to outer post holes using carriage bolts (GG) and nuts (HH).



Install the top strike bar (H1) and bottom strike bar (H2) to opposite of the door panel (G) using carriage bolts (GG), nuts (HH) and self-drilling screws (OO).

**Note:** Use inner post holes for installation of strike bars.



Install the L-bracket (J2) to the post using self-drilling screws (OO).

Next, latch receiver (J4) to L-bracket (J2) using two flat head screws (PP).

Lastly install filler plate (J3) between strike bars using self-drilling screws (OO).

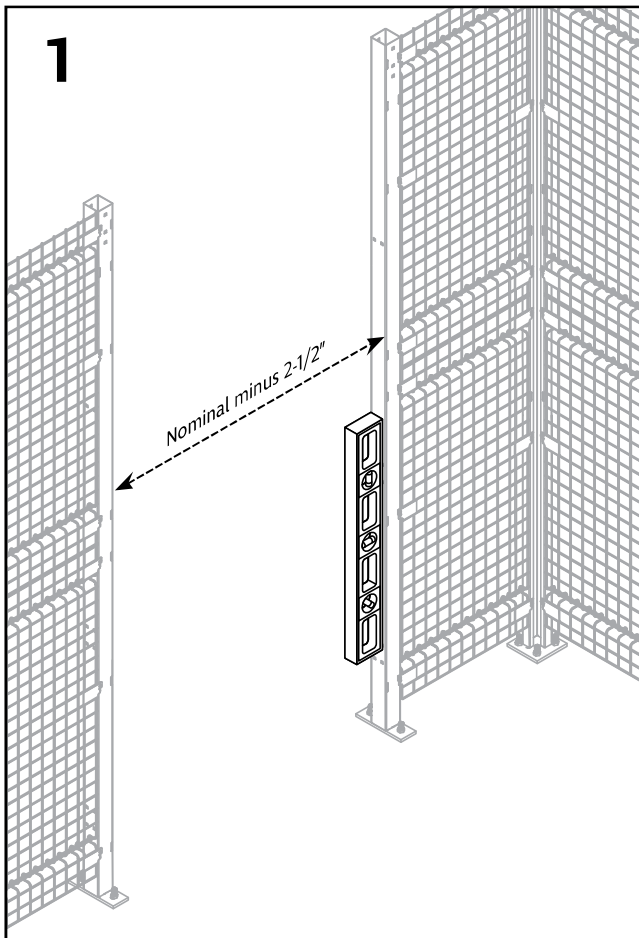
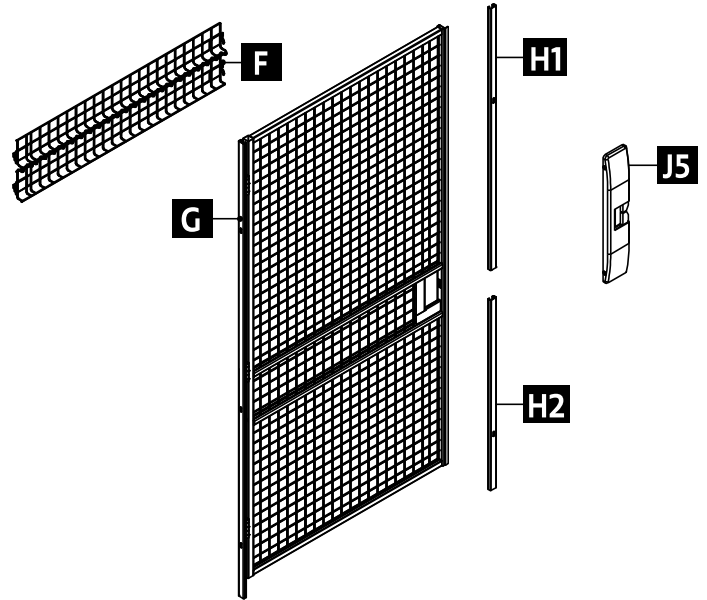
# SINGLE SWING DOOR WITH ELECTRIC STRIKE INSTALLATION

## Parts List

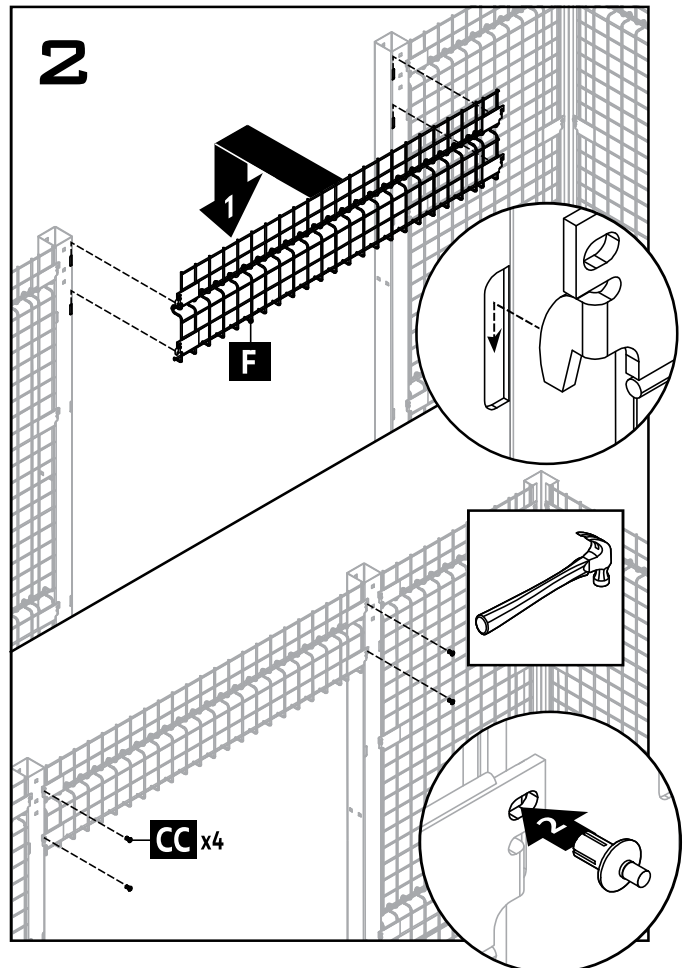
- F. Transom
- G. Door Panel
- H1. Top Strike Bar (Long)
- H2. Bottom Strike Bar (Short)
- J5. Electric Strike

## Hardware List

- CC. Drive Pins
- GG. Carriage Bolt (5/16" x 3")
- HH. Nut (5/16")
- OO. Self Drilling Screw (#10-16 x 3/4")

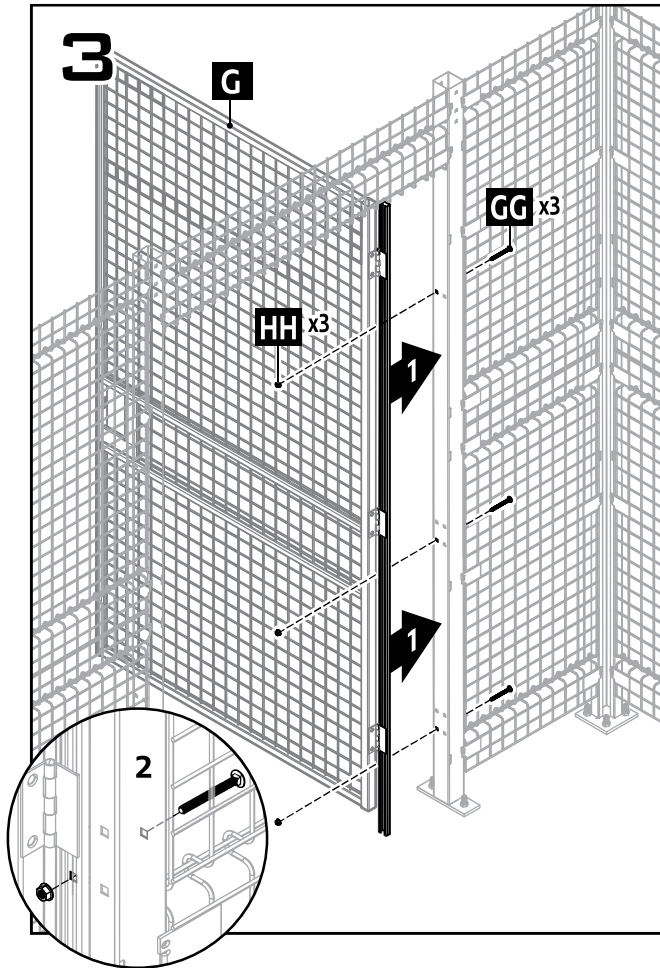


Verify posts being used for door panel (G) are plumb and that the opening is nominal minus 2-1/2\".

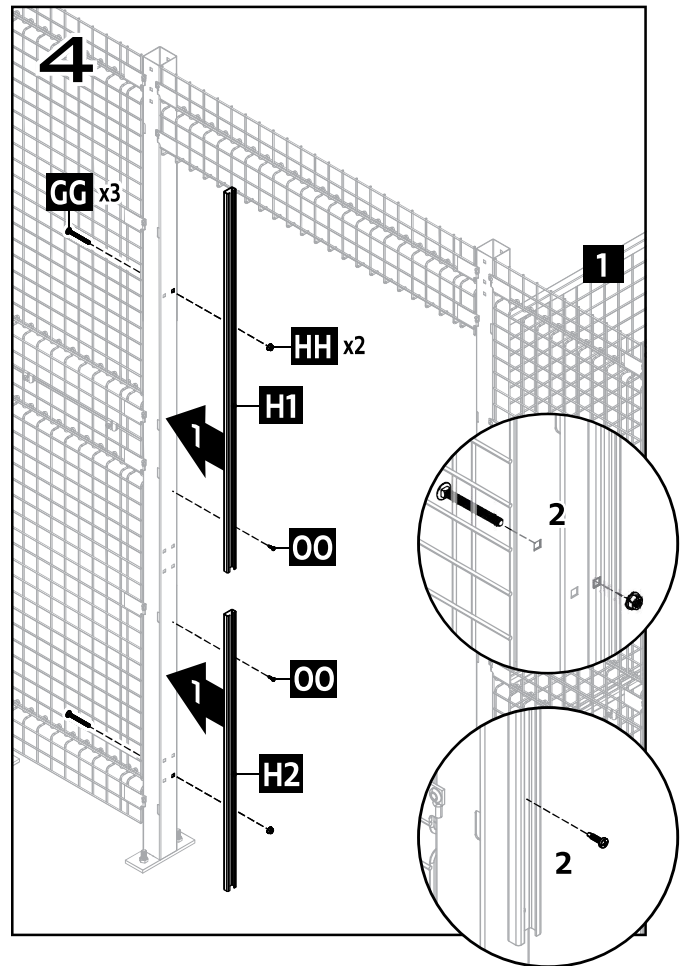


On the **inside** of posts, install transom (F). Insert drive pins (CC) into transom panel (F) corner clips. Use a hammer to fully install drive pins (CC).

# SINGLE SWING DOOR WITH ELECTRIC STRIKE INSTALLATION

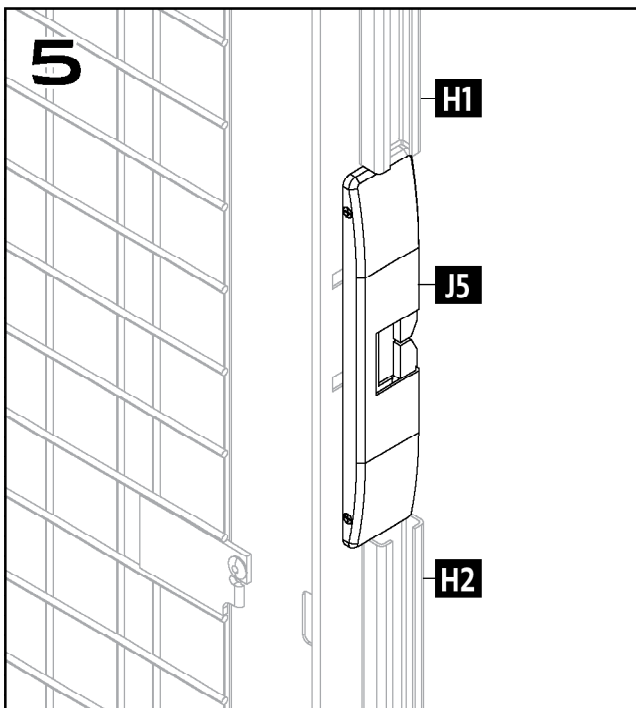


After opening hinge assembly 90°, install the door panel (G) to **outer** post holes using carriage bolts (GG) and nuts (HH).



Install the top strike bar (H1) and bottom strike bar (H2) to opposite of the door panel (G) using carriage bolts (GG), nuts (HH) and self-drilling screws (OO).

**Note:** Use outer post holes for installation of strike bar.



Remove cover from the electric strike (J5) and install electric strike (J5) to the post between top and bottom strike bars (H1, H2) using self-drilling screws (OO).



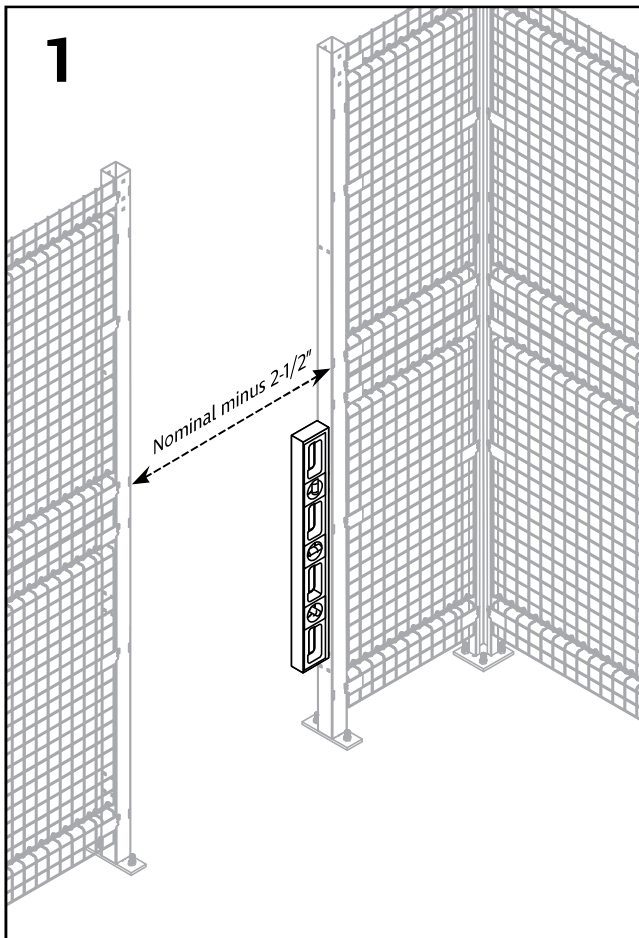
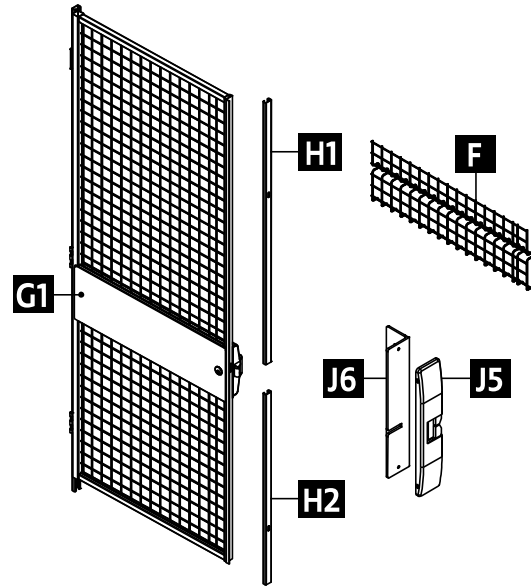
# SWING DOOR WITH PANIC BAR AND ELECTRIC STRIKE INSTALLATION

## Materials List

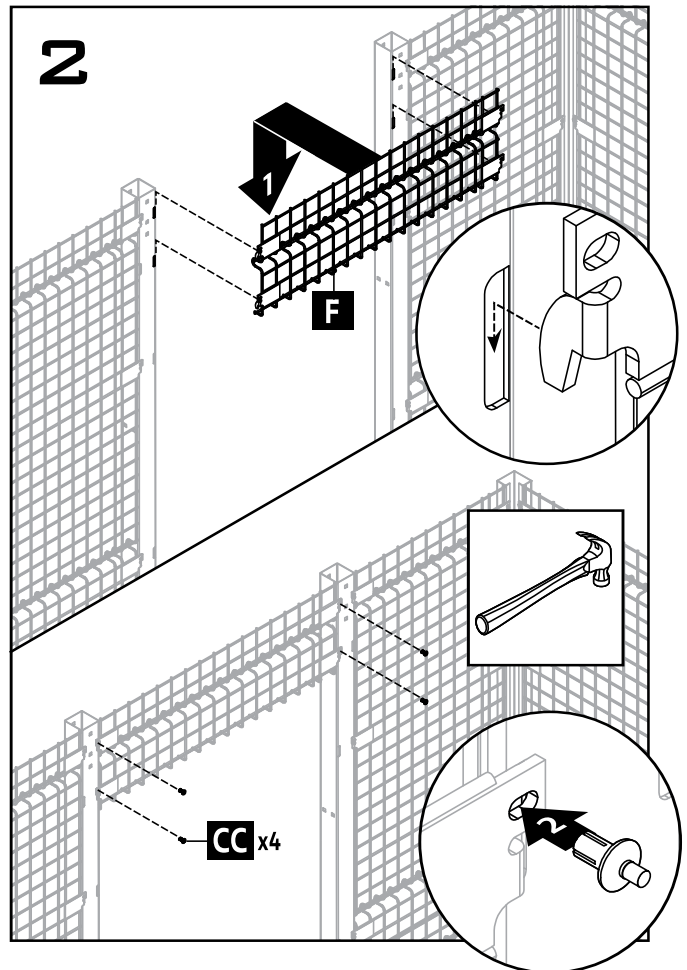
- F. Transom
- G1. Door Panel with Panic Bar
- H1. Top Strike Bar (Long)
- H2. Bottom Strike Bar (Short)
- J5. Electric Strike
- J6. Angle Bracket

## Hardware List

- GG. Carriage Bolt (5/16" x 3")
- HH. Nut (5/16")
- OO. Self Drilling Screw (#10-16 x 3/4")
- PP. Flat Head Screw (#10-24 x 5/16")

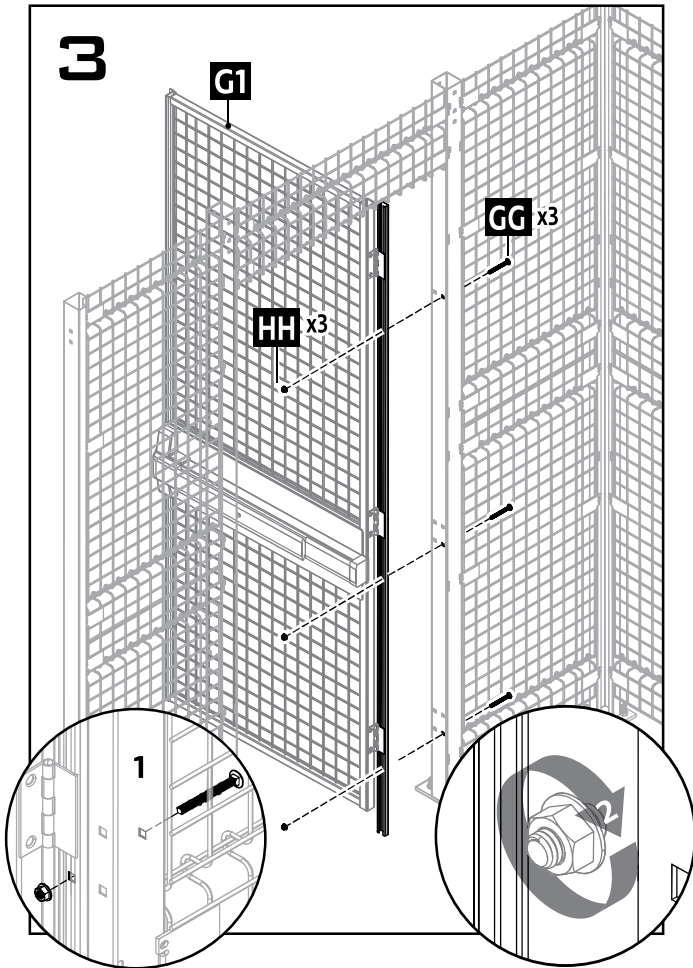


Verify posts being used for door panel with panic bar (G1) are plumb and that the opening is nominal minus 2-1/2\"/>

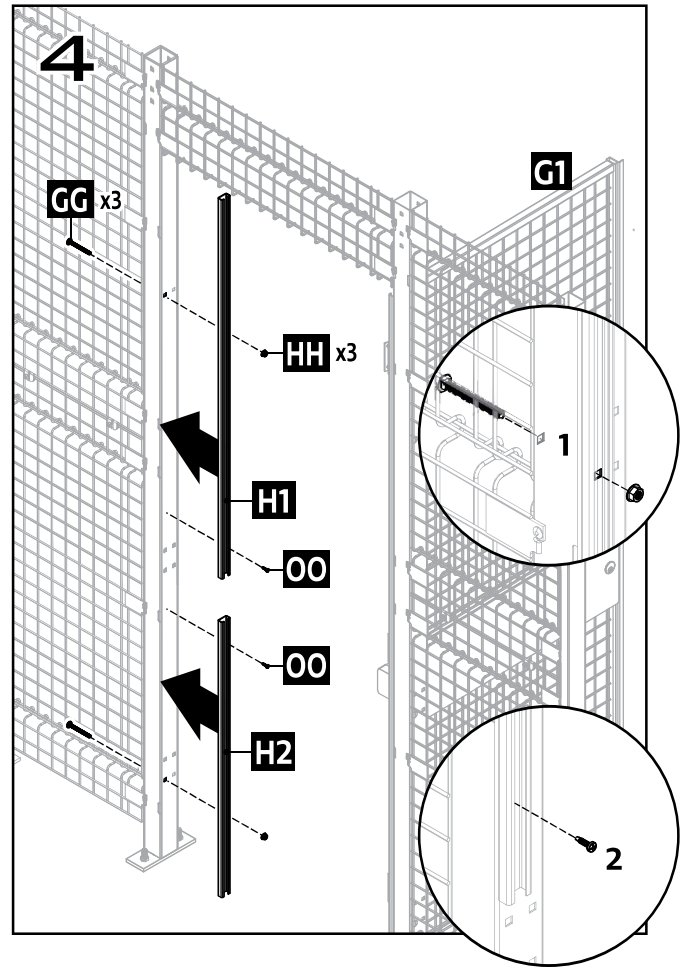


On the inside of posts, install transom (F). Insert drive pins (CC) into transom panel (F) corner clips. Use a hammer to fully install drive pins (CC).

# SWING DOOR WITH PANIC BAR AND ELECTRIC STRIKE INSTALLATION

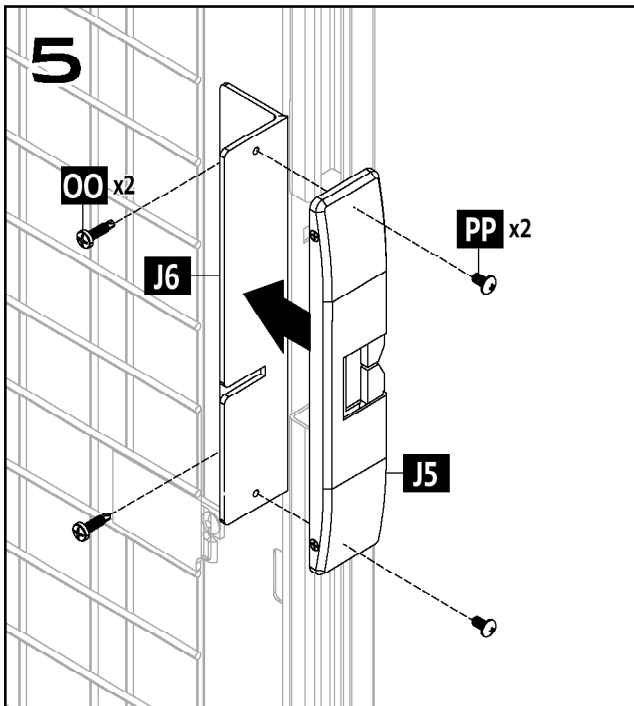


Open hinge assembly 90°, install the door panel with panic bar (G1) to inner post holes using carriage bolts (GG) and nuts (HH).



Install the top strike bar (H1) and bottom strike bar (H2) to opposite of the door panel (G) using carriage bolts (GG), nuts (HH,) and self-drilling screws (OO).

**Note:** Use inner post holes for installation of strike bars.



Install angle bracket (J6) to back of latch post using self drilling screws (OO). Next install the electric strike (J5) to the angle bracket using flat head phillips screws (PP). Remove cover on electric strike to screw it into the angle bracket.

# SINGLE SWING DOOR HYDRAULIC CLOSER INSTALLATION

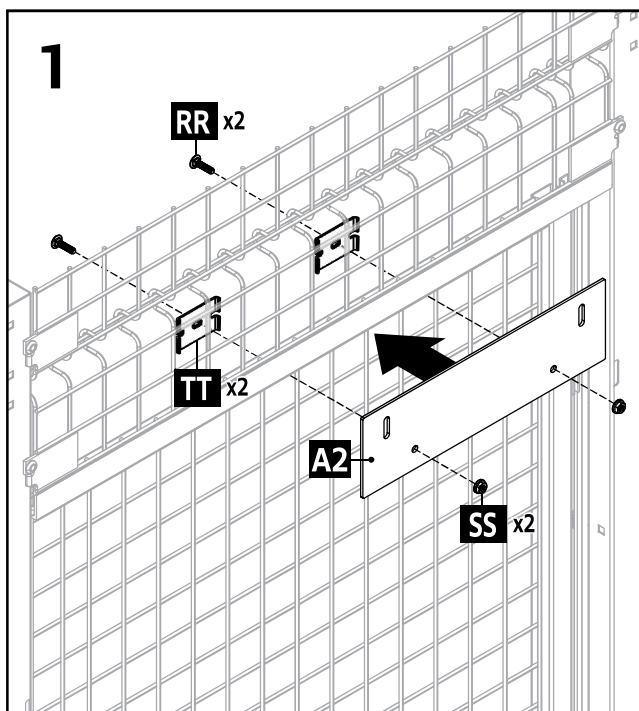
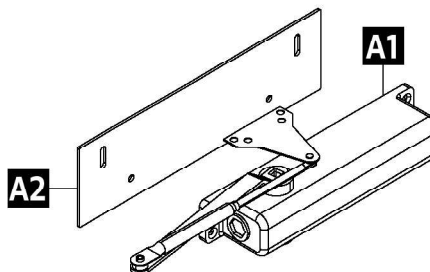
## Materials List

- A1. Hydraulic Closer
- A2. Hydraulic Closer Mounting Plate

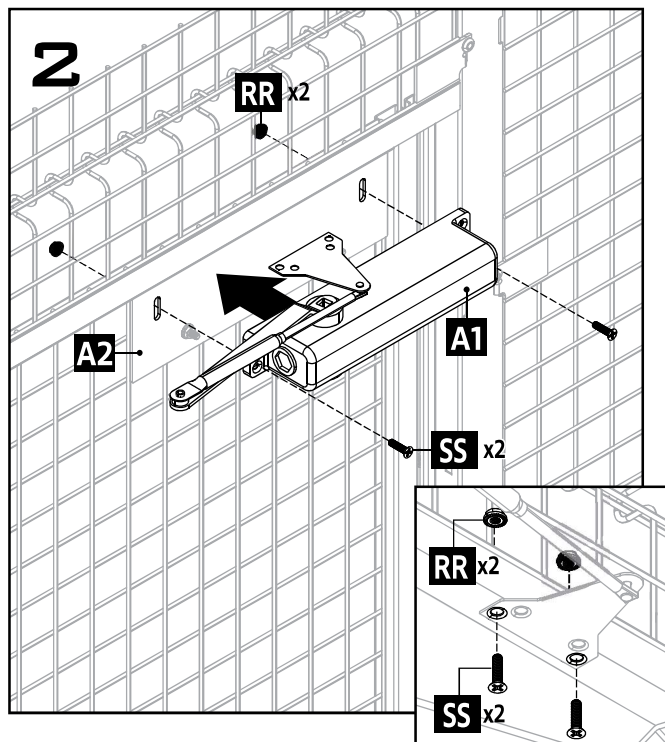
## Hardware List

- RR. Closer Mounting Bolts
- SS. Closer nuts
- TT. Brackets

a



1  
Install hydraulic closer mounting plate (A2) onto the upper inside of the hinge side of door with closer mounting bolts (RR), brackets (TT) and closure nuts (SS).



2  
Mount hydraulic closer (A1) to mounting plate (A2) using slots in plate and using closer mounting bolts (RR), closer nuts (SS). Install the door arm closer plate to the underside of transom panel using closer mounting bolts (RR), closer nuts (SS).

# DOUBLE SWING DOOR INSTALLATION

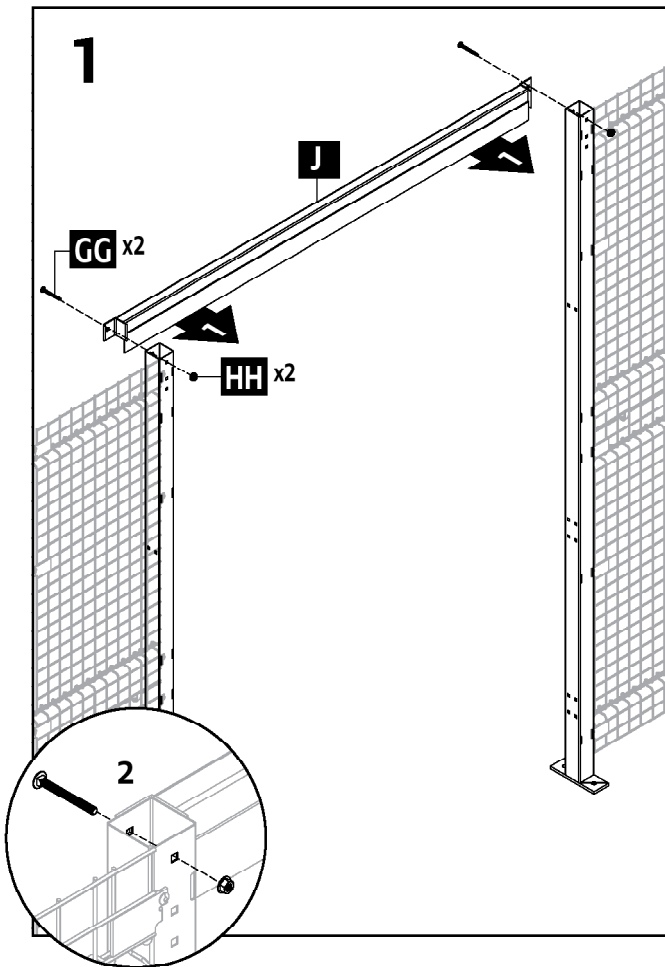
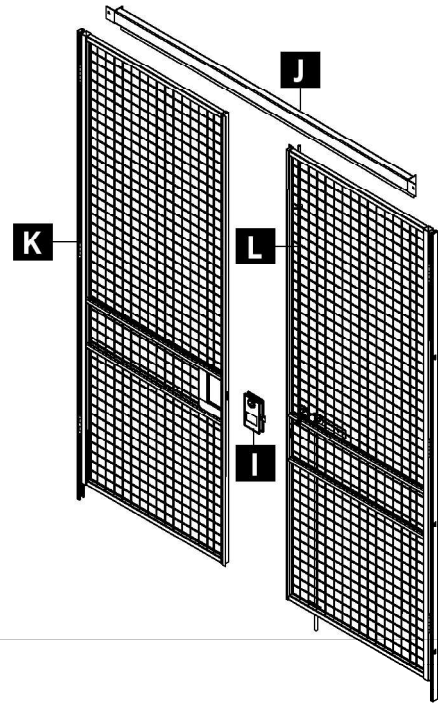
## Double Swing Door

### Materials List

- I. Door Lock
- J. Door Header
- K. Left Door Panel (lock side)
- L. Right Door panel with Cane Bolt (receiver side)

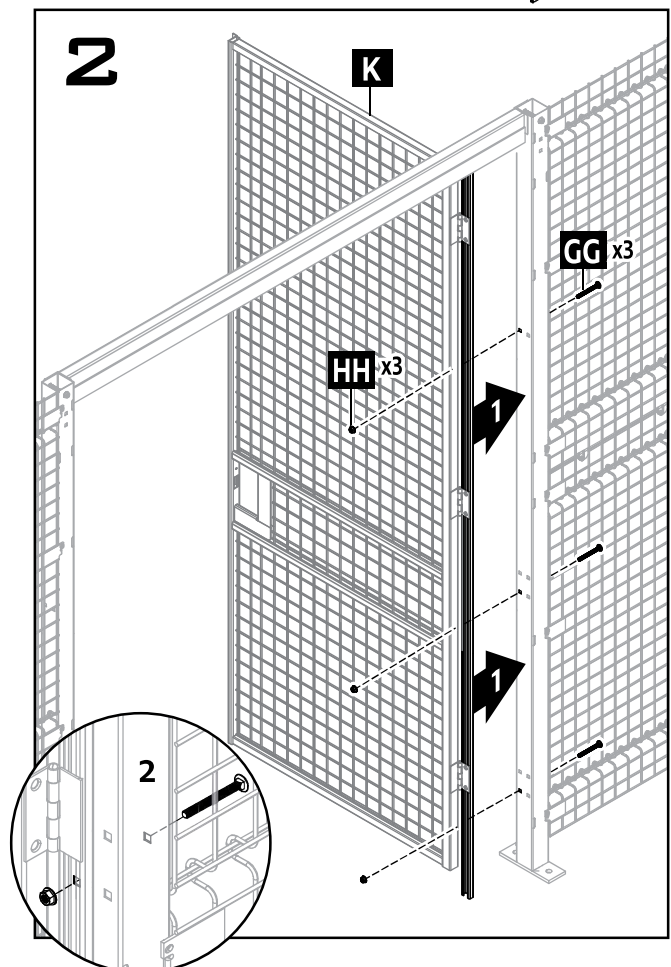
### Hardware List

- GG. Carriage Bolt (5/16" x 3")
- HH. Nut (5/16")



Install door header (J) to top of posts using a carriage bolt (GG) and a nut (HH) at each end.

**Note:** Header bar should be installed opposite the swing of the door (example: If door is swinging to outside of cage, header bar needs to be installed on inside of posts).

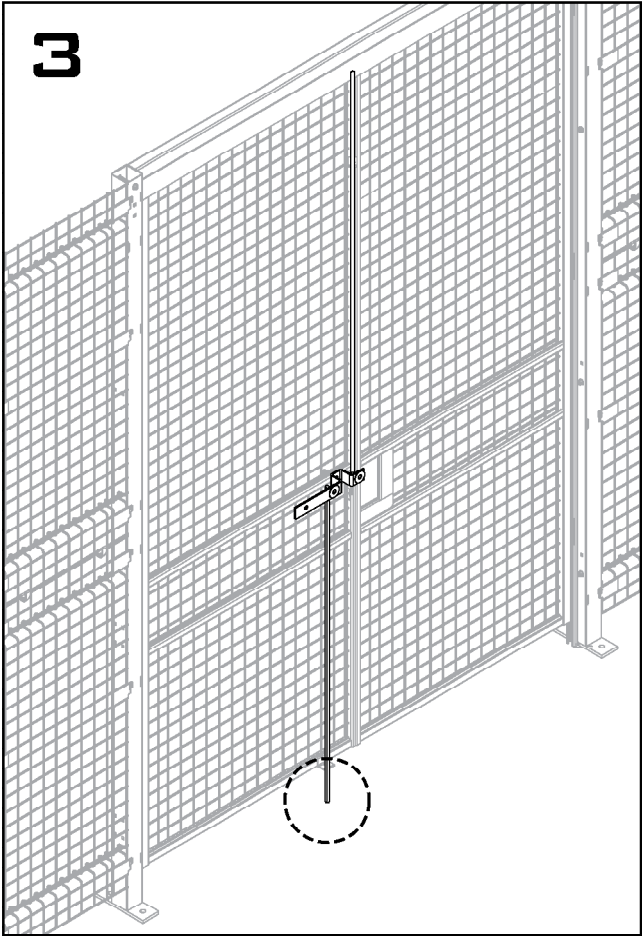


Install left door panel (K) using carriage bolts (GG) and nuts (HH).

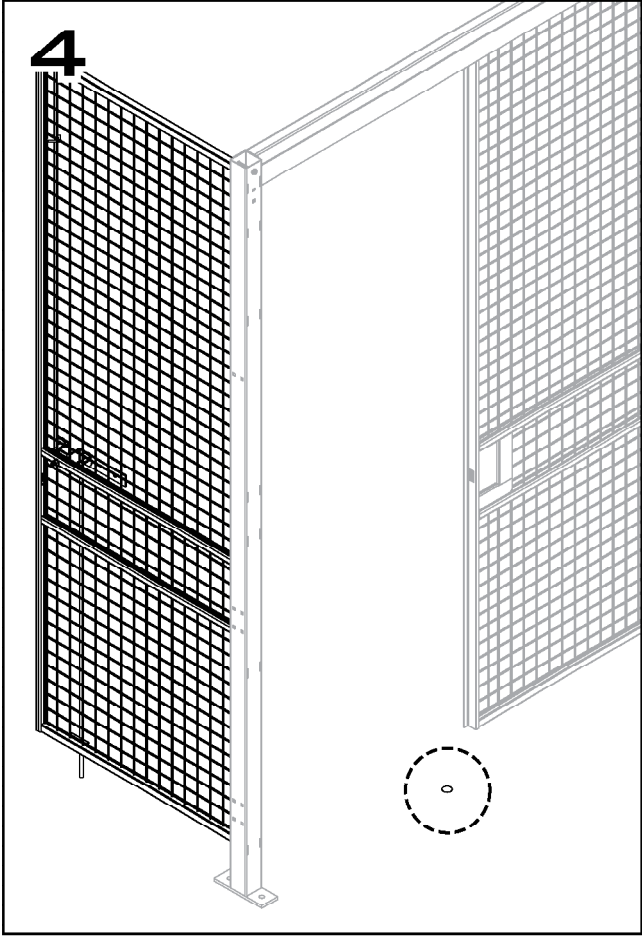
Repeat for right door panel with cane bolt (L).



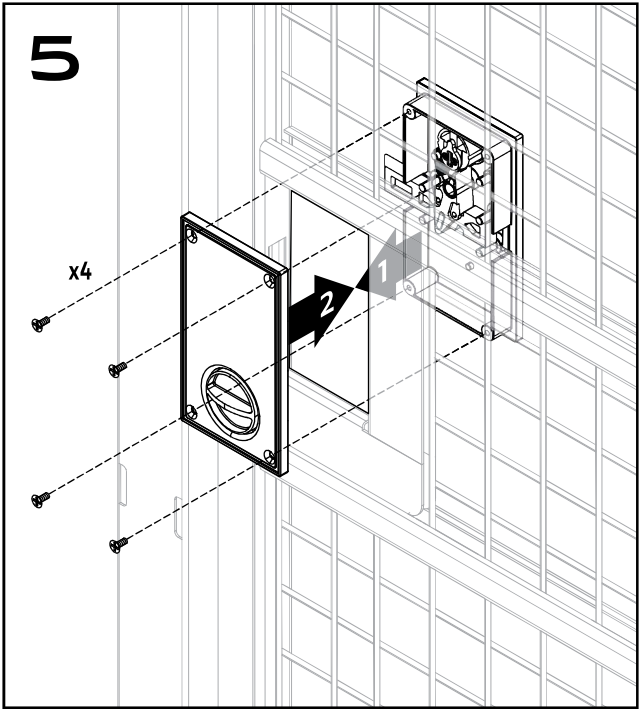
# DOUBLE SWING DOOR INSTALLATION



From inside of assembly, mark cane position.



Open right door panel with cane bolt (J) and drill a 1/2" diameter x 2" deep hole at marked location.



See detailed door lock instructions provided with lock.

# SLIDE DOOR INSTALLATION

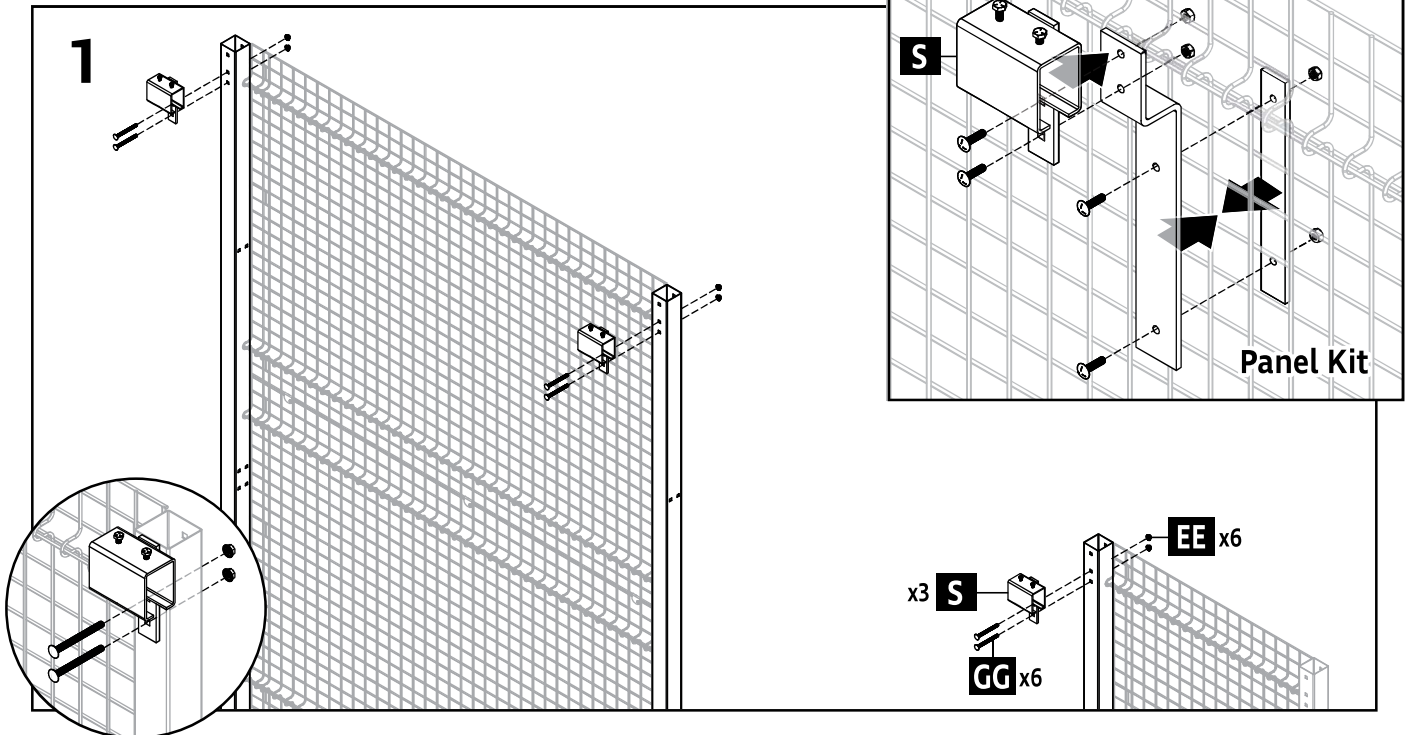
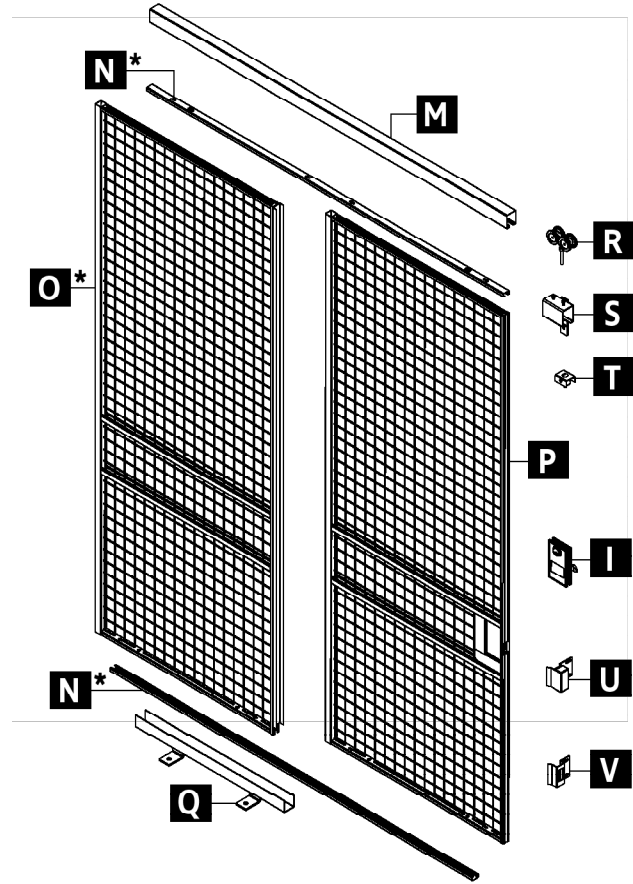
## Materials List

- |                         |                     |
|-------------------------|---------------------|
| I. Door Lock            | R. Trolley          |
| M. Door Track           | S. Track Hanger     |
| N. Splice Bar (2)*      | T. Door Stop        |
| O. Door Panel*          | U. Latch Receiver   |
| P. Door Panel with Lock | V. Bottom Door Slam |
| Q. Floor Guide          |                     |

\*Only supplied (needed) for doors wider than 5'.

## Hardware List

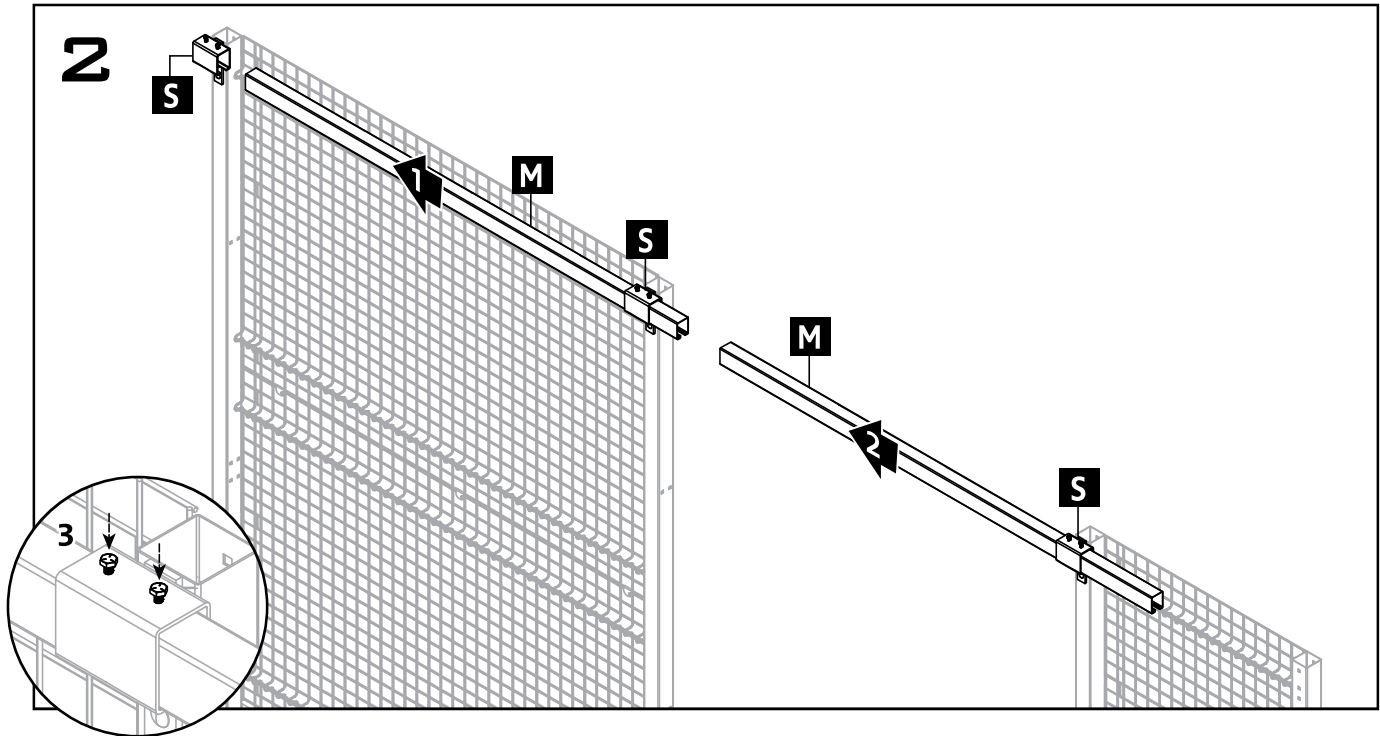
- AA. Floor Anchor
- BB. Floor Anchor Nut
- DD. Carriage Bolt (5/16" x 3")
- EE. Nut (5/16")
- GG. Carriage bolt (5/16" x 3 1/2")
- HH. Carriage bolt (1/4" X 1")
- II. Carriage bolt (1/4" X 1 3/4")
- JJ. Nut (1/4")
- KK. Door Stop Washer
- LL. Door Stop Nut



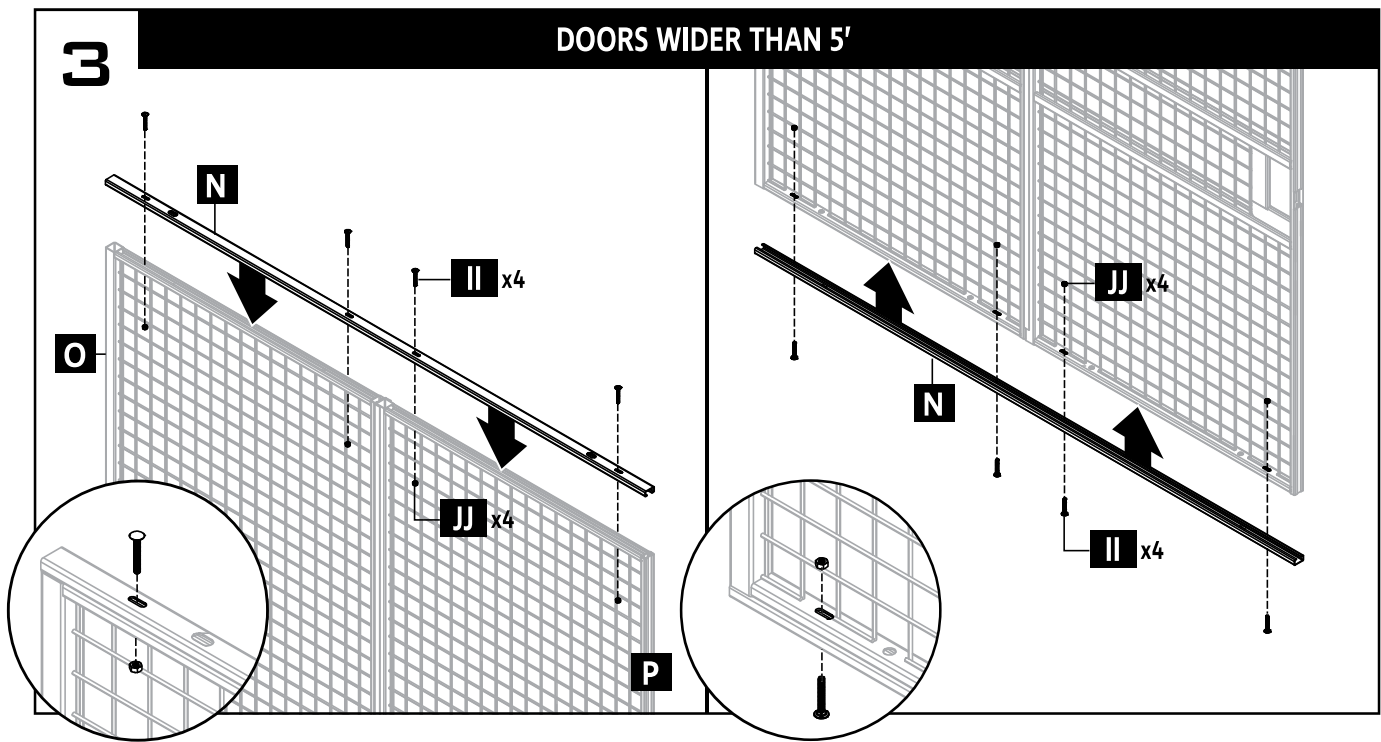
Attach track hangers (S) to posts using carriage bolts (GG) and nuts (EE).

**Note:** If track lands in the middle of a panel a panel kit will be required to secure track.

# SLIDE DOOR INSTALLATION

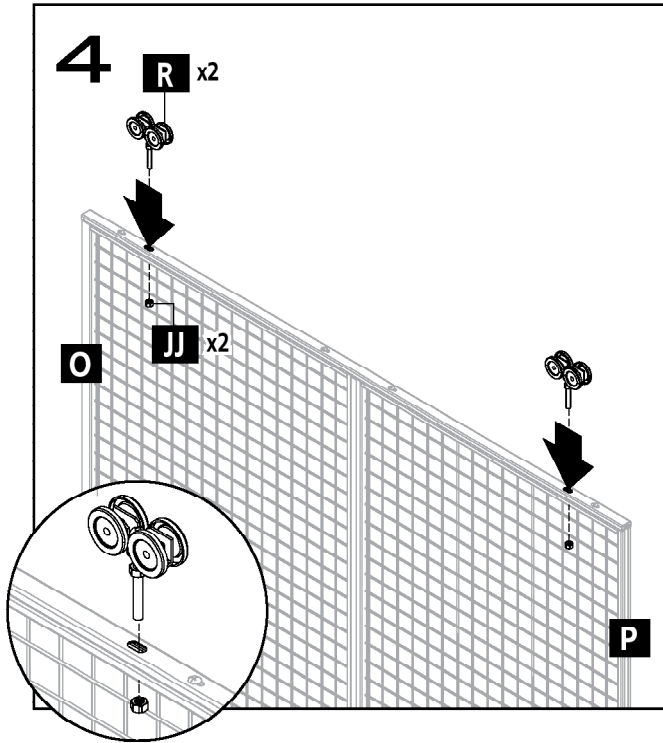


Insert track (M) into brackets (S). Secure tracks by tightening hex head bolts on top of track brackets (S).

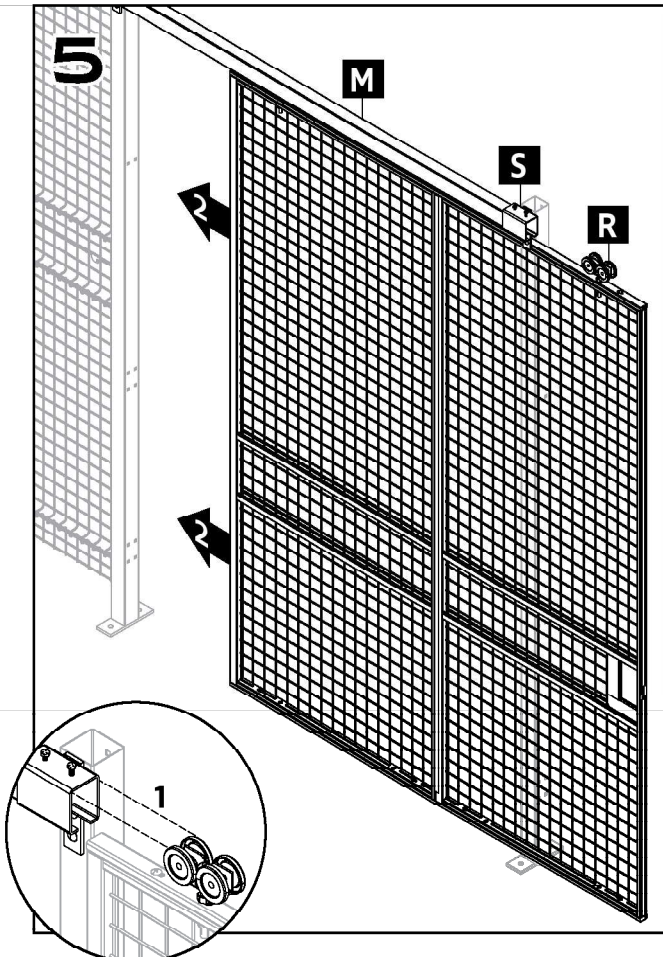


Install a door splice (N) to top and bottom of door panels (O, P). Secure with carriage bolts (II) and nuts (JJ).

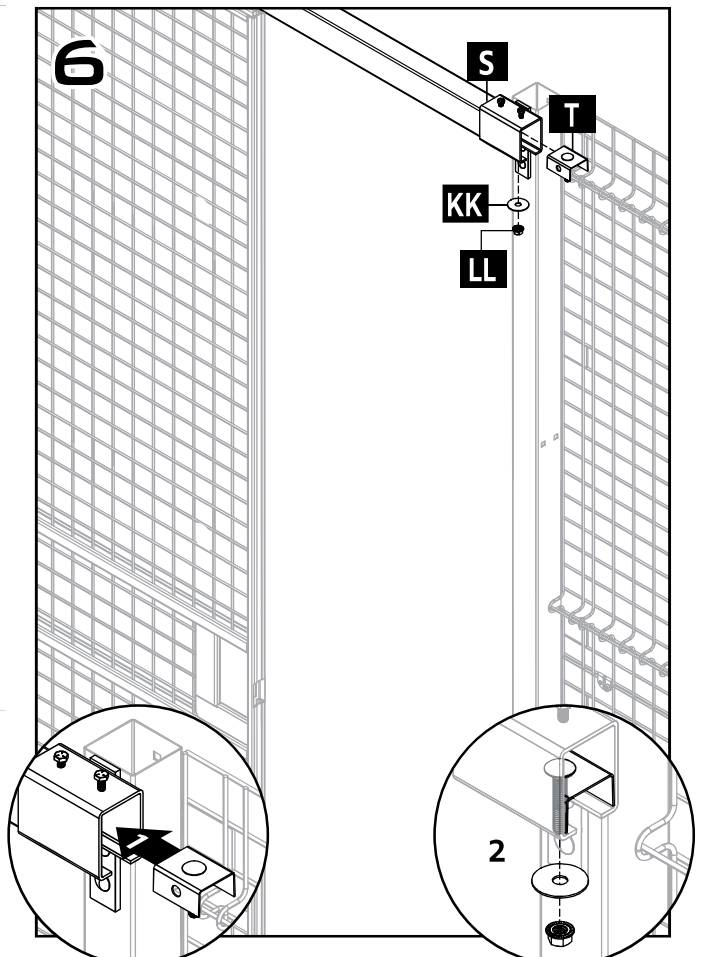
# SLIDE DOOR INSTALLATION



Install trolleys (R) to top of door panels (O, P) and secure with nuts (JJ).



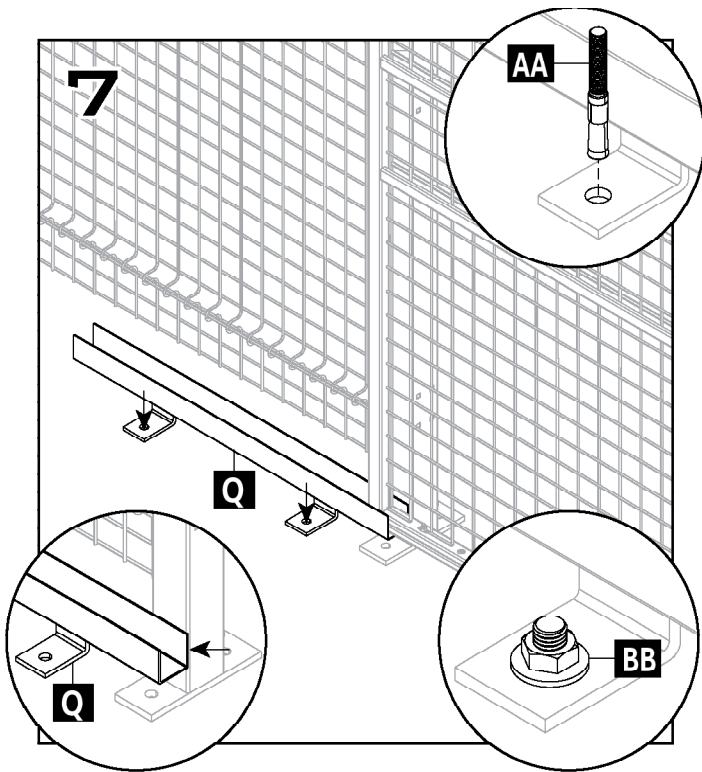
Align door trolleys (R) with hangers (S) and track (M), and then slide door assembly into track (M).



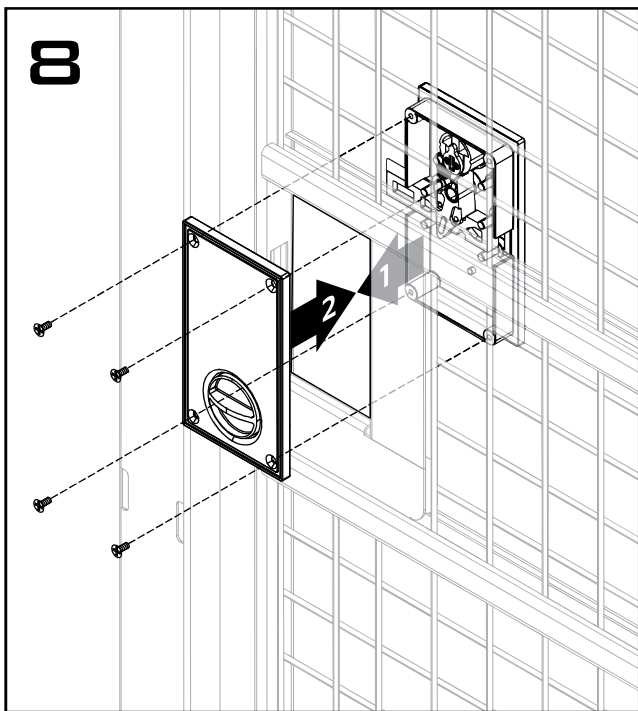
Leave door assembly in middle of track. Install a door stop (T), securing with door stop washer (KK) and nut (LL) at both ends of track (M).



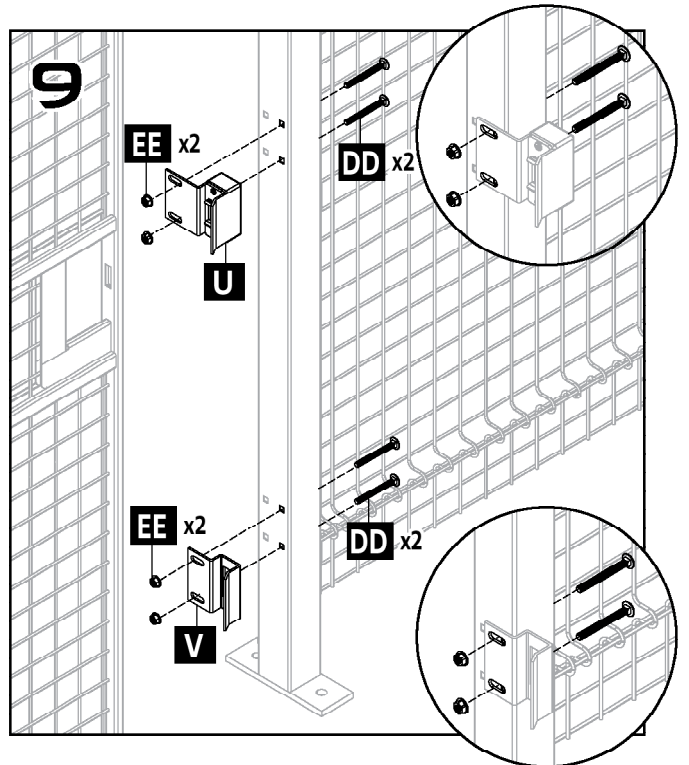
# SLIDE DOOR INSTALLATION



Place floor guide (Q) into position flush to inside of the post. Mark and then drill holes for floor anchors (AA). Using a hammer, install floor anchors (AA). Install anchor nuts (BB) to secure floor guide (Q).



See detailed lock instructions provided with lock.



Install latch receiver (U) using carriage bolts (DD) and nuts (EE). Install bottom door slam (V) using carriage bolts (DD) and nuts (EE).

# DOUBLE SLIDE DOOR INSTALLATION

## Materials List

- |                                |                                       |
|--------------------------------|---------------------------------------|
| <b>I.</b> Door Lock            | <b>P2.</b> Door Panel with Crane Bolt |
| <b>M.</b> Door Track           | <b>Q.</b> Floor Guide                 |
| <b>N.</b> Splice Bar (4)*      | <b>R.</b> Trolley                     |
| <b>O.</b> Door Panel*          | <b>S.</b> Track Hanger                |
| <b>P.</b> Door Panel with Lock | <b>T.</b> Door Stop                   |

\*Only supplied (needed) for doors wider than 5'.

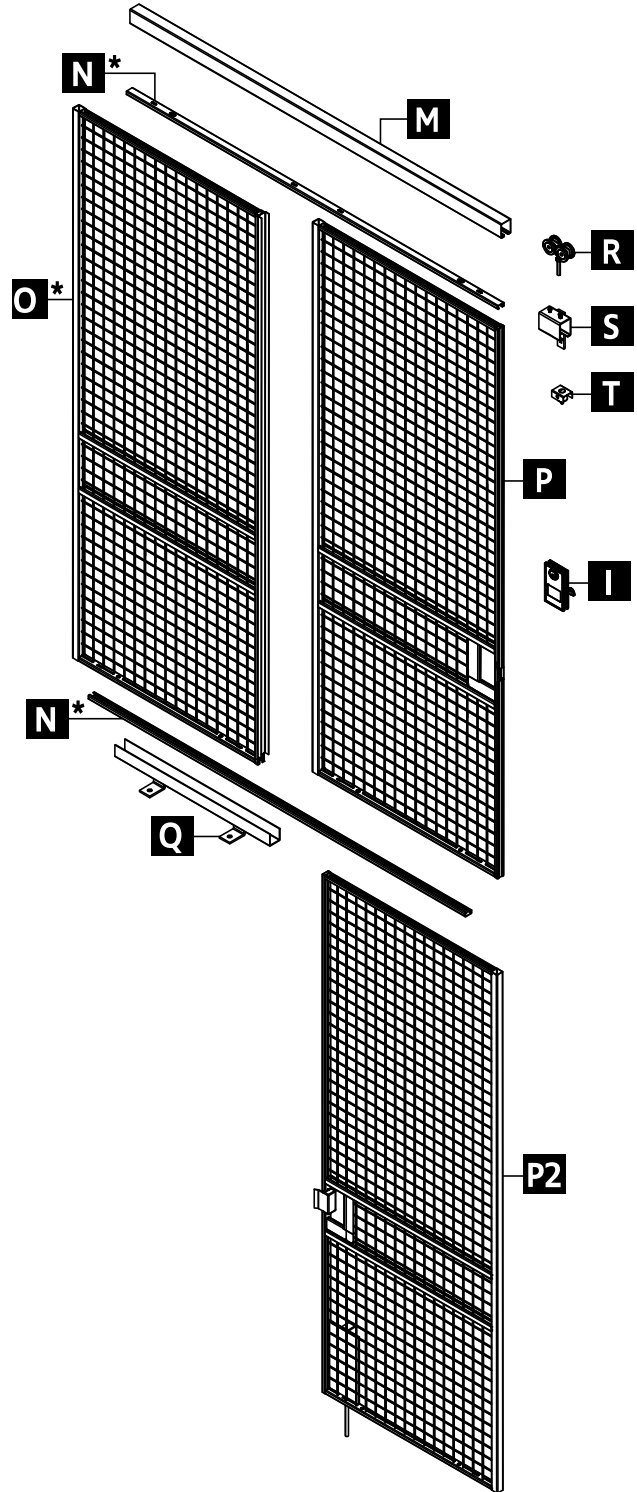
## Hardware List

- AA.** Floor Anchor
- BB.** Floor Anchor Nut
- DD.** Carriage Bolt (5/16" x 3" )
- EE.** Nut (5/16")
- GG.** Carriage bolt (5/16" x 3 1/2")
- HH.** Carriage bolt (1/4" X 1")
- II.** Carriage bolt (1/4" X 1 3/4" )
- JJ.** Nut (1/4")
- KK.** Door Stop Washer
- LL.** Door Stop Nut

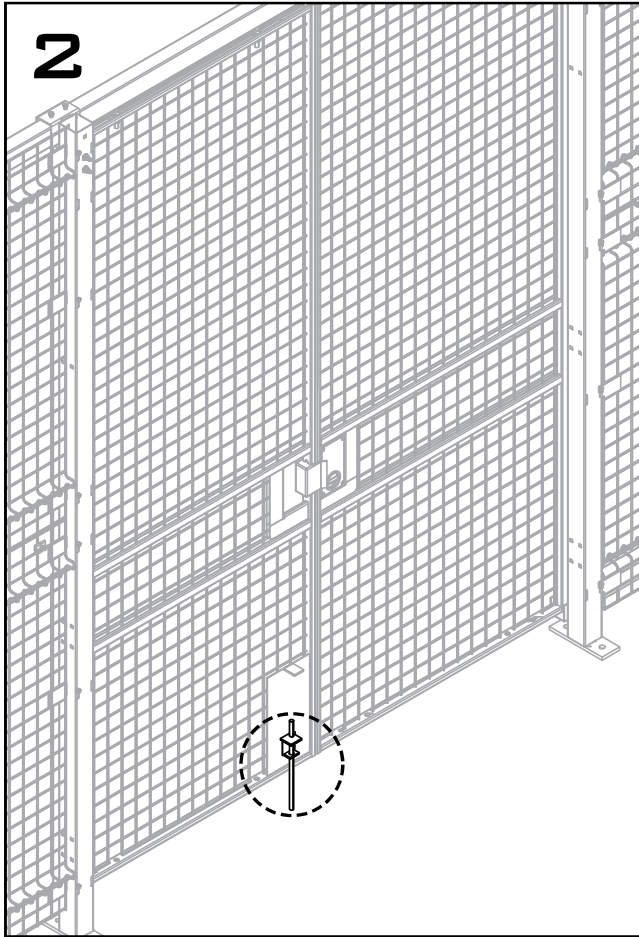
Complete **Steps 1-7 Slide Door Installation** and **Step 1 Slide Door Maglock Installation**.

Repeat **Steps 1-7 Slide Door Installation** using door panel with crane bolt (**P2**). If door installation is wider than 5', also use remaining door panel (**O**).

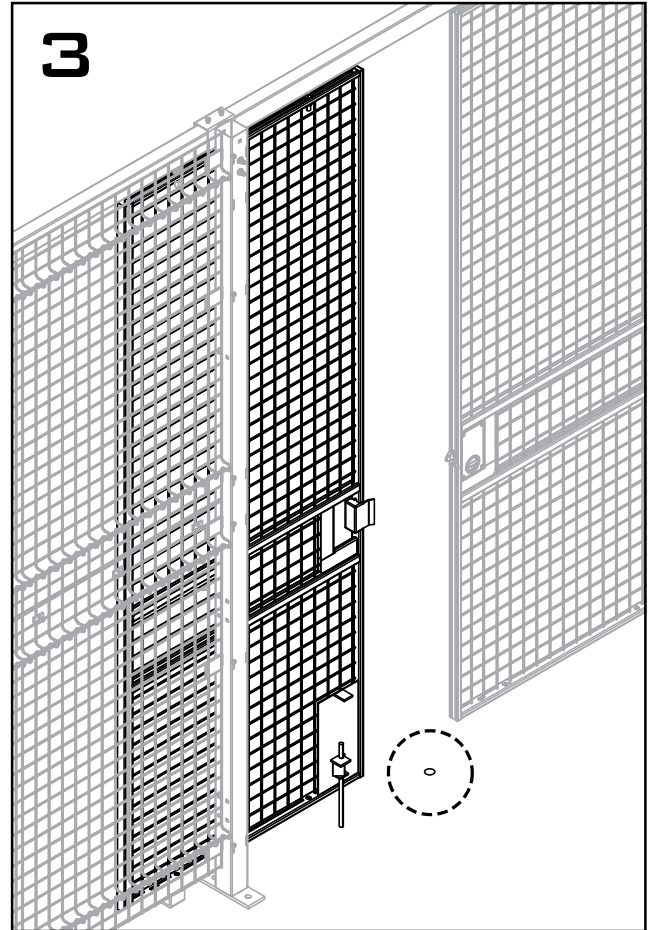
Proceed to **step 2**.



# DOUBLE SLIDE DOOR INSTALLATION



From inside of assembly, mark cane position.



Slide open right door panel with cane bolt (J) and drill a 1/2" diameter x 2" deep hole at marked location.

# TUNNEL DOOR INSTALLATION

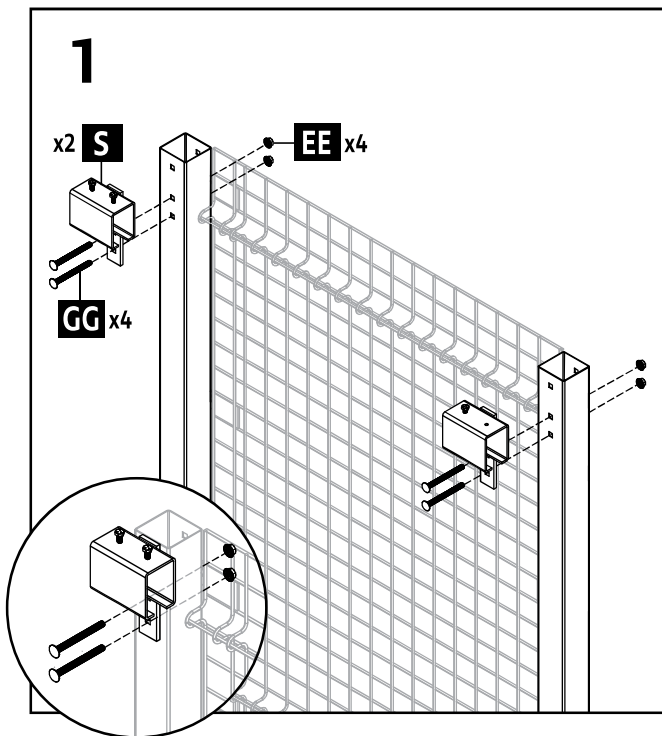
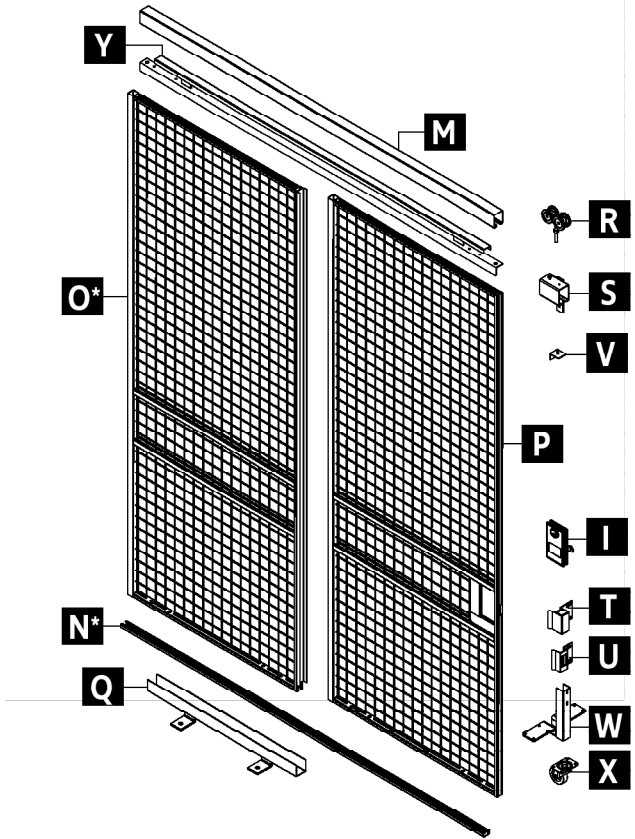
## Materials List

- |                         |                     |
|-------------------------|---------------------|
| I. Door Lock            | S. Track Hanger     |
| M. Door Track           | T. Latch Receiver   |
| N. Splice Bar*          | U. Bottom Door Slam |
| O. Door Panel*          | V. Door Stop        |
| P. Door Panel with Lock | W. Caster Plate     |
| Q. Floor Guide          | X. Caster           |
| R. Trolley              | Y. Top Guide        |

\*Only supplied (needed) for doors wider than 5'.

## Hardware List

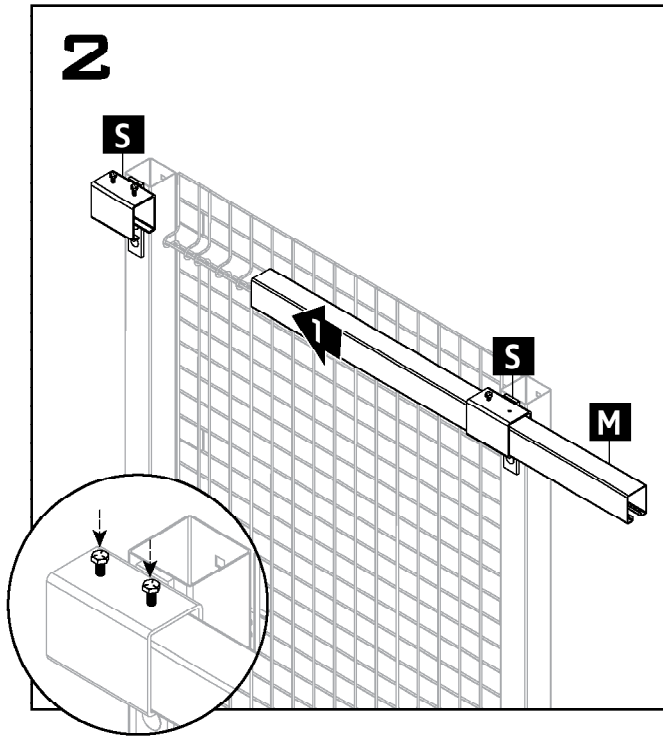
- AA. Floor Anchor
- BB. Floor Anchor Nut
- DD. Carriage Bolt (5/16" x 3")
- EE. Nut (5/16")
- FF. Door Lock Screws
- GG. Carriage Bolt (5/16" x 3 -1/2")
- HH. Carriage Bolt (1/4" X 1")
- II. Hex Head Bolt (1/4" X 1-3/4" )
- JJ. Nut (1/4")
- KK. Door Stop with washer and nut



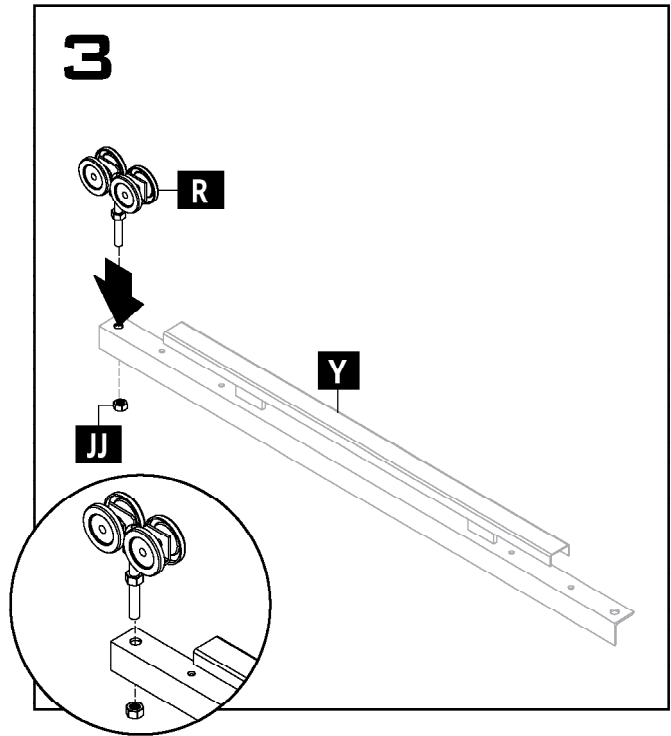
Attach track hangers (S) using carriage bolts (GG) and nuts (EE).

**Note:** If track lands in the middle of a panel a panel kit will be required to secure track.

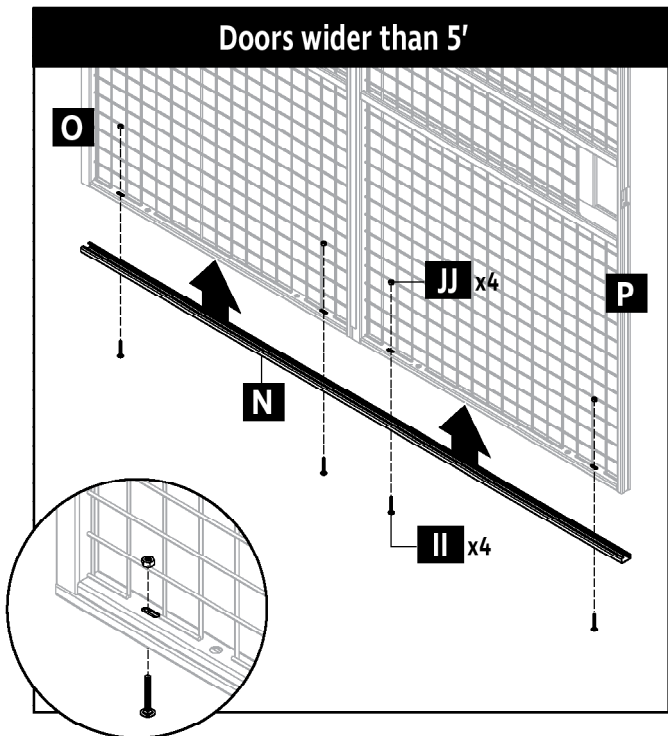
# TUNNEL DOOR INSTALLATION



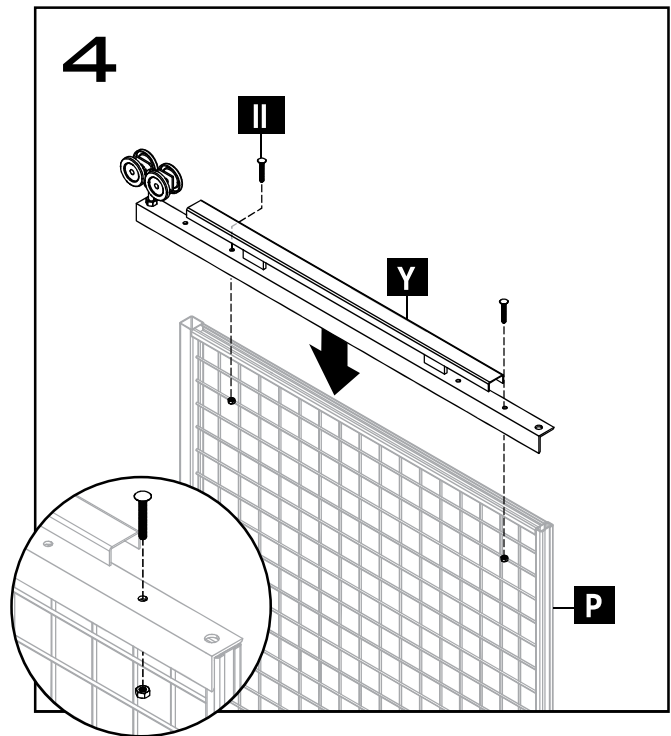
Insert door track (M) into track hangers (S). Secure by tightening hex bolts on top of each track hanger (S).



Attach trolley (R) to top guide (Y) with nut (JJ).

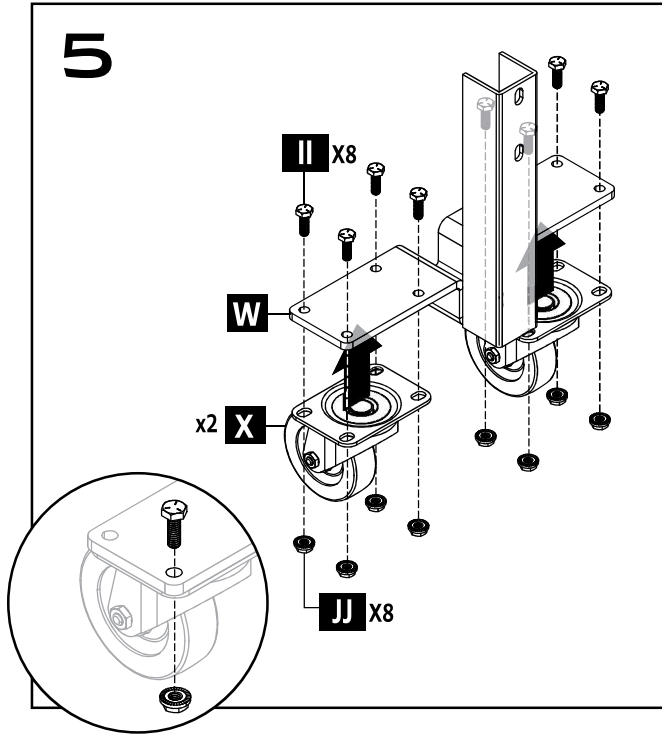


Attach splice bar (N) to bottom of both door panels (O, P) with carriage bolts (II) and nuts (JJ).

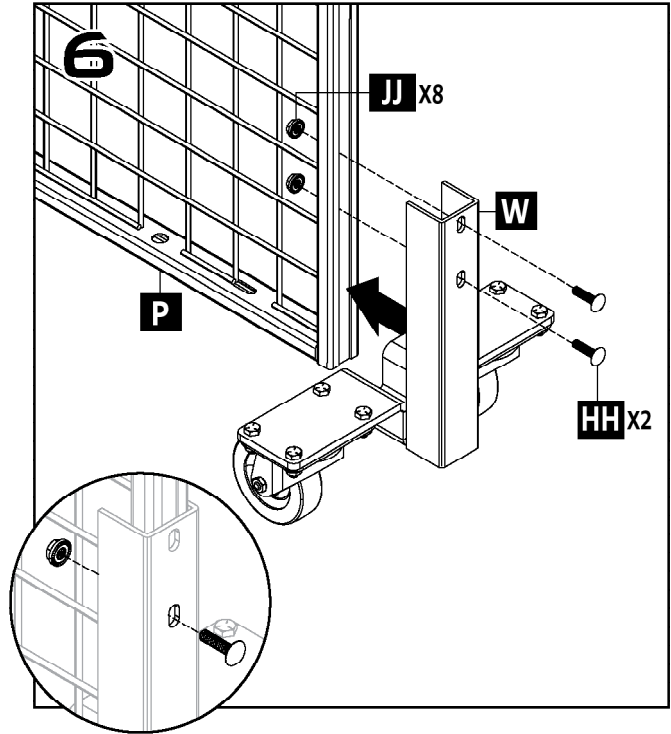


Attach top guide (Y) to top of door panel (P) with carriage bolts (II) and nuts (JJ).

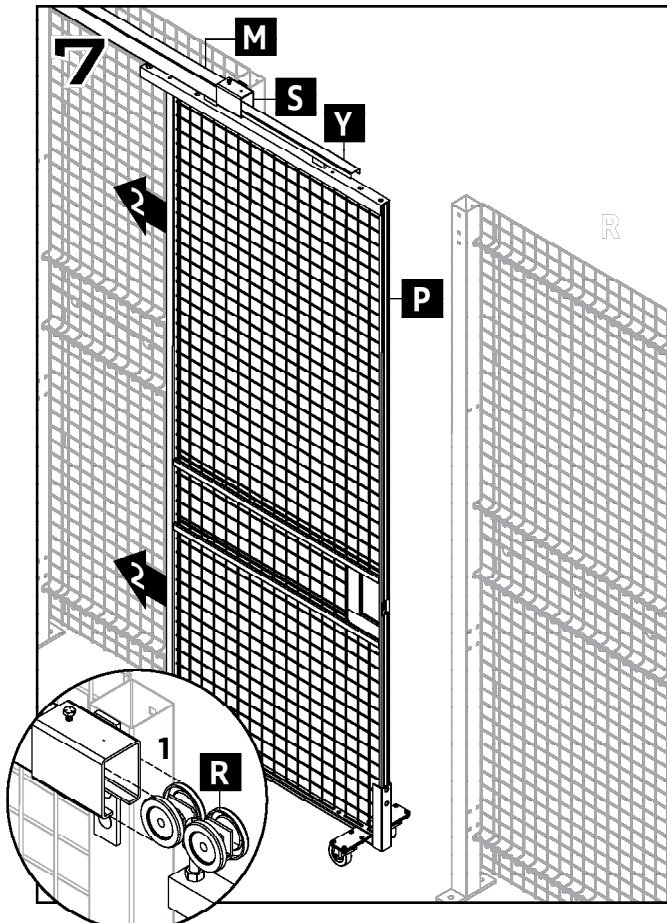
# TUNNEL DOOR INSTALLATION



Attach casters (X) to caster plate (W) using hex head bolts (II) and nuts (JJ).



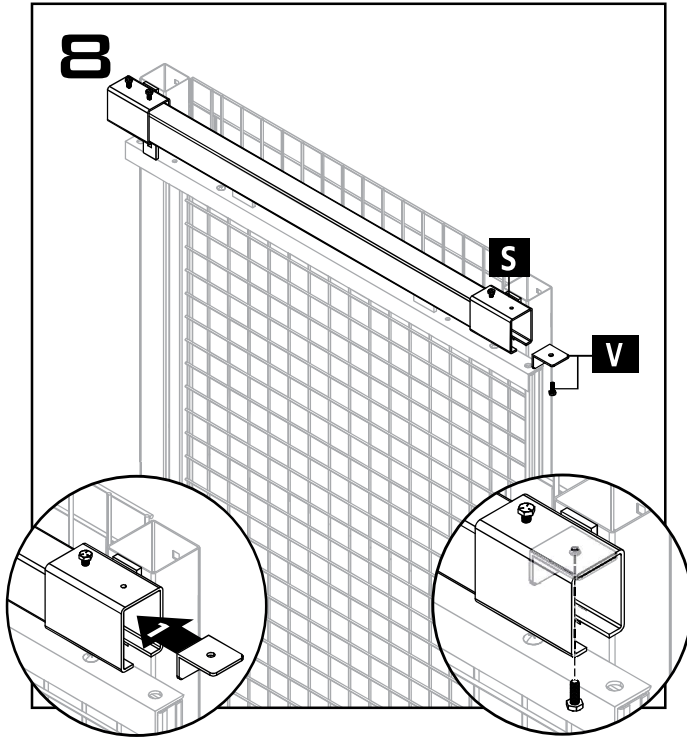
Attach caster plate (W) to door panel (P) using carriage bolts (HH) and nuts (JJ).



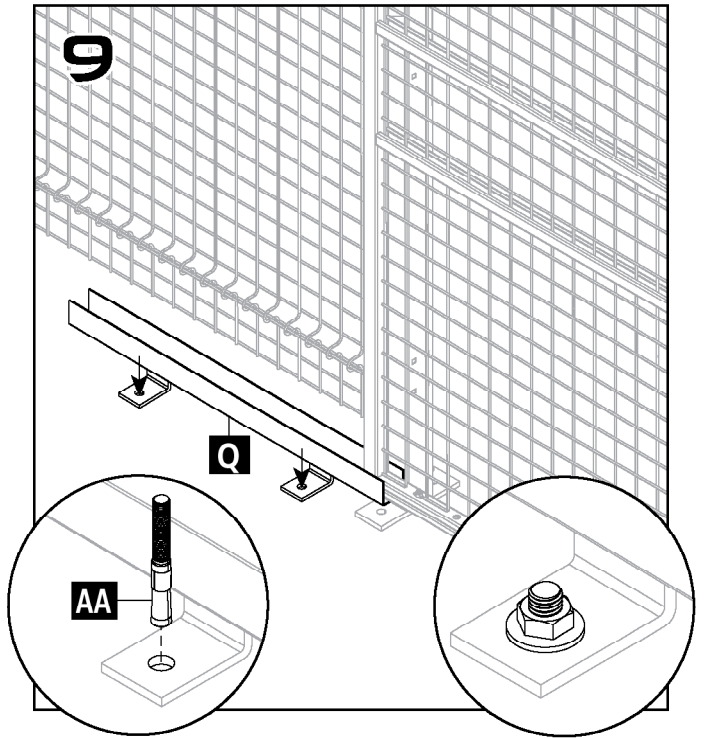
Align trolley (R) with track hanger (S) and slide top slice bar with bracket (Y) and door panel (P) assembly onto door track (M).



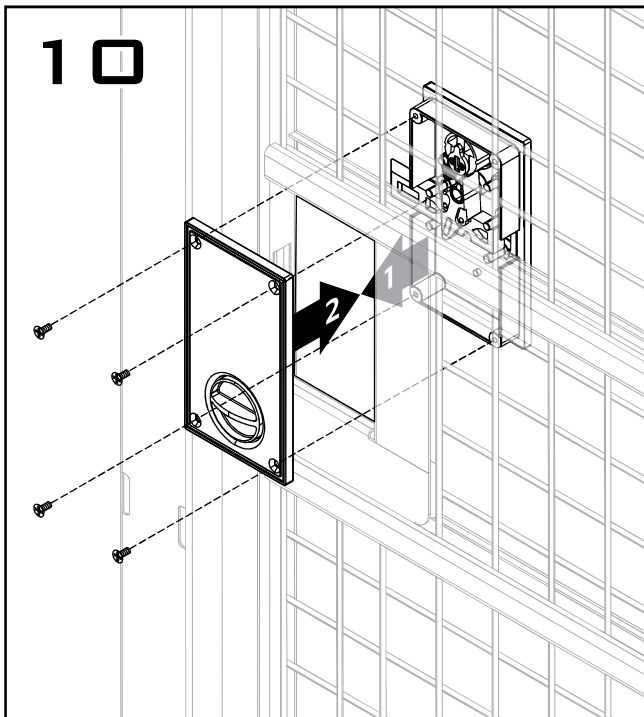
# TUNNEL DOOR INSTALLATION



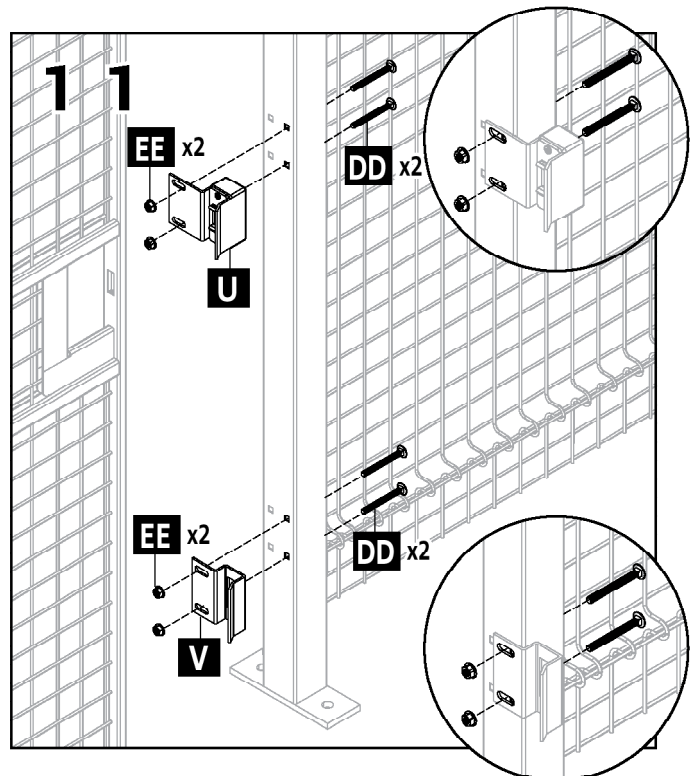
Install a door stop next to the door opening with bolt (V) into hanger (S).



Place floor guide (Q) into position. Mark and then drill holes for floor anchors (AA). Using a hammer, install floor anchors (AA). Install anchor nuts (BB) to secure floor guide (Q).



See detailed lock instructions provided with lock.



Install latch receiver (U) using carriage bolts (DD) and nuts (EE). Install bottom door slam (V) using carriage bolts (DD) and nuts (EE).

# DOUBLE TUNNEL DOOR INSTALLATION

## Materials List

- |  |                 |
|--|-----------------|
| I. Door Lock                                     | Q. Floor Guide  |
| M. Door Track                                    | R. Trolley      |
| N. Splice Bar*                                   | S. Track Hanger |
| O. Door Panel*                                   | V. Door Stop    |
| P. Door Panel with Lock Opening                  | W. Caster Plate |
| P3. Door Panel Crane Bolt and Padlock Attachment | X. Caster       |
|  | Y. Top Guide    |

\*Only supplied (needed) for doors wider than 5'.

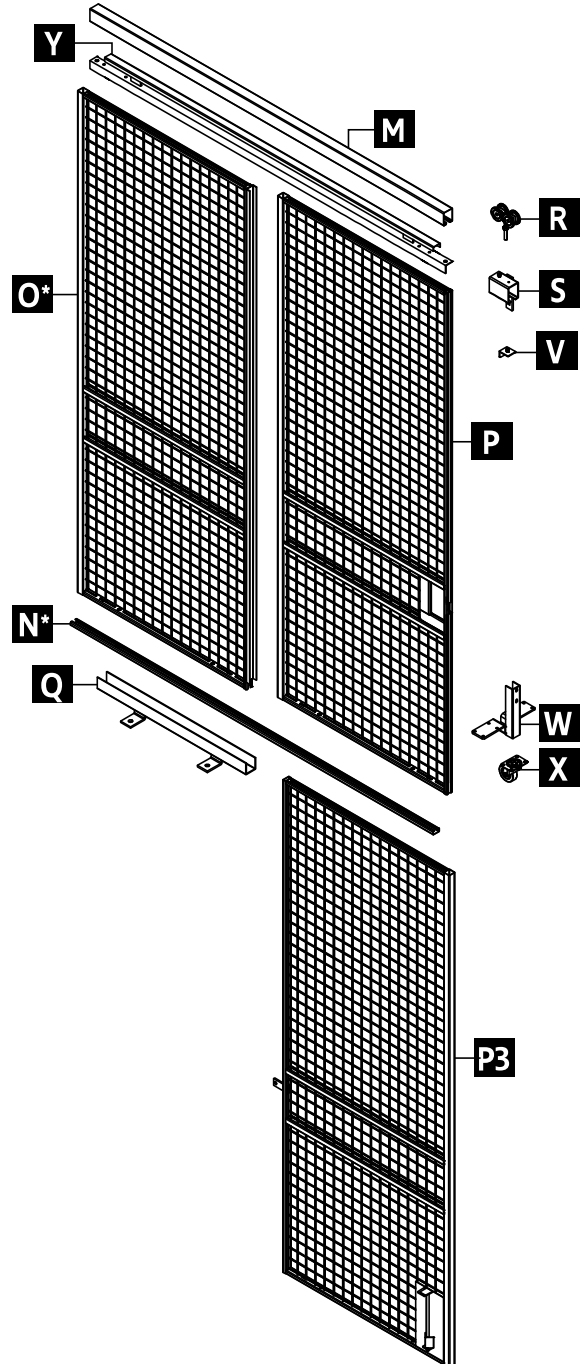
## Hardware List

- AA. Floor Anchor  
 BB. Floor Anchor Nut  
 EE. Nut (5/16")  
 GG. Carriage Bolt (5/16" x 3 -1/2")  
 HH. Carriage Bolt (1/4" X 1")  
 II. Hex Head Bolt (1/4" X 1-3/4" )  
 JJ. Nut (1/4")  
 KK. Door Stop with washer and nut

Complete **Steps 1-10 Tunnel Door Installation.**

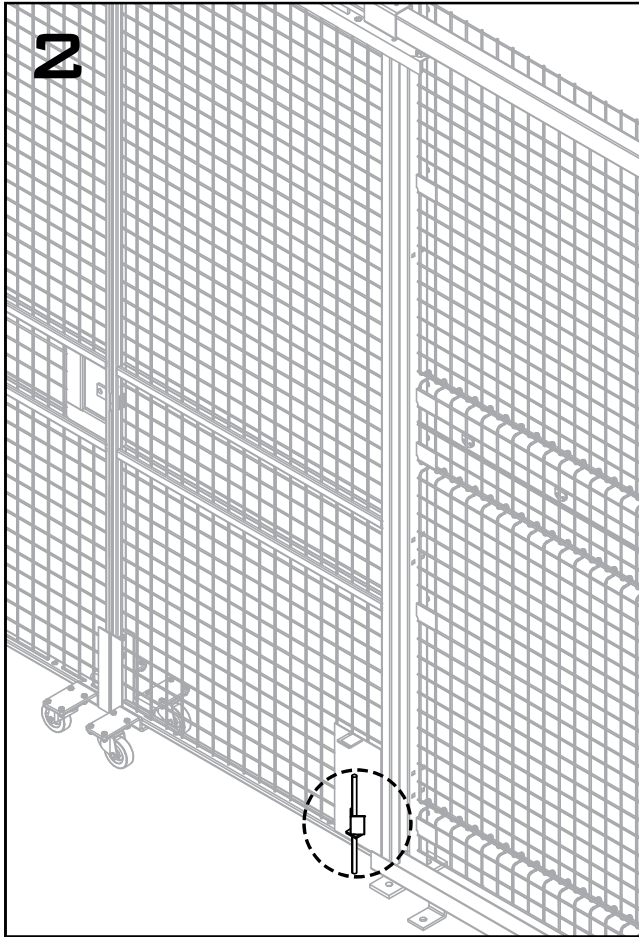
Repeat **Steps 1-9 Tunnel Door Installation** using door panel with crane bolt and padlock attachment (**P3**). If door installation is wider than 5', also use remaining door panel (**O**).

Proceed to **step 2.**

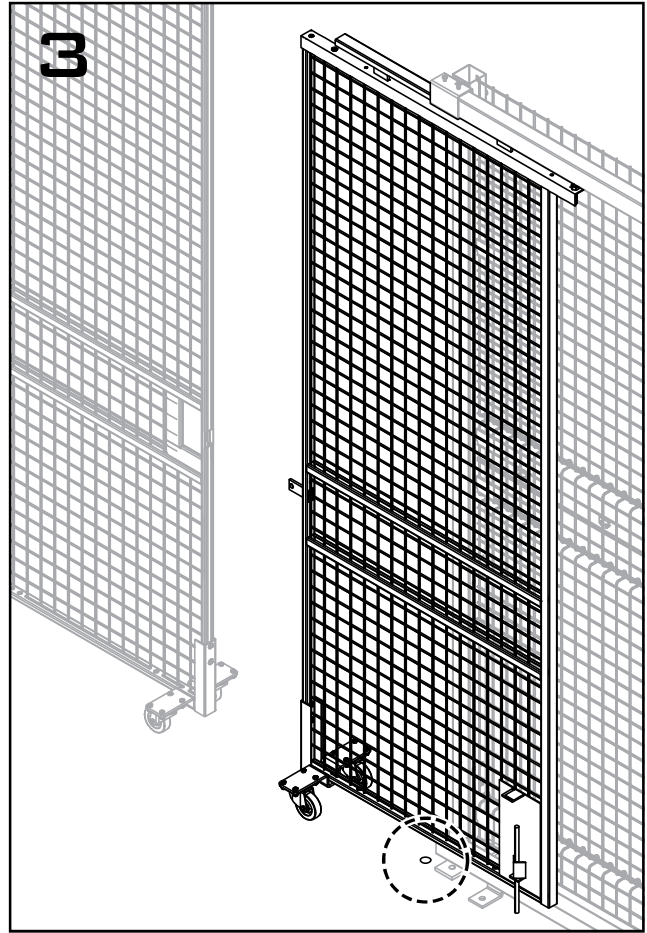




# INSTALLATION



From inside of assembly, mark cane bolt position.



Slide open door panel with cane bolt (J) and drill a 1/2" diameter x 2" deep hole at marked location.

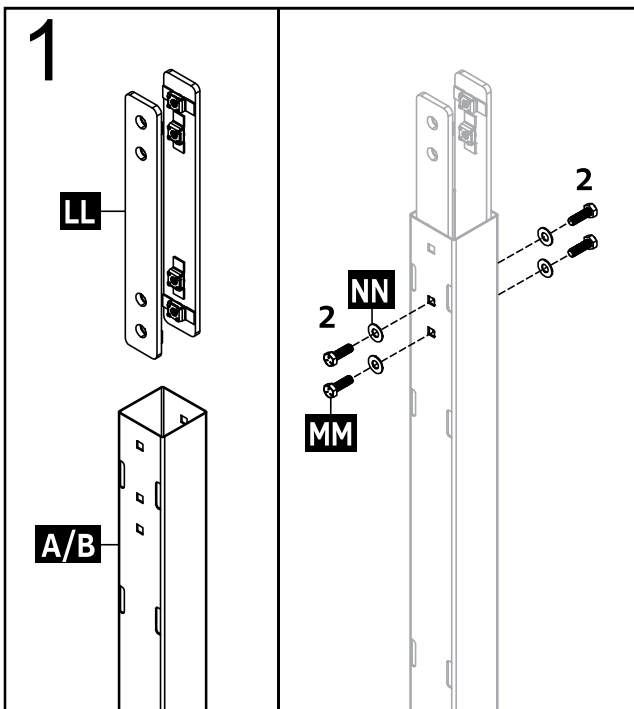
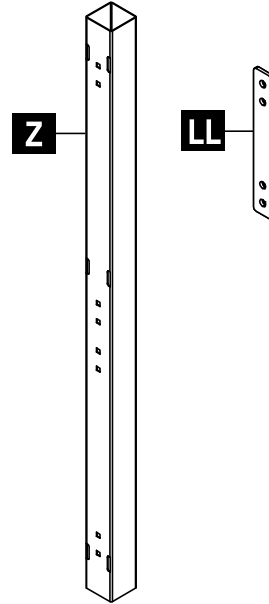
# SECURITY CAGES LARGER THAN 10' TALL

## Parts List

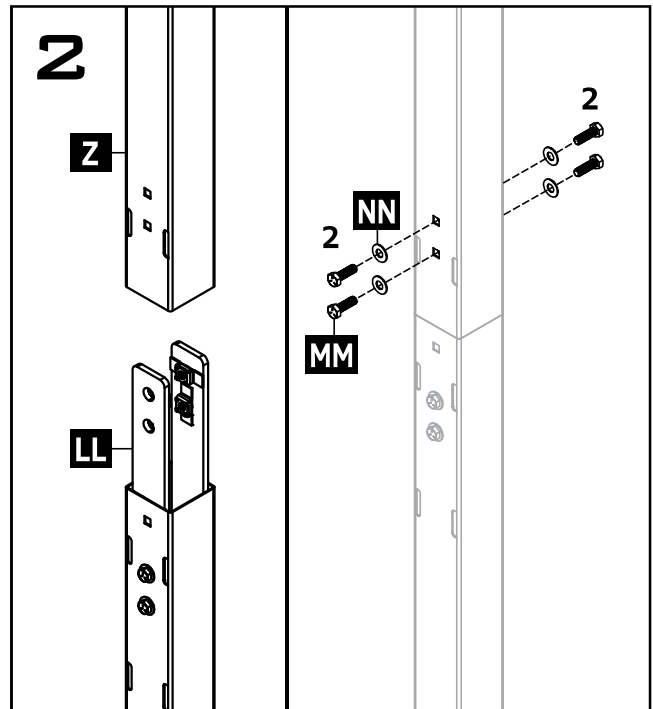
- Z. Post Extension
- LL. Post Extension Splice

## Hardware List

- MM. Hex Bolt 5/16" x 1"
- NN. Washer 5/16" SS



**Post Extension Installation (Specific Installations Only)**  
Install splices (LL) into top of installed post (A/B) using hex bolts (MM) and washers (NN).

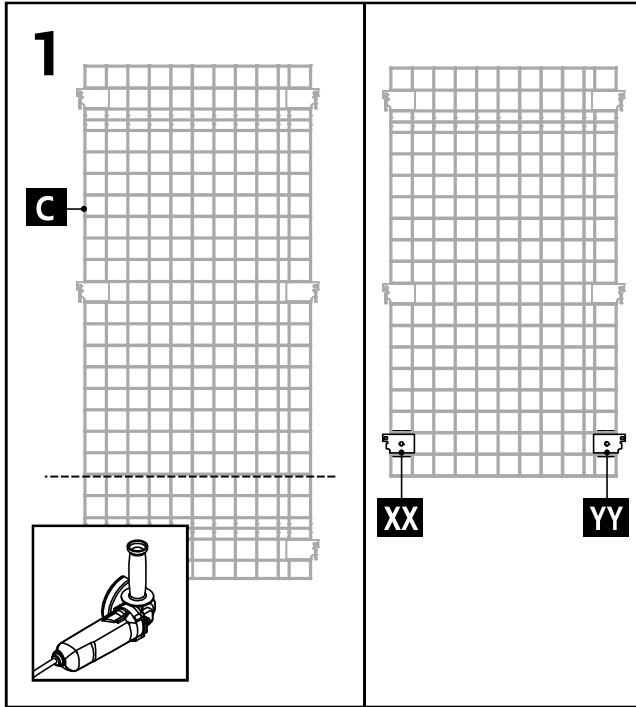


**Post Extension Installation (Specific Installations Only)**  
Install post extension (Z) to top of installed splices (LL) using hex bolts (MM) and washers (NN). To ensure proper installation, the measurement from the bottom of the tube to the bottom of the first punch should be 2-1/2".

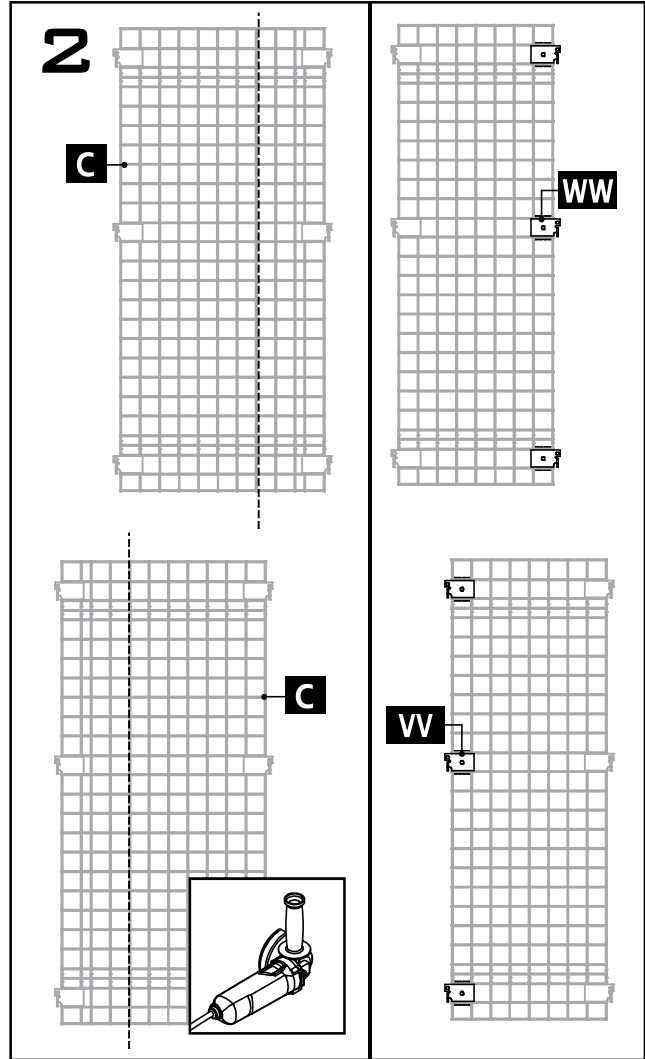
# CUTTING PANELS

## Hardware List

- VV.** Left Vertical Clip
- WW.** Right Vertical Clip
- XX.** Left Horizontal Clip
- YY.** Right Horizontal Clip



Cut wall panel (C) to desired height using a hand grinder. Install a left horizontal (XX) and right horizontal (YY) clip to wall panel (C).



Cut wall panel (C) to desired width using a hand grinder. Install left vertical (VV) or right vertical (WW) clips to wall panel (C).

**Note:** There will be 3 of left and right vertical clips included in kit.



6146 Denver Industrial Park Circle | Denver NC, 28037 | 704.483.1900  
huskyrackandwire.com