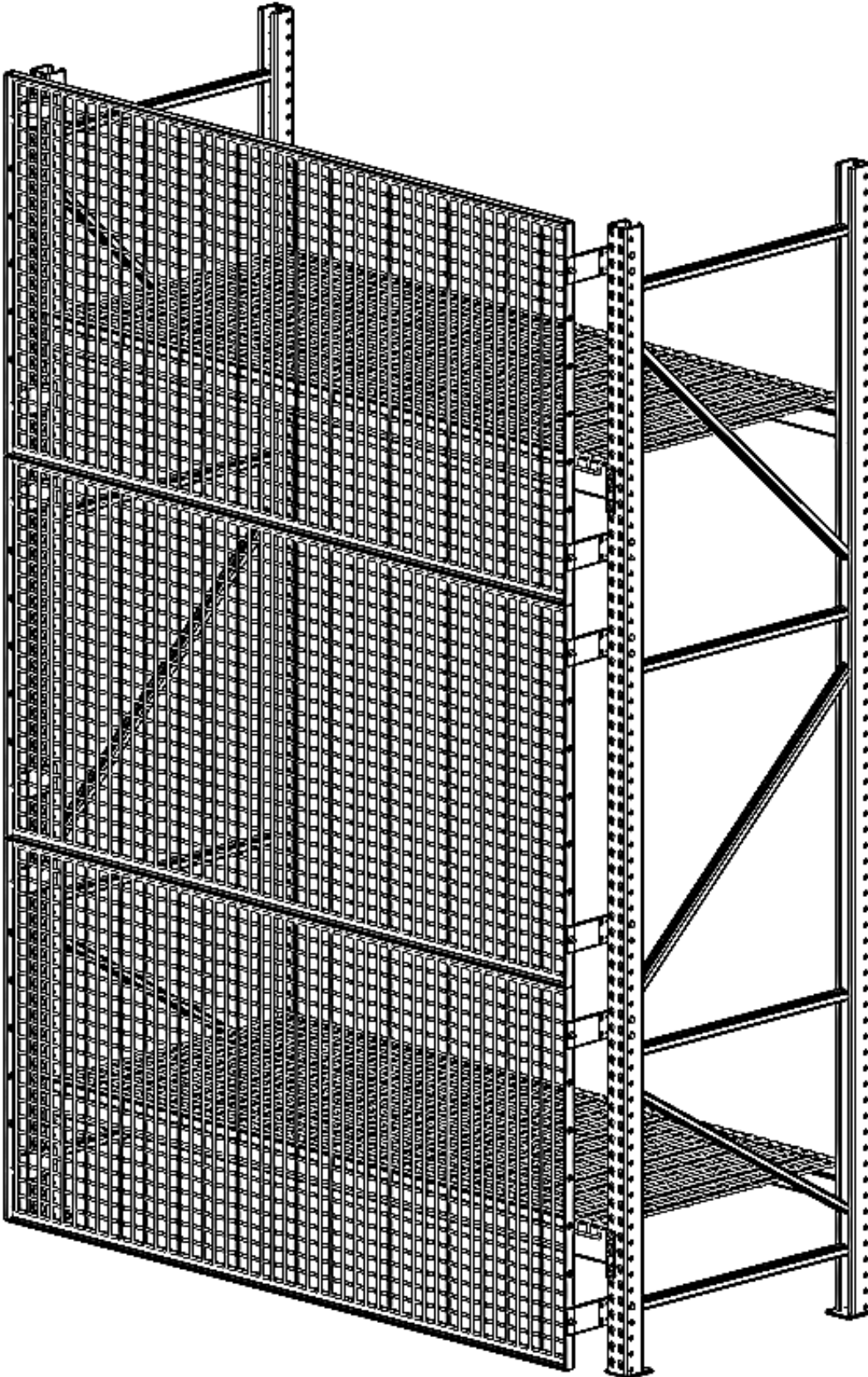


RACK GUARD  
INSTALLATION INSTRUCTIONS



## Introduction

Thank you for purchasing Husky Rack & Wire products. This guide provides information on safe and proper installation of the product. Additional information and videos can be found on our website. We recommend installation be performed by qualified individuals with experience in the proper assembly of storage and security products and knowledge of industry and government standards and guidelines. Please call our office or reach out to your local Husky Rack & Wire distributor for additional information.

## Safety

Follow the instructions carefully, as improper installation of Husky Rack & Wire products may cause instability, tip-over or collapse, resulting in serious injury or death as well as property damage. Always wear a hardhat, hard-toe boots and gloves without cuffs during installation. Do not walk, stand or climb on any part of the product during installation or at any other time.

The structure should be installed in a plumb, level, and square condition. Floor shims should be utilized as needed to ensure a level installation. The area where the product is to be installed should be free of all obstructions, such as lights, ducts, pipes, and columns. Do not install Husky Rack & Wire products outdoors, unless specifically designed for this purpose.

**WARNING:** PROPER ASSEMBLY IS THE RESPONSIBILITY OF BUYER AND IS NOT COVERED BY ANY WARRANTY OF SELLER. SELLER DISCLAIMS ALL LIABILITY WITH RESPECT TO ANY SUBSTITUTION OF PARTS OR HARDWARE NOT APPROVED IN WRITING BY SELLER. THE INSTALLATION DETAIL DRAWINGS ARE INTENDED AS BASIC GUIDES TO INSTALLATION OF STANDARD COMPONENTS. THERE MAY BE A REQUIREMENT FOR SPECIAL INSTALLATION TECHNIQUES, DEPENDING ON THE SPECIFICS OF THE PRODUCT PURCHASED.



6146 DENVER INDUSTRIAL PARK RD.  
DENVER, NC 28037  
PHONE: 704-483-1900 FAX 704-483-1911  
WWW.HUSKYRACKANDWIRE.COM  
© 2023 HUSKY RACK & WIRE PREVIOUSLY WIREWAY HUSKY CORP.

# TABLE OF CONTENTS

---

RACK GUARD CLIP INSTALLATION.....	1
RACK GUARD INSTALLATION.....	2

**INSTALLATION IS RECOMMENDED BY AT LEAST 2 PEOPLE**

# RACK GUARD CLIP INSTALLATION

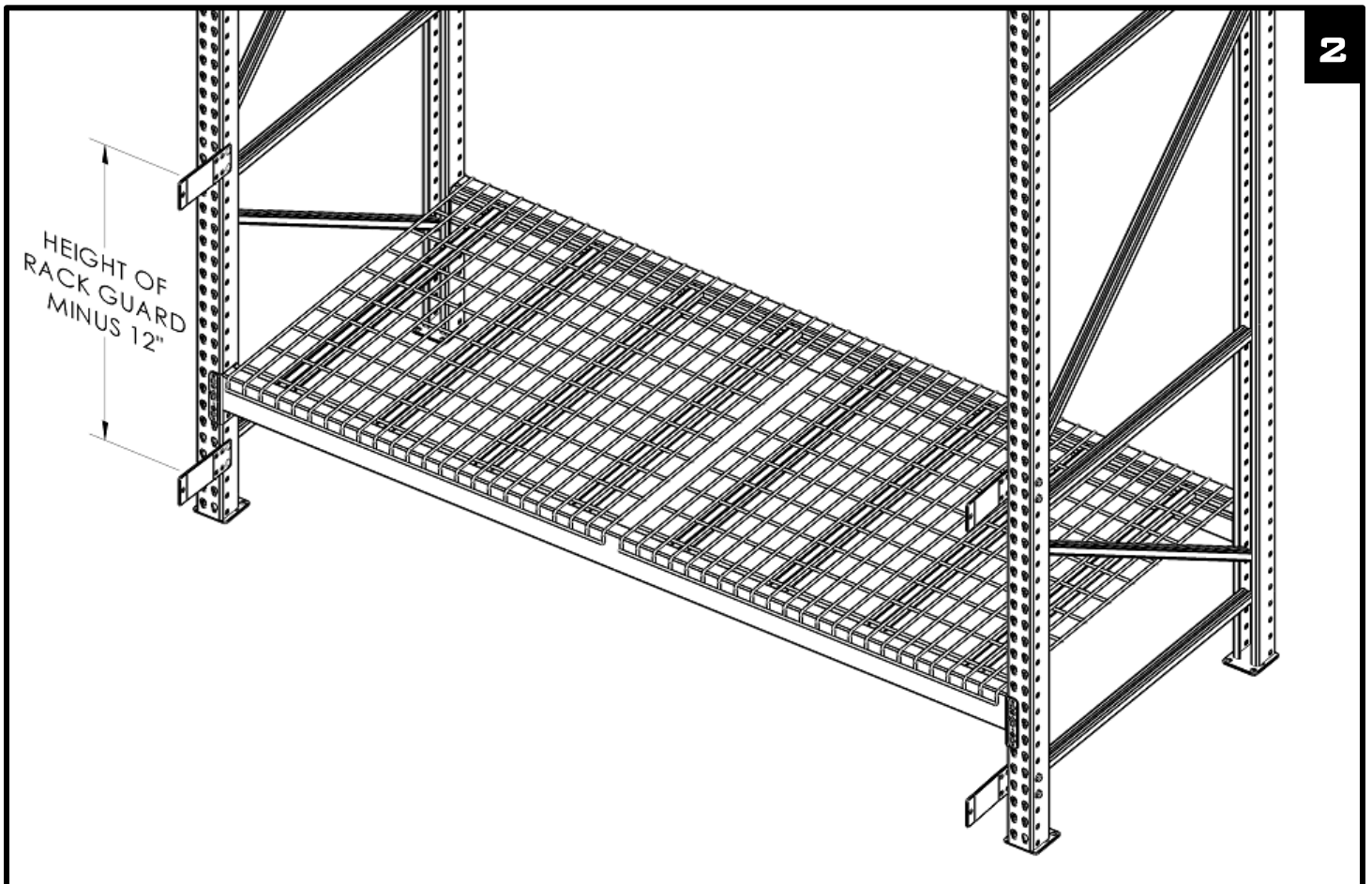
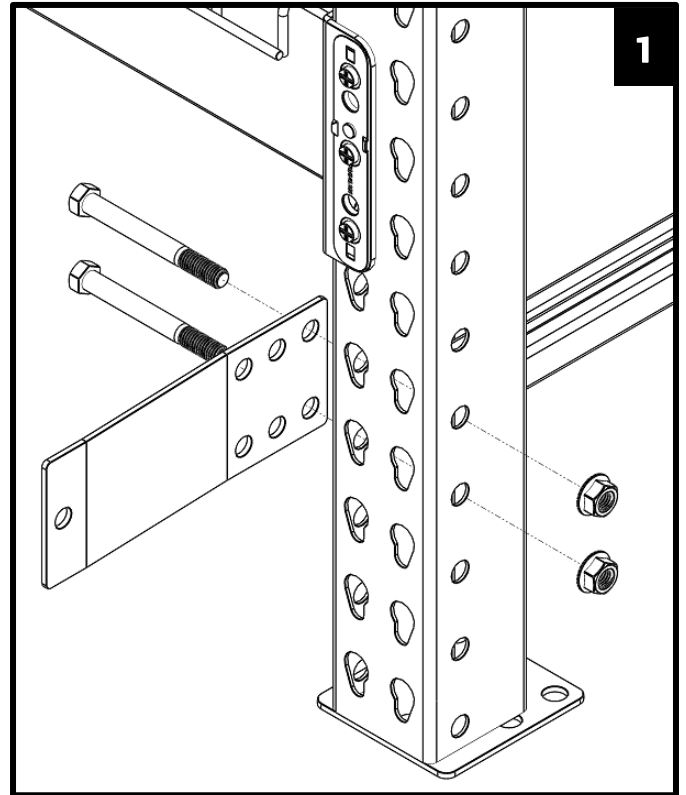
## INSTALLING RACK GUARD CLIPS

INSTALL THE FIRST RACK GUARD CLIPS AT DESIRED OFFSET DEPTH AS SHOWN IN PICTURE 1 USING:

(2) H1126 - 7/16-14 x 4" CARRIAGE BOLT

(2) H1144 - 7/16-14 HEX FLANGE NUT

REPEAT THIS STEP FOR THE OTHER 3 BRACKETS. THE DISTANCE BETWEEN THE TOP AND BOTTOM CLIPS SHOULD 12" LESS THAN THE HEIGHT OF THE RACK GUARD AS SHOWN IN PICTURE 2.



# RACK GUARD INSTALLATION

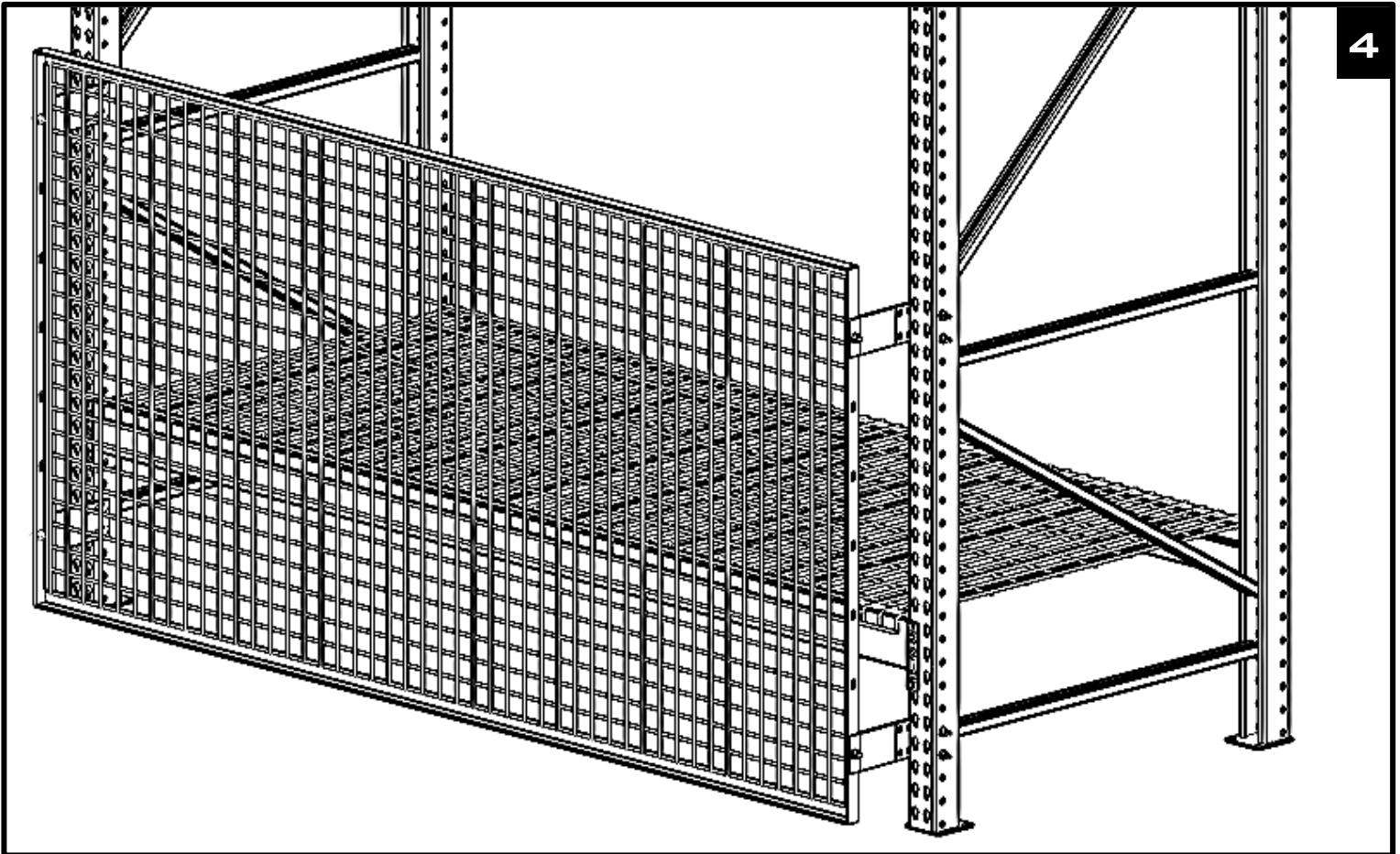
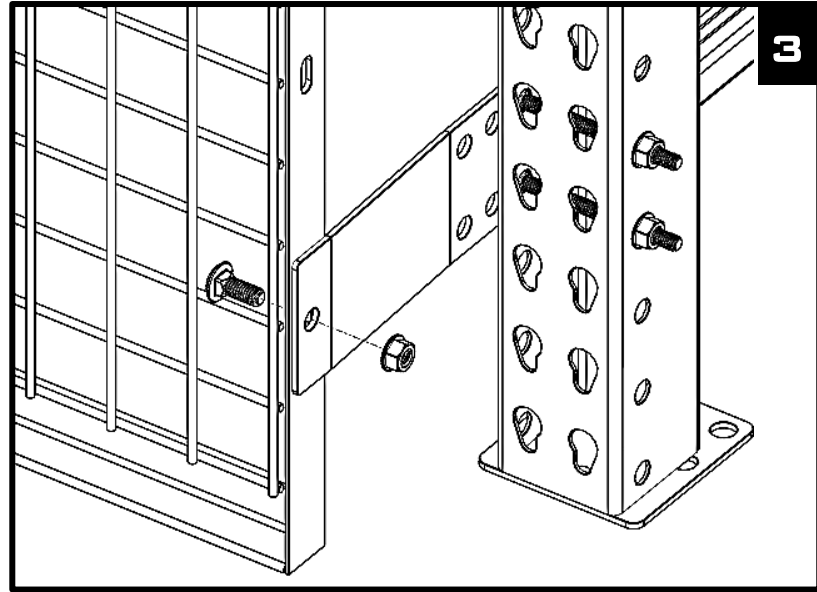
## INSTALLING RACK GUARD

BOLT THE RACK GUARD TO THE RACK GUARD CLIPS THROUGH THE INSIDE OF THE RACK GUARD AS SHOWN IN PICTURE 3 USING:

(1) H1109 - 3/8-16 x 1" CARRIAGE BOLT

(1) H5837 - 3/8-16 HEX FLANGE NUT

REPEAT THIS STEP FOR ALL RACK GUARD CLIPS AS SHOWN IN PICTURE 4.



**REPEAT THE ENTIRE INSTALLATION IF YOU ARE STACKING RACK GURADS**