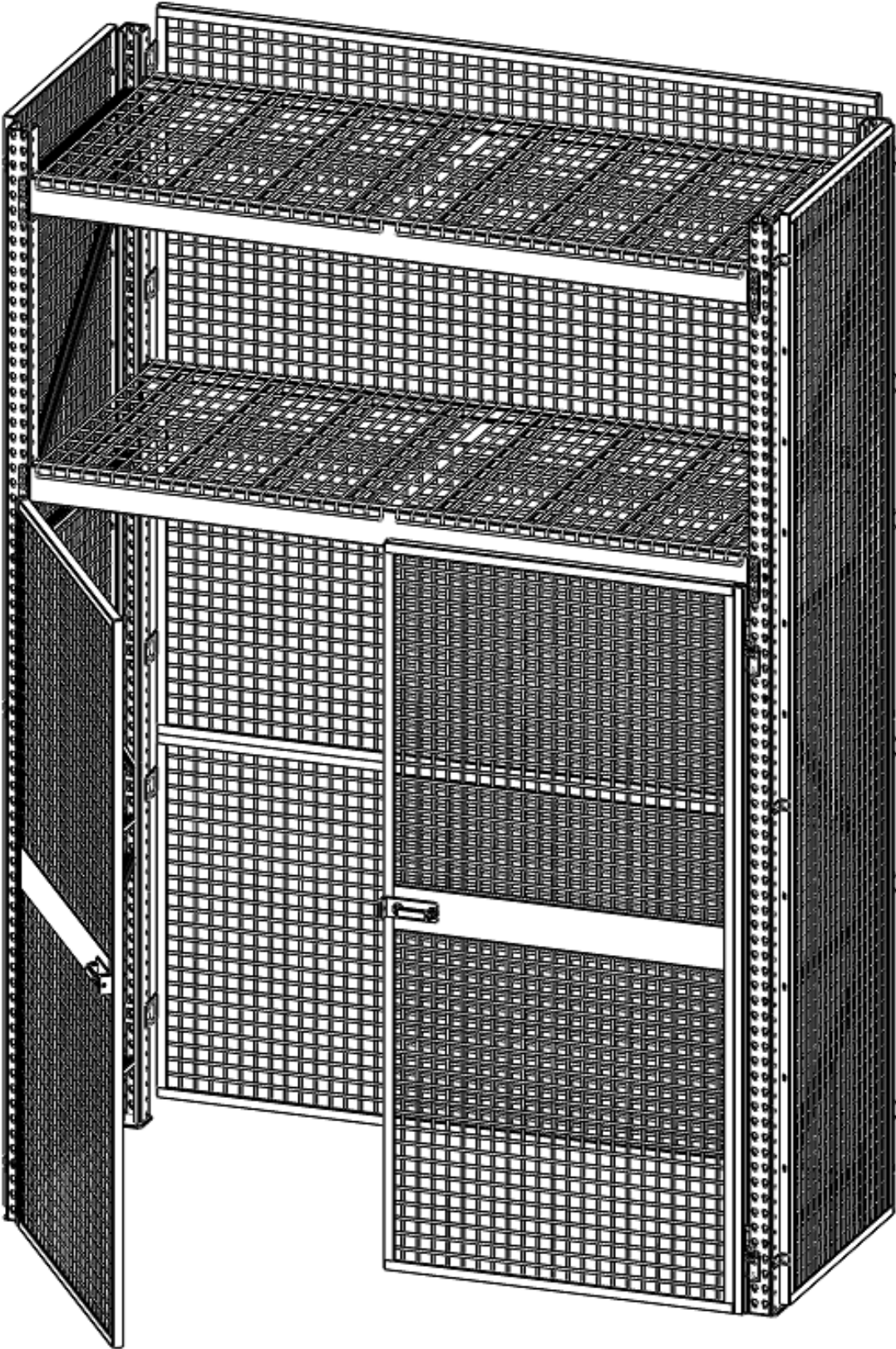


PALLET RACK ENCLOSURE
INSTALLATION INSTRUCTIONS



Introduction

Thank you for purchasing Husky Rack & Wire products. This guide provides information on safe and proper installation of the product. Additional information and videos can be found on our website. We recommend installation be performed by qualified individuals with experience in the proper assembly of storage and security products and knowledge of industry and government standards and guidelines. Please call our office or reach out to your local Husky Rack & Wire distributor for additional information.

Safety

Follow the instructions carefully, as improper installation of Husky Rack & Wire products may cause instability, tip-over or collapse, resulting in serious injury or death as well as property damage. Always wear a hardhat, hard-toe boots and gloves without cuffs during installation. Do not walk, stand or climb on any part of the product during installation or at any other time.

The structure should be installed in a plumb, level, and square condition. Floor shims should be utilized as needed to ensure a level installation. The area where the product is to be installed should be free of all obstructions, such as lights, ducts, pipes, and columns. Do not install Husky Rack & Wire products outdoors, unless specifically designed for this purpose.

WARNING: PROPER ASSEMBLY IS THE RESPONSIBILITY OF BUYER AND IS NOT COVERED BY ANY WARRANTY OF SELLER. SELLER DISCLAIMS ALL LIABILITY WITH RESPECT TO ANY SUBSTITUTION OF PARTS OR HARDWARE NOT APPROVED IN WRITING BY SELLER. THE INSTALLATION DETAIL DRAWINGS ARE INTENDED AS BASIC GUIDES TO INSTALLATION OF STANDARD COMPONENTS. THERE MAY BE A REQUIREMENT FOR SPECIAL INSTALLATION TECHNIQUES, DEPENDING ON THE SPECIFICS OF THE PRODUCT PURCHASED.



6146 DENVER INDUSTRIAL PARK RD.
DENVER, NC 28037
PHONE: 704-483-1900 FAX 704-483-1911
WWW.HUSKYRACKANDWIRE.COM
© 2023 HUSKY RACK & WIRE PREVIOUSLY WIREWAY HUSKY CORP.

TABLE OF CONTENTS

RACK GUARD CLIP INSTALLATION.....	1
RACK GUARD INSTALLATION.....	2
RACK GUARD SIDE PANEL INSTALLATION.....	3
DOUBLE SWING PALLET RACK DOOR INSTALLATION.....	4
HINGE INSTALLATION.....	4
DOOR PANEL INSTALLATION.....	5
HANDLE AND PADLOCK HASP INSTALLATION.....	5
DOUBLE SLIDE PALLET RACK DOOR INSTALLATION.....	6
TRACK HANGER INSTALLATION.....	6
TRACK INSTALLATION.....	7
TROLLEY INSTALLATION.....	8
DOOR PANEL INSTALLATION.....	9
BOTTOM GUIDE INSTALLATION.....	10
BOTTOM SLAM AND FILLER TUBE INSTALLATION.....	11
DOOR STOP INSTALLATION.....	12

INSTALLATION IS RECOMMENDED BY AT LEAST 2 PEOPLE

RACK GUARD CLIP INSTALLATION

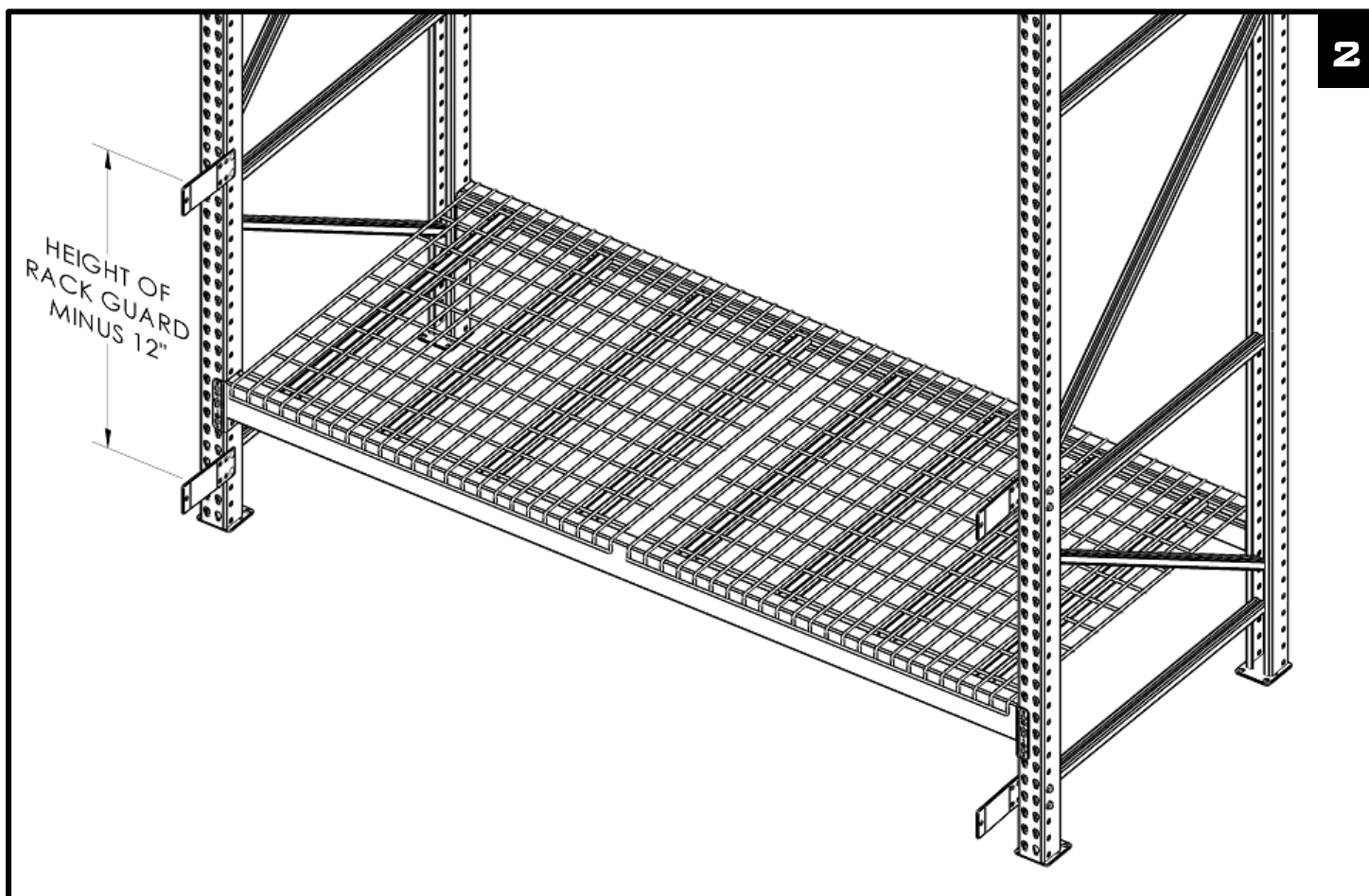
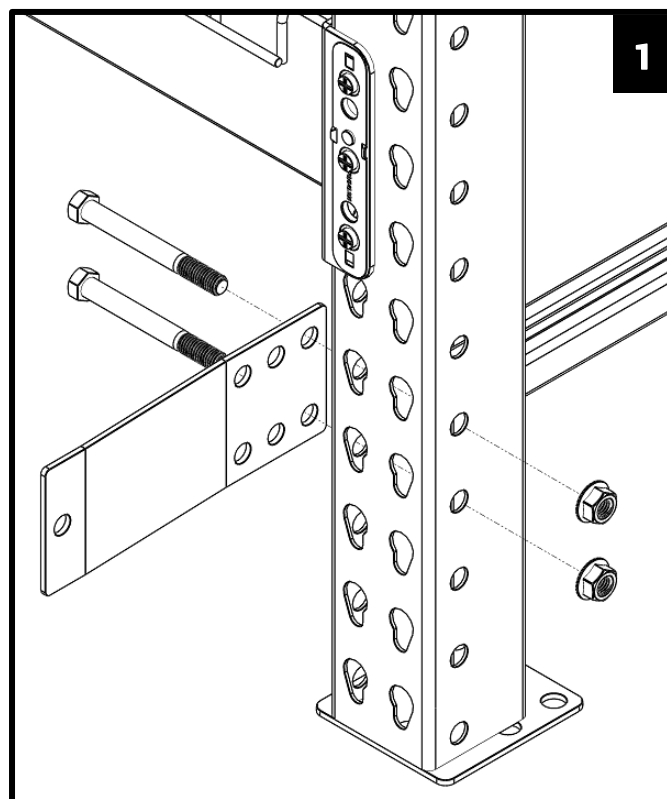
INSTALLING RACK GUARD CLIPS

INSTALL THE FIRST RACK GUARD CLIPS AT DESIRED OFFSET DEPTH AS SHOWN IN PICTURE 1 USING:

(2) H1126 - 7/16-14 x 4" CARRIAGE BOLT

(2) H1144 - 7/16-14 HEX FLANGE NUT

REPEAT THIS STEP FOR THE OTHER 3 BRACKETS. THE DISTANCE BETWEEN THE TOP AND BOTTOM CLIPS SHOULD 12" LESS THAN THE HEIGHT OF THE RACK GUARD AS SHOWN IN PICTURE 2.



RACK GUARD INSTALLATION

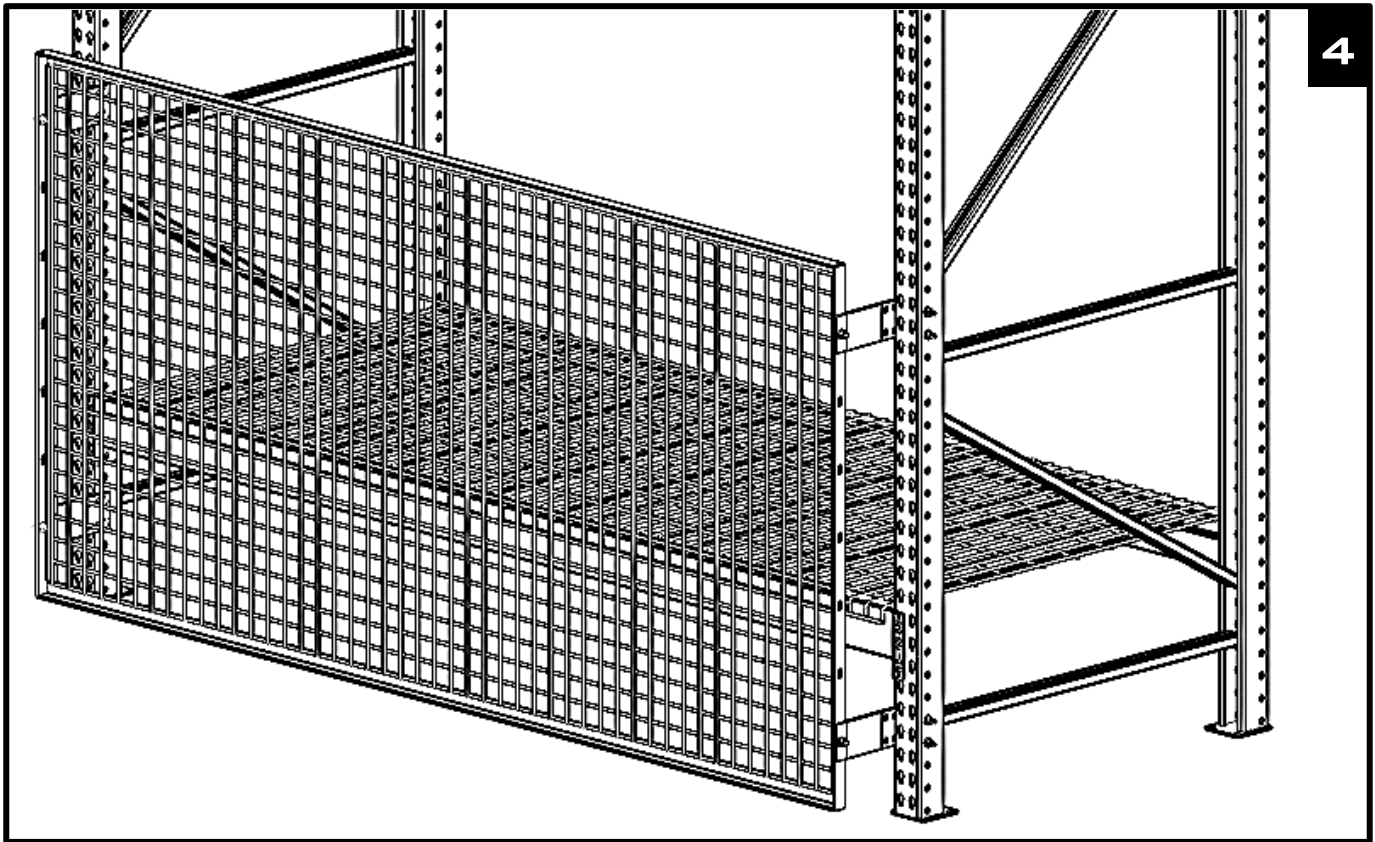
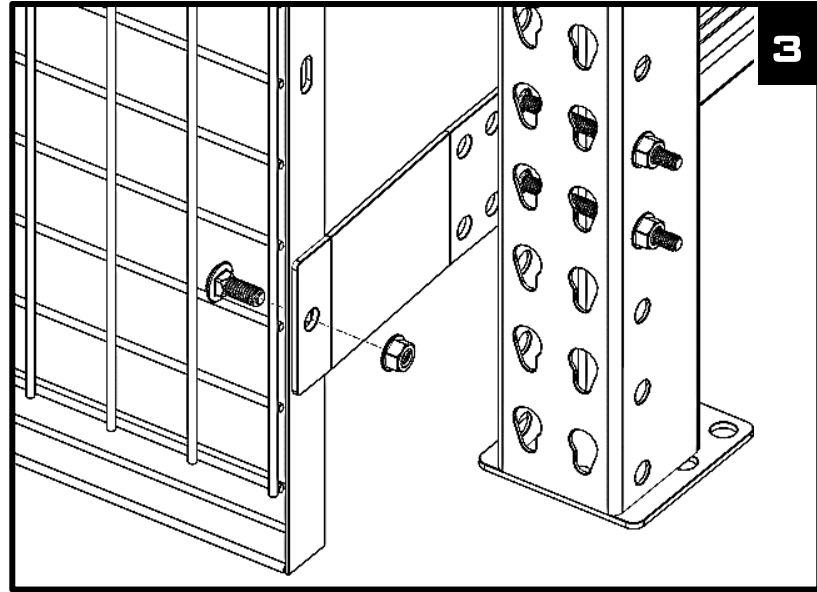
INSTALLING RACK GUARD

BOLT THE RACK GUARD TO THE RACK GUARD CLIPS THROUGH THE INSIDE OF THE RACK GUARD AS SHOWN IN PICTURE 3 USING:

(1) H1109 – 3/8-16 x 1" CARRIAGE BOLT

(1) H5837 – 3/8-16 HEX FLANGE NUT

REPEAT THIS STEP FOR ALL RACK GUARD CLIPS AS SHOWN IN PICTURE 4.



REPEAT THE ENTIRE INSTALLATION IF YOU ARE STACKING RACK GURADS

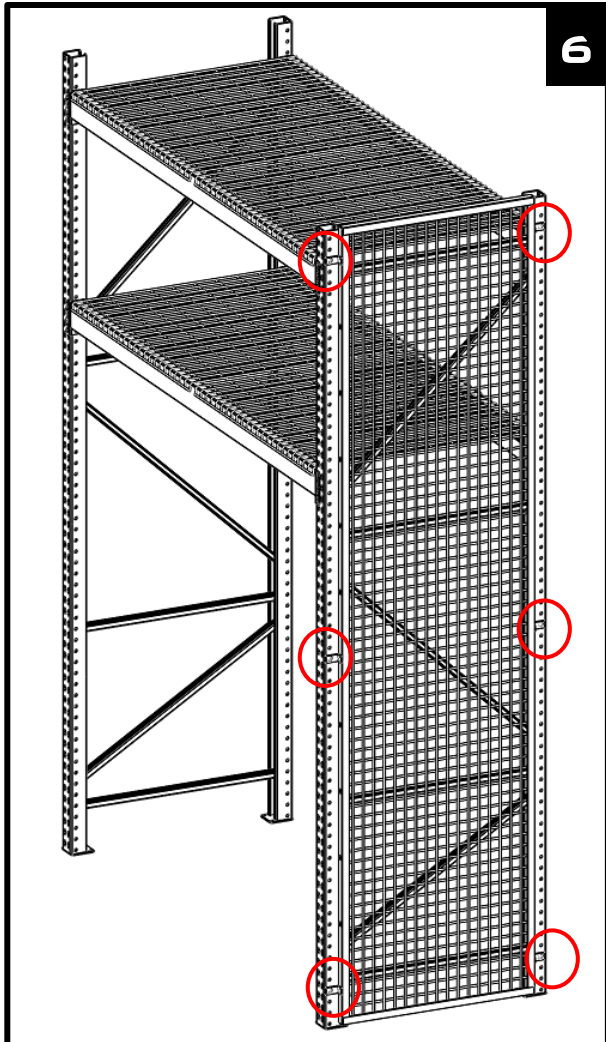
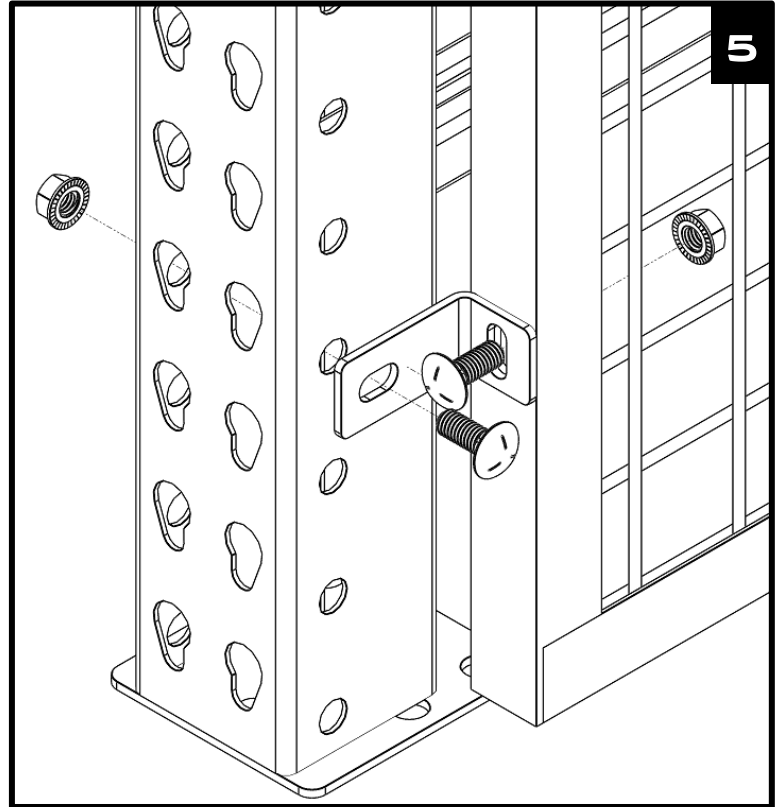
RACK GUARD SIDE PANEL INSTALLATION

INSTALLING RACK GUARD SIDE PANEL

BOLT THE RACK GUARD SIDE PANEL TO THE RACK GUARD SIDE PANEL CLIPS THROUGH THE INSIDE OF THE RACK GUARD AND TO THE UPRIGHT AS SHOWN IN PICTURE 5 USING:

(2) H1109 - 3/8-16 x 1" CARRIAGE BOLT

(2) H5837 - 3/8-16 HEX FLANGE NUT



INSTALLING RACK GUARD SIDE PANEL

REPEAT THIS STEP FOR ALL RACK GUARD SIDE PANEL CLIPS AS SHOWN IN PICTURE 6. INSTALL CLIPS IN **SIX** LOCATIONS. REPEAT STEPS FOR THE OTHER END OF THE AISLES.

DOUBLE SWING PALLET RACK DOOR INSTALLATION

BOLTING HINGES TOGETHER

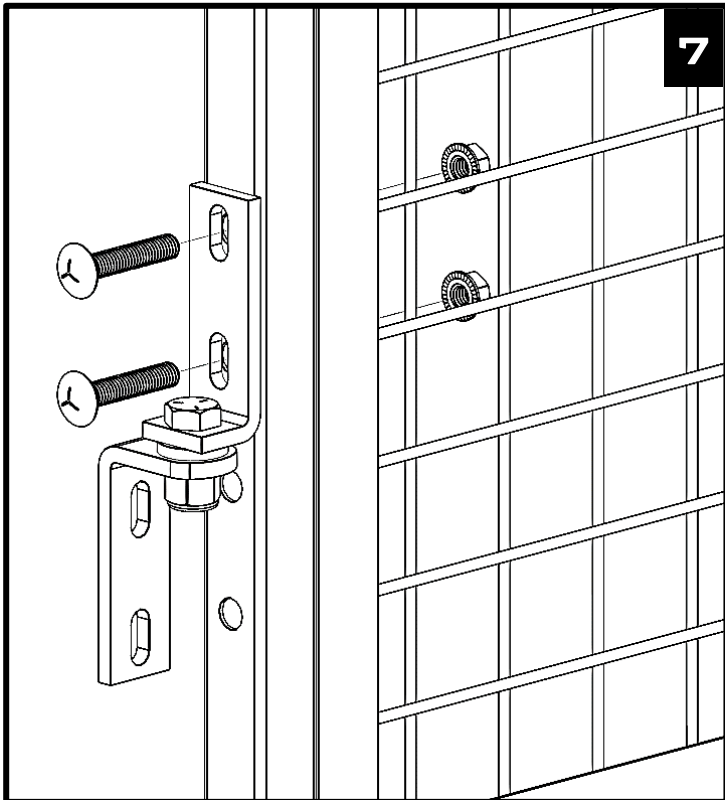
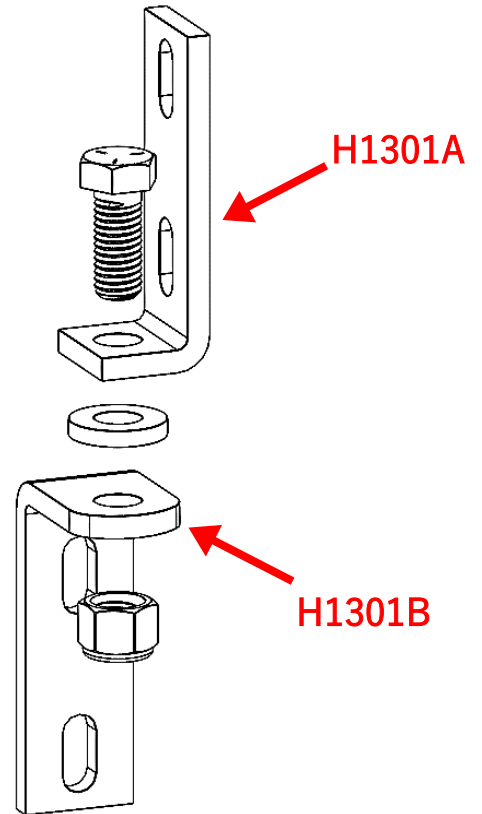
TAKE H1301A AND H1301B AND
BOLT TOGETHER USING:

(1) H1353 - NYLON INSERT LOCKNUT
1/2-13

(2) H1354 - FLAT WASHER 1/2"

(3) H1355 - HEX HEAD BOLT 1/2-13 x
1-1/4" LONG

*H1301B - HINGE BRACKET B
HAS A ROUNDED EDGE*



BOLTING HINGES TO THE DOOR

TAKE H1301A AND BOLT IT TO THE
DOOR AS SHOWN IN PICTURE 7 USING:

(1) H1353 - NYLON INSERT LOCKNUT
1/2-13

(2) H1354 - FLAT WASHER 1/2"

(3) H1355 - HEX HEAD BOLT 1/2-13 x
1-1/4" LONG

DOUBLE SWING PALLET RACK DOOR INSTALLATION

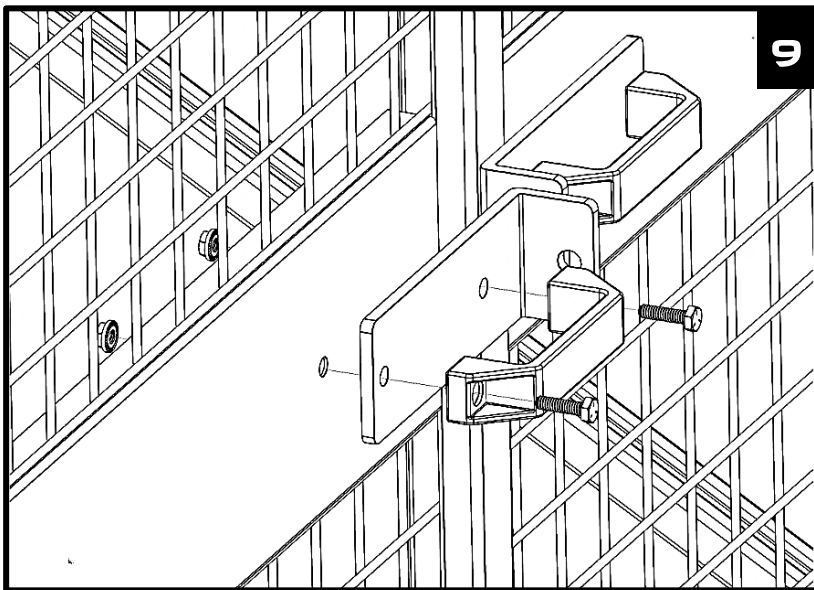
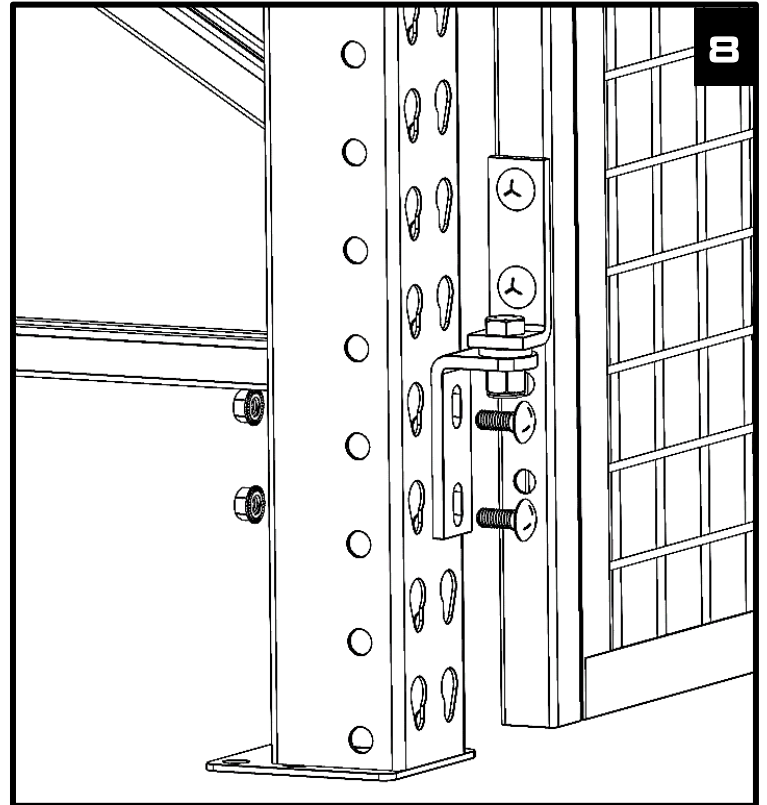
INSTALLING DOORS TO THE RACK

ATTACH DOOR PANELS TO THE RACK
AS SHOWN IN PICTURE 8 USING:

(2) H1109 - 3/8-16 x1" CARRIAGE
BOLT

(2) H5837 - 3/8-16 HEX FLANGE NUT

HINGES ARE TO BE MOUNTED IN
FOUR PLACES



MOUNTING HANDLES AND PADLOCK HASP

ATTACH LATCH AND HANDLE TO THE
CENTERPLATE OF THE DOOR AS
SHOWN IN PICTURE 9 USING:

(2) H5831 - 1/4-20 x1" HEX HEAD
BOLT

(2) H5849 - 1/4-20 HEX FLANGE NUT

BOLT PADLOCK HASP AND HANDLES
TO BOTH DOORS.

DOUBLE SLIDE PALLET RACK DOOR INSTALLATION

INSTALLING TRACK HANGER

INSTALL TRACK HANGER TO THE UPRIGHT AS SHOWN IN PICTURE 10.

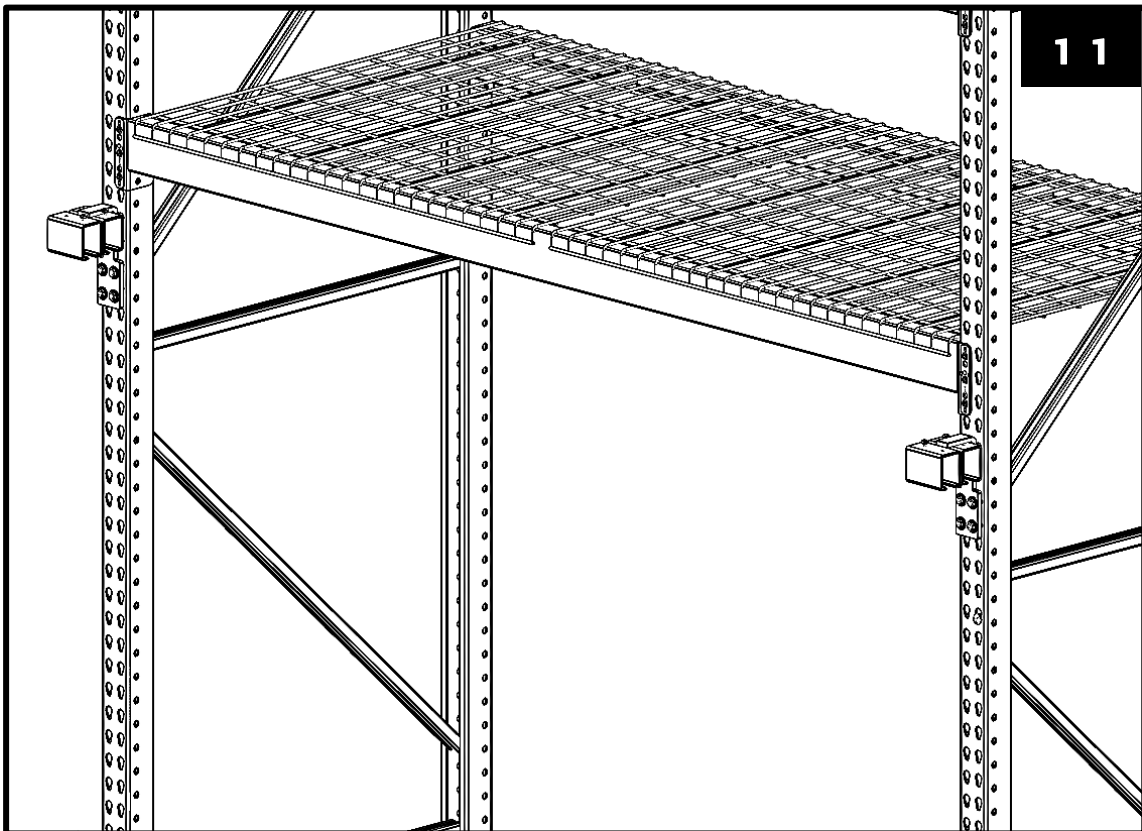
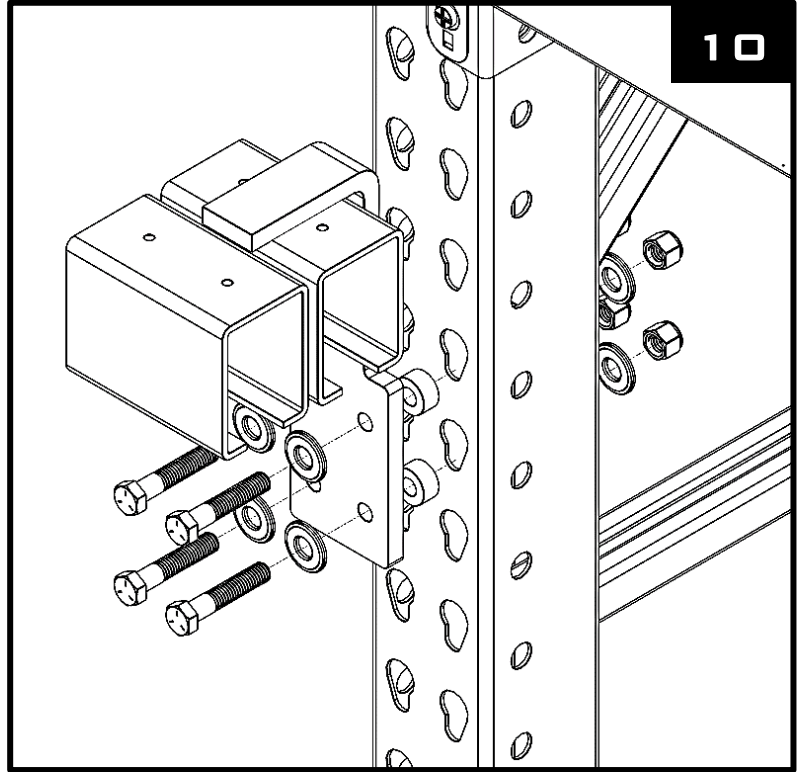
(4) H5833 - 3/8-16 x 2" HEX HEAD BOLT

(8) H5902 - WASHER 3/8"

(4) H5901 - 3/8-16 NYLON INSERT LOCKNUT

(8) KP-SPACER - 3/8" LONG x 3/4" OD x 3/8" ID SPACER

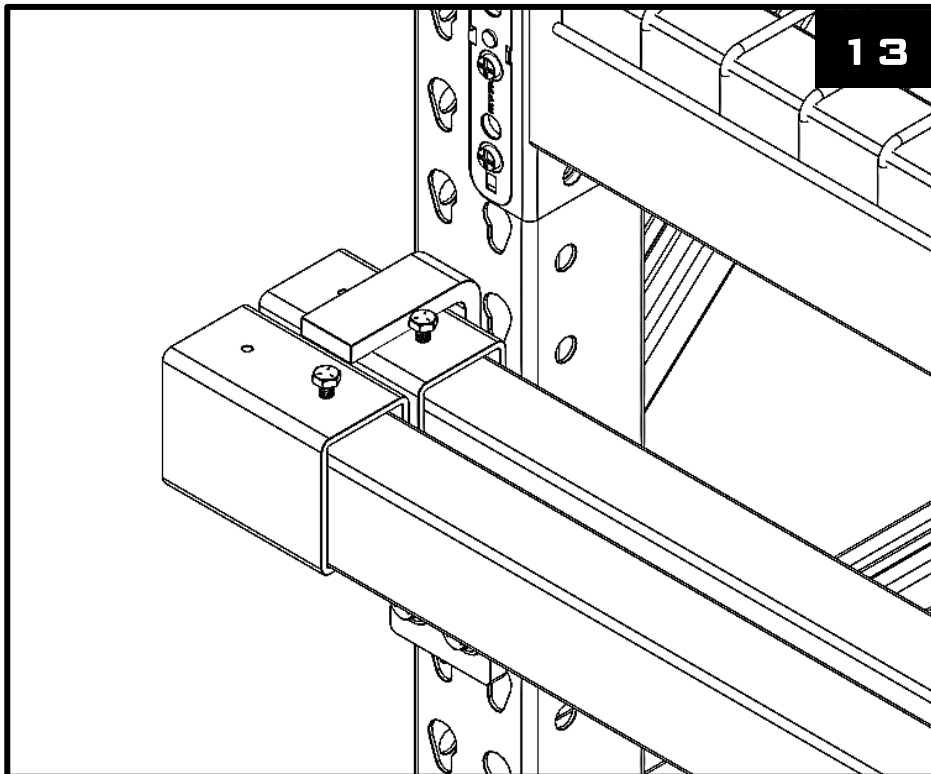
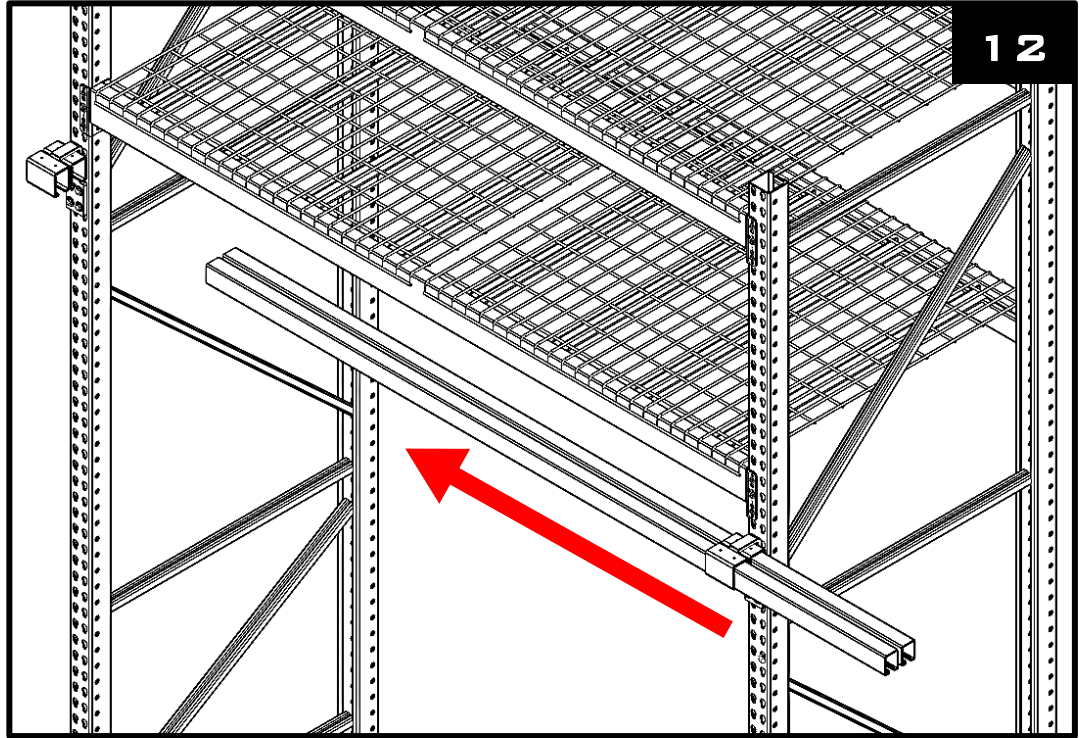
INSTALL TRACK HANGERS ON BOTH SIDES OF THE BAY AS SHOWN IN PICTURE 11.



DOUBLE SLIDE PALLET RACK DOOR INSTALLATION

INSTALLING OVERHEAD TRACKS

SLIDE OVERHEAD
TRACKS THROUGH
TRACK HANGERS AS
SHOWN IN PICTURE 12.



SECURING OVERHEAD TRACKS

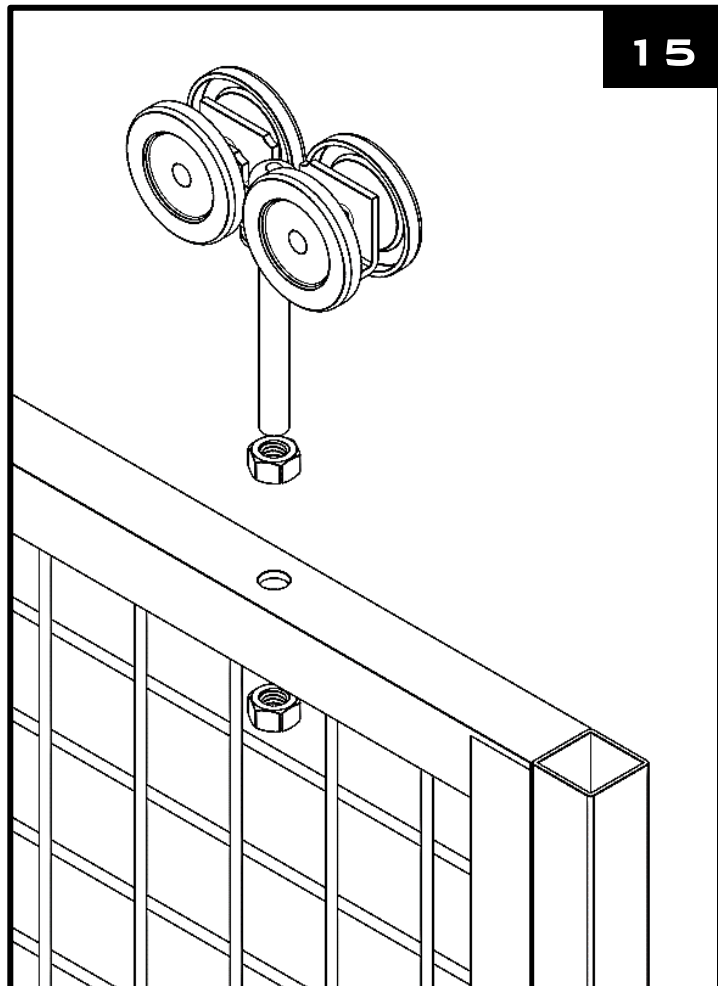
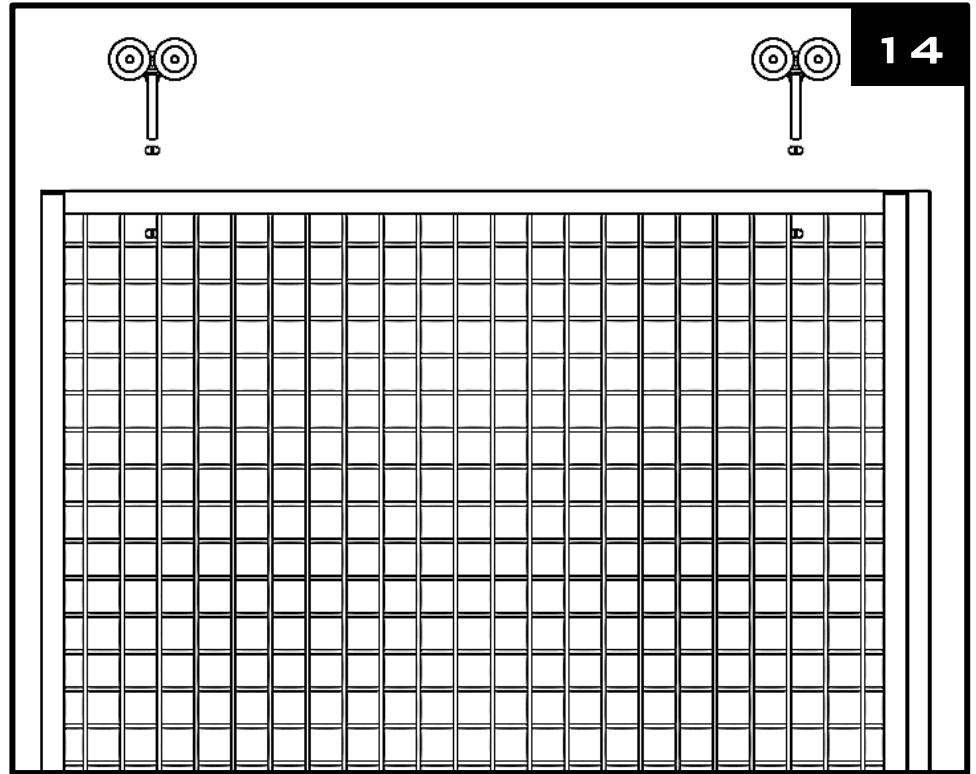
SECURE OVERHEAD
TRACKS TO TRACK
HANGERS AS SHOWN IN
PICTURE 13 USING:

(2) H5859 - 1/4-20 x
3/4" LONG HEX HEAD
BOLT

DOUBLE SLIDE PALLET RACK DOOR INSTALLATION

INSTALLING TROLLEYS

INSTALL TROLLEYS ON
BOTH DOOR PANELS AS
SHOWN IN PICTURE 14.



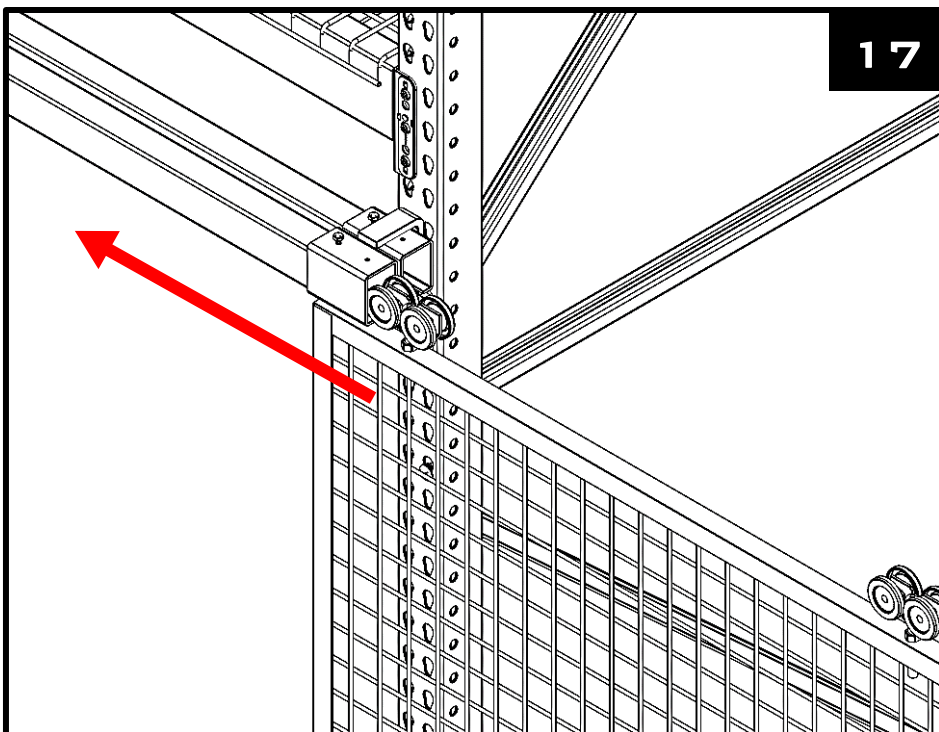
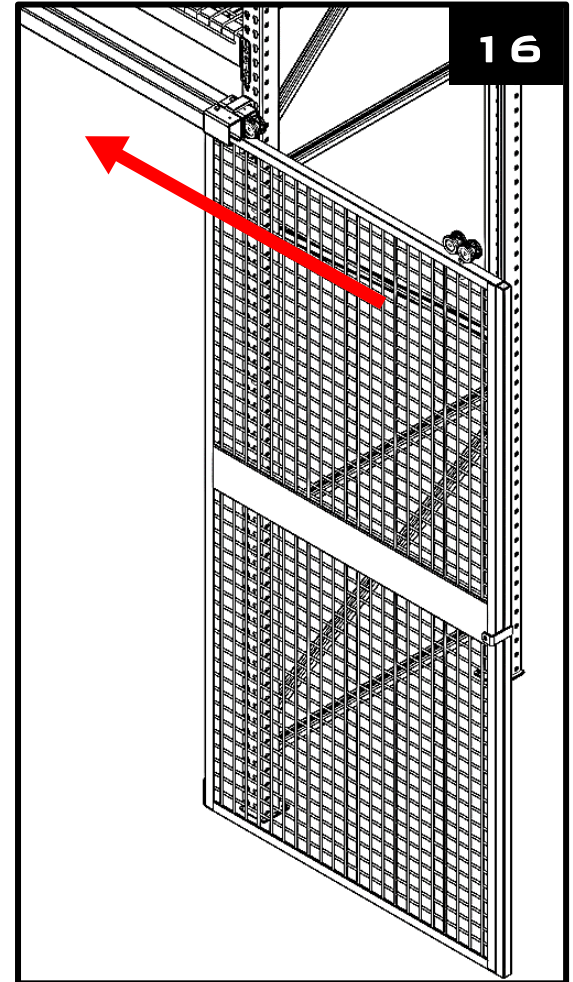
ADJUSTING THE TROLLEYS

SOME ADJUSTMENTS
MAY BE NEEDED TO
ACHIEVE DESIRED
HEIGHT OF THE DOOR.

DOUBLE SLIDE PALLET RACK DOOR INSTALLATION

INSTALLING THE FIRST DOOR PANEL

SLIDE DOOR TROLLEYS INTO THE INNERMOST TRACK AS SHOWN IN PICTURE 16. SLIDE DOOR ALL THE WAY TO THE LEFT. **BE SURE TO NOT SLIDE THE DOOR OUT OF THE TRACK.**



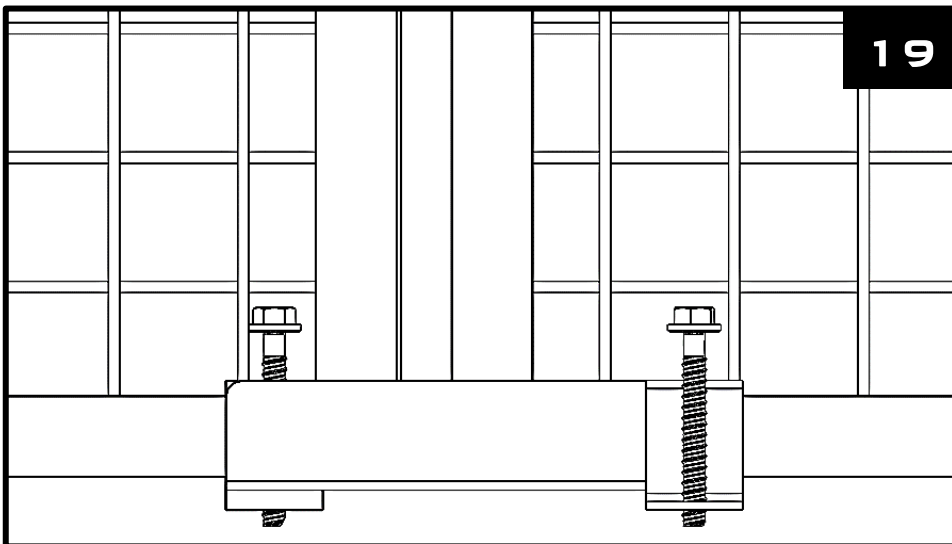
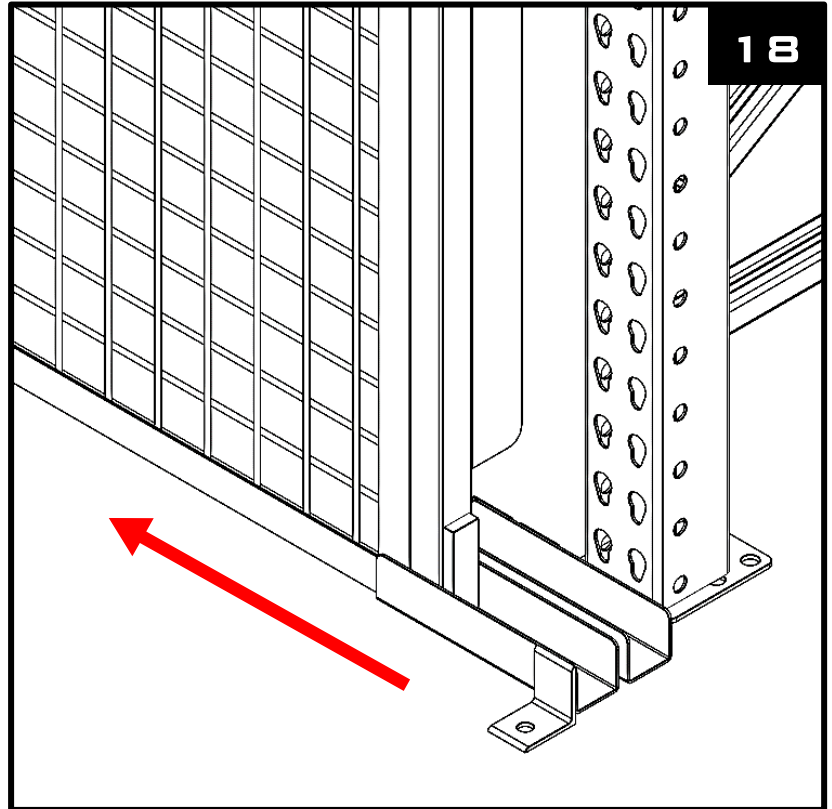
INSTALLING THE SECOND DOOR PANEL

SLIDE DOOR TROLLEYS INTO THE OUTERMOST TRACK AS SHOWN IN PICTURE 17. SLIDE DOOR ALL THE WAY TO THE RIGHT. **BE SURE TO NOT SLIDE THE DOOR OUT OF THE TRACK.**

DOUBLE SLIDE PALLET RACK DOOR INSTALLATION

INSTALLING THE BOTTOM GUIDE

INSERT BOTTOM GUIDE FROM THE
RIGHT SIDE OF THE DOOR AND
SLIDE OVER TO THE MIDDLE OF
THE DOOR AS SHOWN IN PICTURE
18.



ANCHORING THE BOTTOM GUIDE

ONCE THE BOTTOM
GUIDE IS IN THE
CENTER OF THE TWO
DOOR PANELS, ANCHOR
AS SHOWN IN PICTURE
19 USING:

(2) H1130 - 5/16" x 3"
HEX HEAD CONCRETE
SCREW.

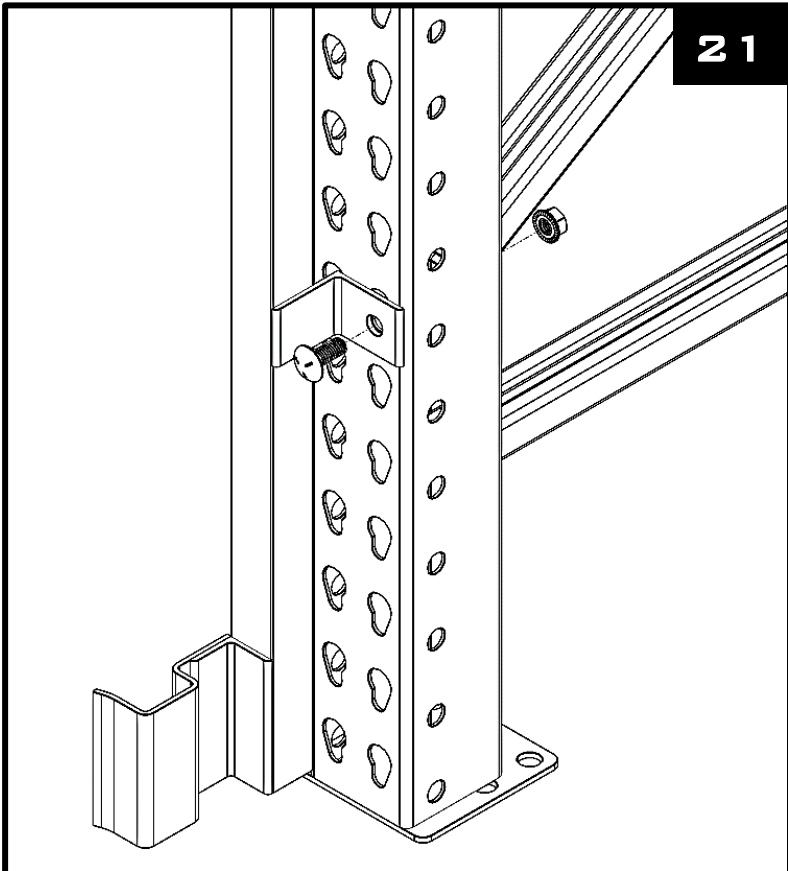
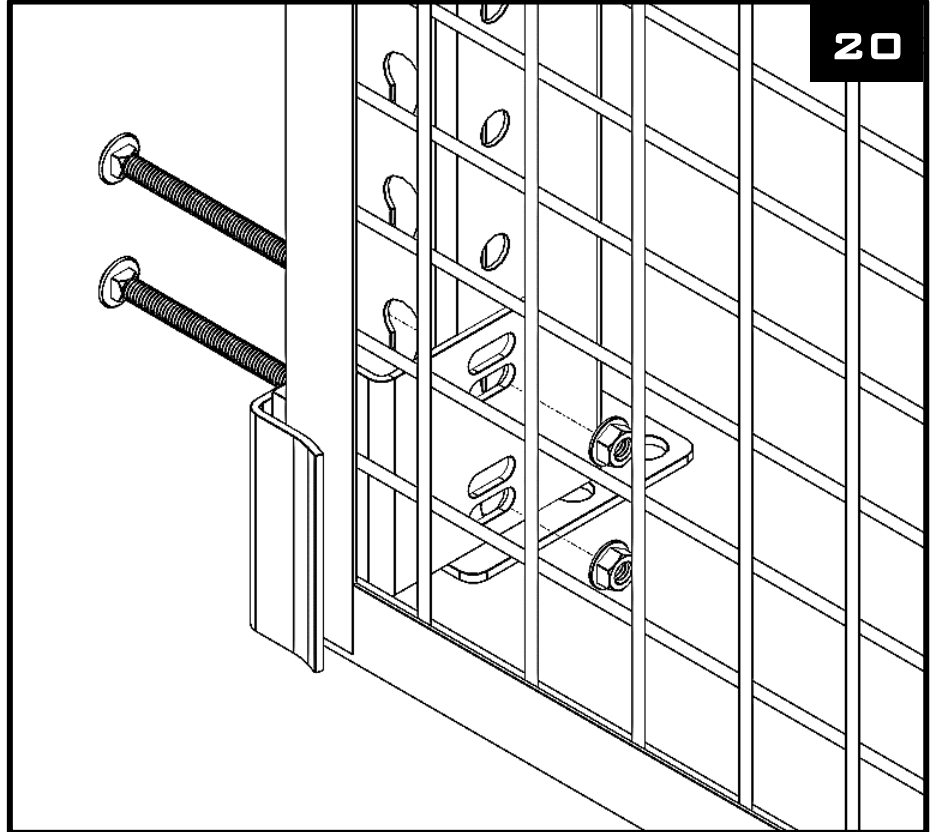
DOUBLE SLIDE PALLET RACK DOOR INSTALLATION

INSTALLING THE BOTTOM SLAM

INSTALL BOTTOM SLAM (H1371) ON THE LEFT SIDE OF THE DOOR AS SHOWN IN PICTURE 20 USING:

(2) H1108 - 5/16-18 x 3-1/2" CARRIAGE BOLT

(2) H5830 - 5/16-18 HEX FLANGE NUT



INSTALLING THE FILLER TUBE

INSTALL FILLER TUBE (PRDFTxx) ON THE RIGHT SIDE OF THE DOOR AS SHOWN IN PICTURE 21 USING:

H1109 - 3/8-16 x 1" CARRIAGE BOLT

H5837 - 3/8-16 HEX FLANGE NUT

DOUBLE SLIDE PALLET RACK DOOR INSTALLATION

INSTALLING THE DOOR STOPS

INSTALL DOOR STOPS
AS SHOWN IN PICTURE
22. FOR THE FIRST
DOOR PANEL THE STOP
GOES ON THE LEFT AND
FOR THE SECOND DOOR
PANEL THE DOOR STOP
GOES ON THE RIGHT.

