

Velox

INSTALLATION INSTRUCTIONS



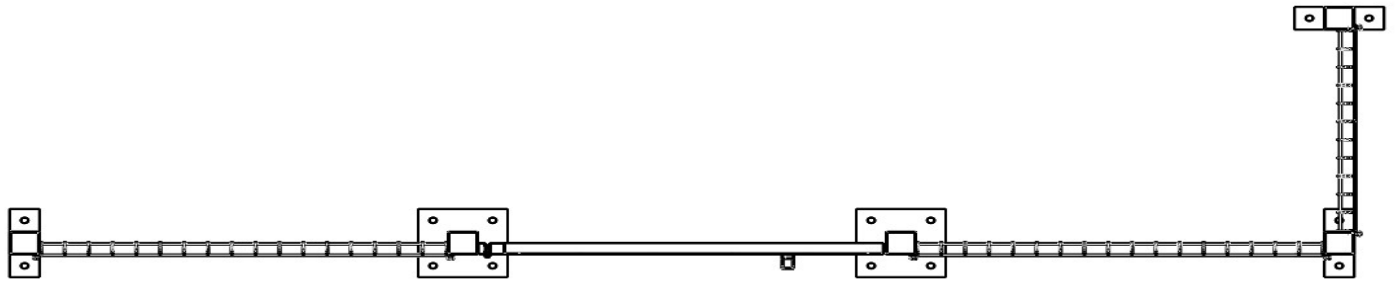
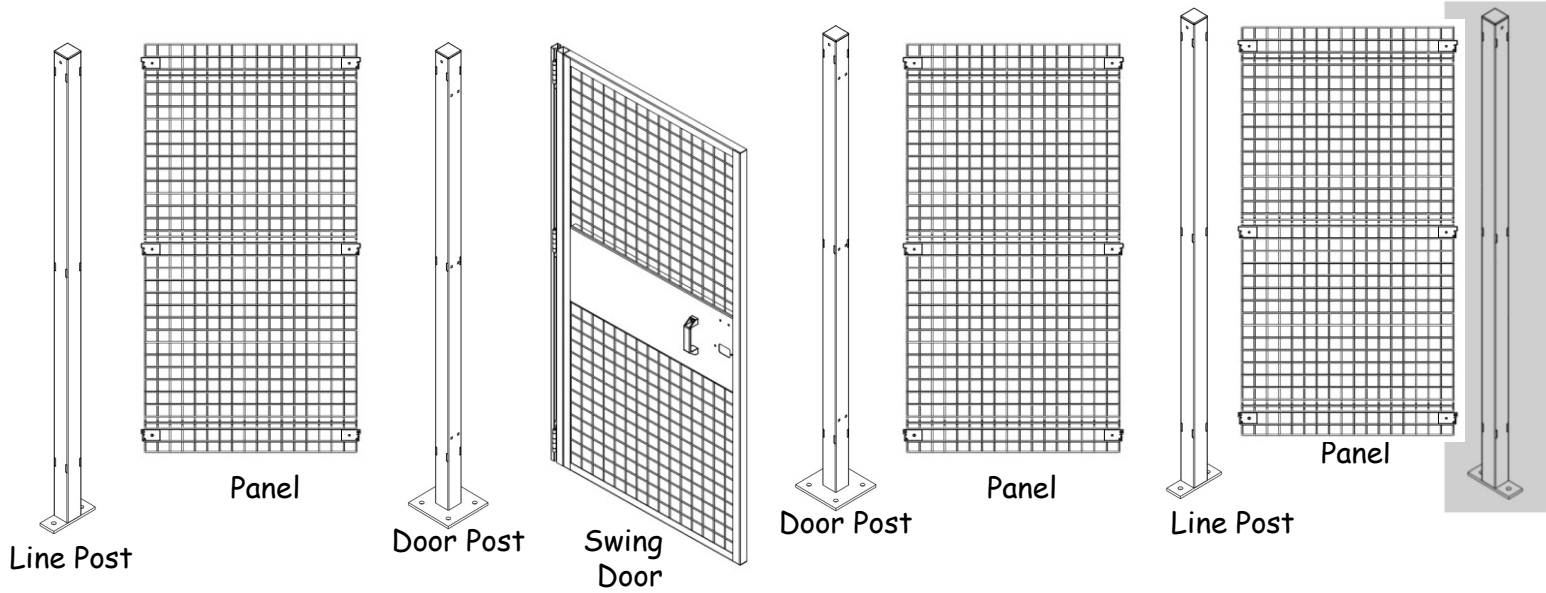
We are here to help! Please don't hesitate to call us.

Monday – Friday, 8:00am – 5:00pm EST

704-483-1900 www.getvelox.com



Sample Layout



Tools Required



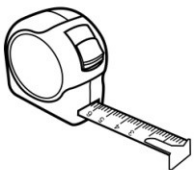
Safety Glasses



Safety Gloves



Face Shield



Tape Measure



Level



Chalk Reel



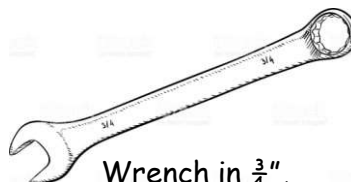
Ladder



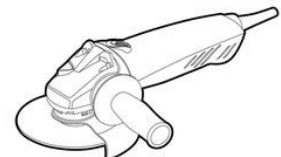
Hammer Drill
with $\frac{1}{2}$ " Drill Bit



Rubber Mallet



Wrench in $\frac{3}{4}$ ",
 $\frac{5}{16}$ " and $\frac{7}{16}$ "



Grinder

HARDWARE KITS

Your order is shipped with a cardboard box that includes hardware kits necessary for installation.

LINE/CORNER POST
KITXGPOST

Post Cap (1) $\frac{1}{2}'' \times 3 \frac{3}{4}''$ Anchor Bolt (2) Shim (1)

Post Slot Plug (11) Post Square Plug (1)

SINGLE SWING DOOR
KITXGSHD

Snap Latch Assembly (1) Door Handle (1)

$5/16''-18 \times 3''$ Carriage Bolt (8) $\frac{1}{2}''-20 \times \frac{1}{2}''$ Hex Head Bolt (4) $5/16''$ Serrated Nut (8)

$\frac{1}{2}''-20$ Hex Nut (4) M6 HEX Nut (1)

SINGLE SLIDE DOOR
KITXGSTD

Snap Latch Assembly (1) Door Handle (1)

$5/16''-18 \times 3''$ Carriage Bolt (2) $5/16''-18 \times 3 \frac{1}{2}''$ Carriage Bolt (8) $\frac{1}{2}''-20 \times \frac{1}{2}''$ Hex Head Bolt (4)

$5/16''$ Serrated Nut (10) $\frac{1}{2}''-20$ Hex Nut (4) M6 HEX Nut (1) M4 HEX Nut (2)

ADJUSTABLE CORNER POST
KITXGABJ

Post Cap (2) $\frac{1}{2}'' \times 3 \frac{3}{4}''$ Anchor Bolt (2) Post Slot Plug (10)

Shim (2)

DOUBLE SWING DOOR
KITXGSD

Snap Latch Assembly (1) Door Handle (2)

$5/16''-18 \times 3''$ Carriage Bolt (6) $\frac{1}{2}''-20 \times \frac{1}{2}''$ Hex Head Bolt (8) $5/16''$ Serrated Nut (6)

$\frac{1}{2}''-20$ Hex Nut (8) M6 HEX Nut (1)

DOUBLE SLIDE DOOR
KITXGDTD

Snap Latch Assembly (1) Door Handle (2)

$5/16''-18 \times 3 \frac{1}{2}''$ Carriage Bolt (16) $\frac{1}{2}''-20 \times \frac{1}{2}''$ Hex Head Bolt (8) $5/16''$ Serrated Nut (16)

$\frac{1}{2}''-20$ Hex Nut (8) M6 HEX Nut (1)

SWING DOOR POST
KITXGDPOST

Post Cap (1) $\frac{1}{2}'' \times 3 \frac{3}{4}''$ Anchor Bolt (4) Shim (2)

Post Slot Plug (11) Post Square Plug (1)

CUT TO FIT
XGBC

Connector Plate (6) Bolt-on Clip (2) Left (2) Right Hex Nut (6)

CUT TO FIT - NF
XGBC-NF

Connector Plate (6) Bolt-on Clip (2) Left (2) Right Hex Nut (6)

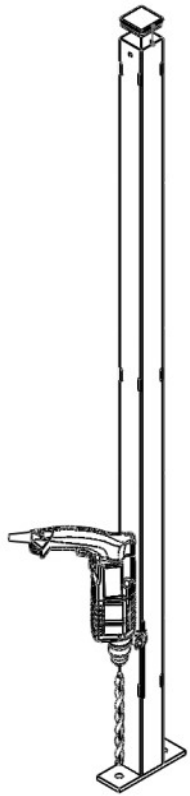
Phillips Wafer Head Screw (2)

SLIDE DOOR POST
KITXGTPOST

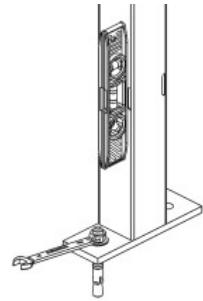
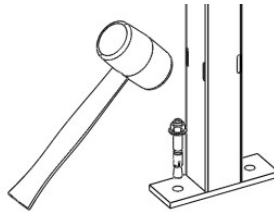
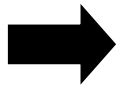
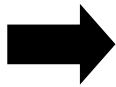
Post Cap (1) $\frac{1}{2}'' \times 3 \frac{3}{4}''$ Anchor Bolt (3) Shim (2)

Post Slot Plug (11) Post Square Plug (2)

Post Installation

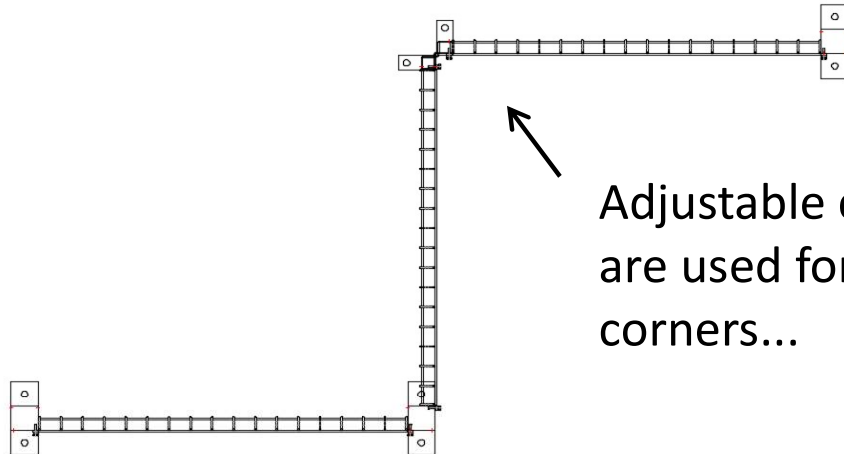
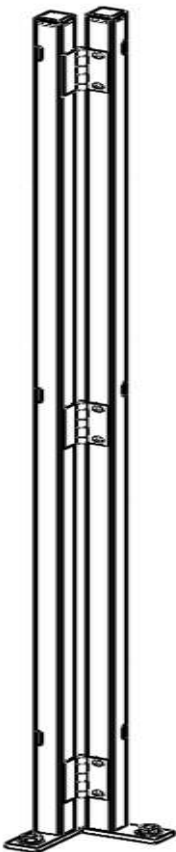


Anchor one post first, then use chalk lines to build out from there. DO NOT anchor more posts until the entire system is installed (or if the system becomes unstable).

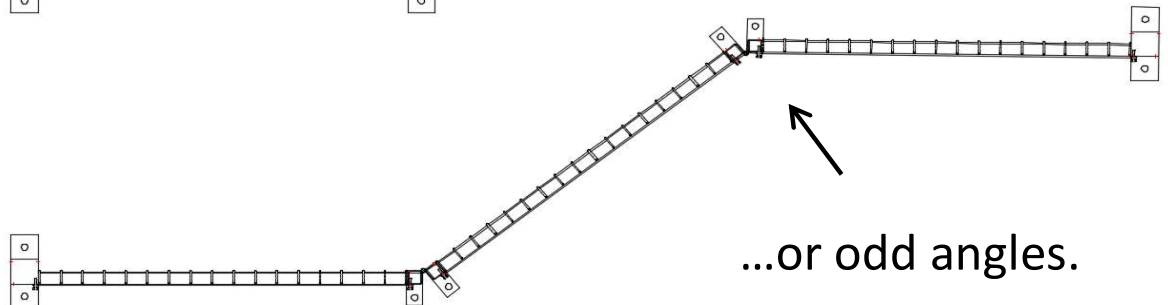


HARDWARE: KITXGPOST

Adjustable Corner Post



Adjustable corner posts are used for inside corners...

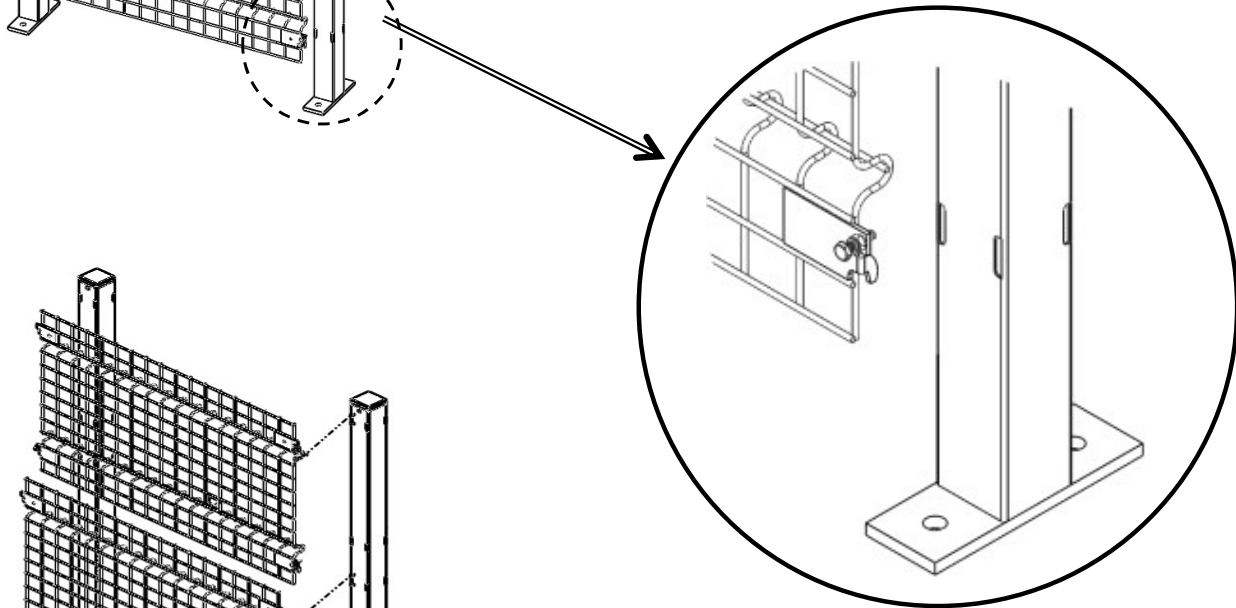
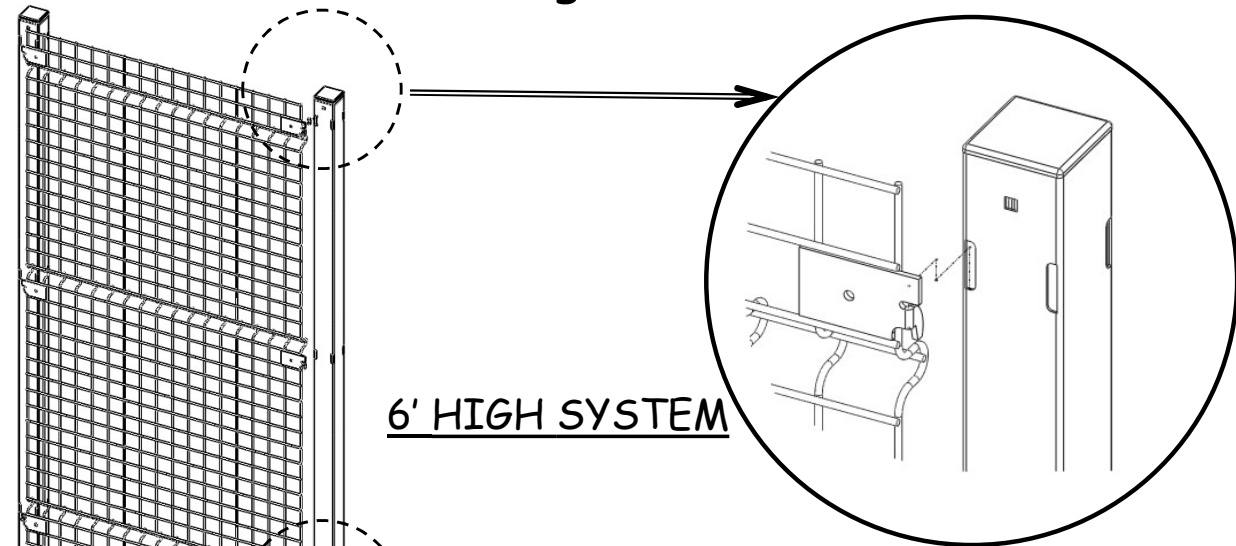


...or odd angles.

HARDWARE: KITXGADJ

Panel Installation

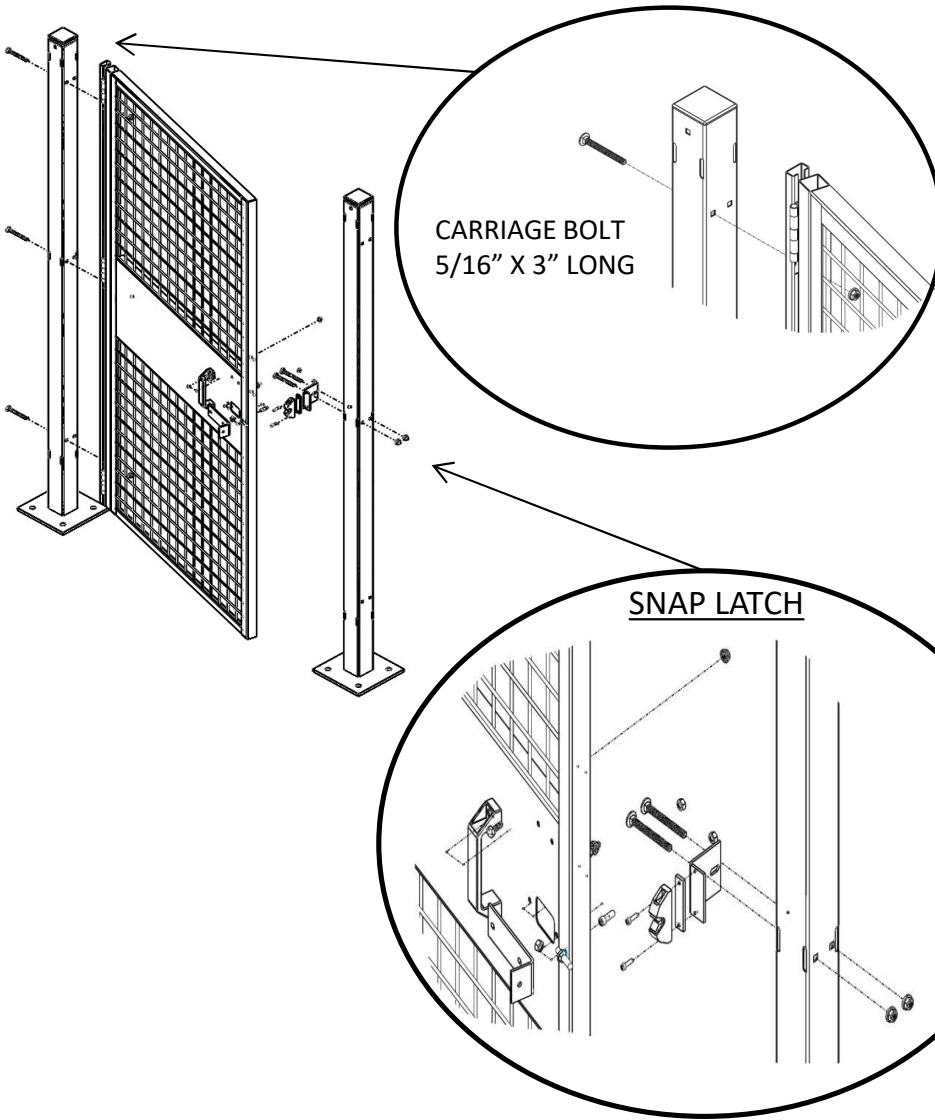
Loosen the fastener at bottom of panel prior to installation. Once the panel is in place, tighten the fastener with a hand wrench. Do not use power tool or over-tighten as this will **DAMAGE** the fastener, making it unusable.



8' High System

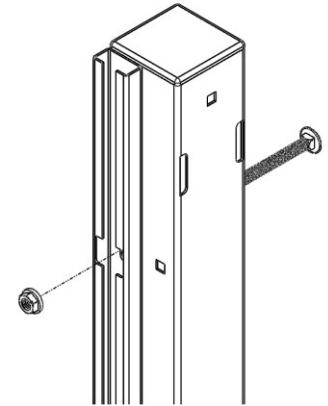
For an 8' high system, use 8' posts and add 24" high panels above the 66" panels. Connect the two panels using stack clip (KITXSTACK), 1 clip every 2 feet.

Single Swing Door

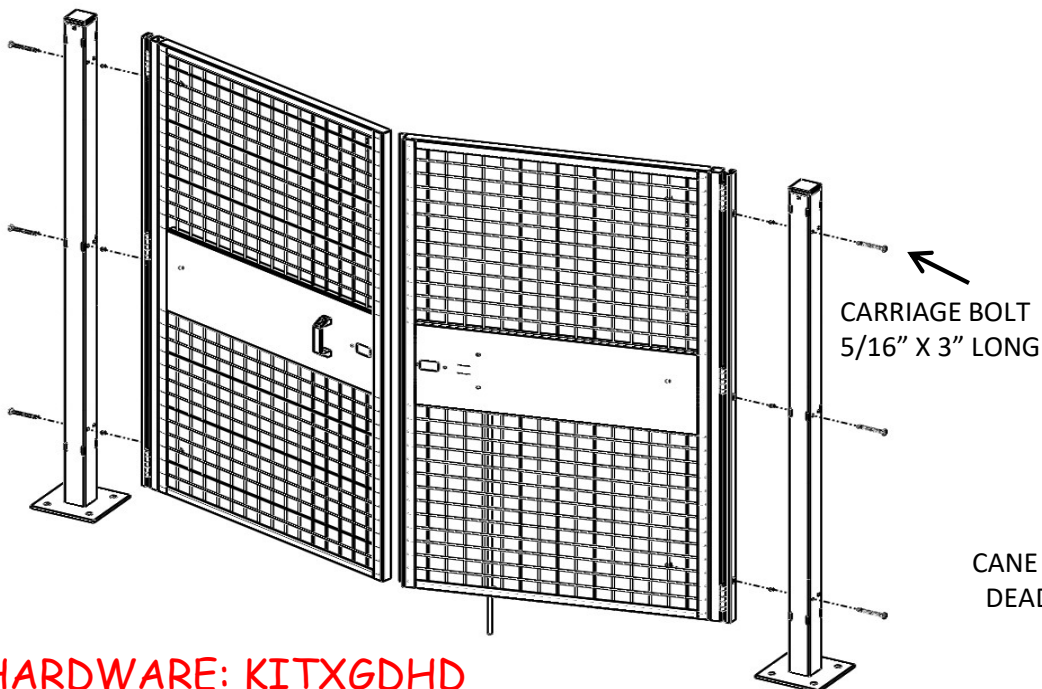


**HARDWARE:
KITXGSHD**

IF YOU ARE NOT USING THE
SNAP LATCH, YOU MUST
INSTALL THE INCLUDED
STRIKE BAR TO LATCH POST.

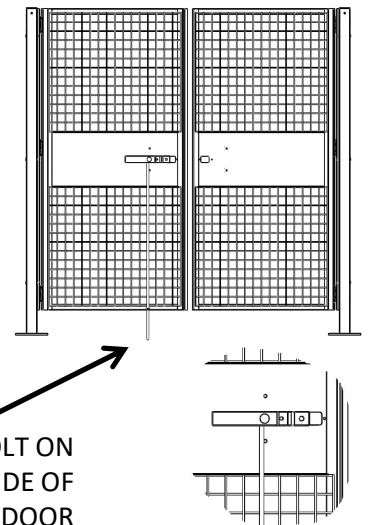


Double Swing Door



HARDWARE: KITXGDHD

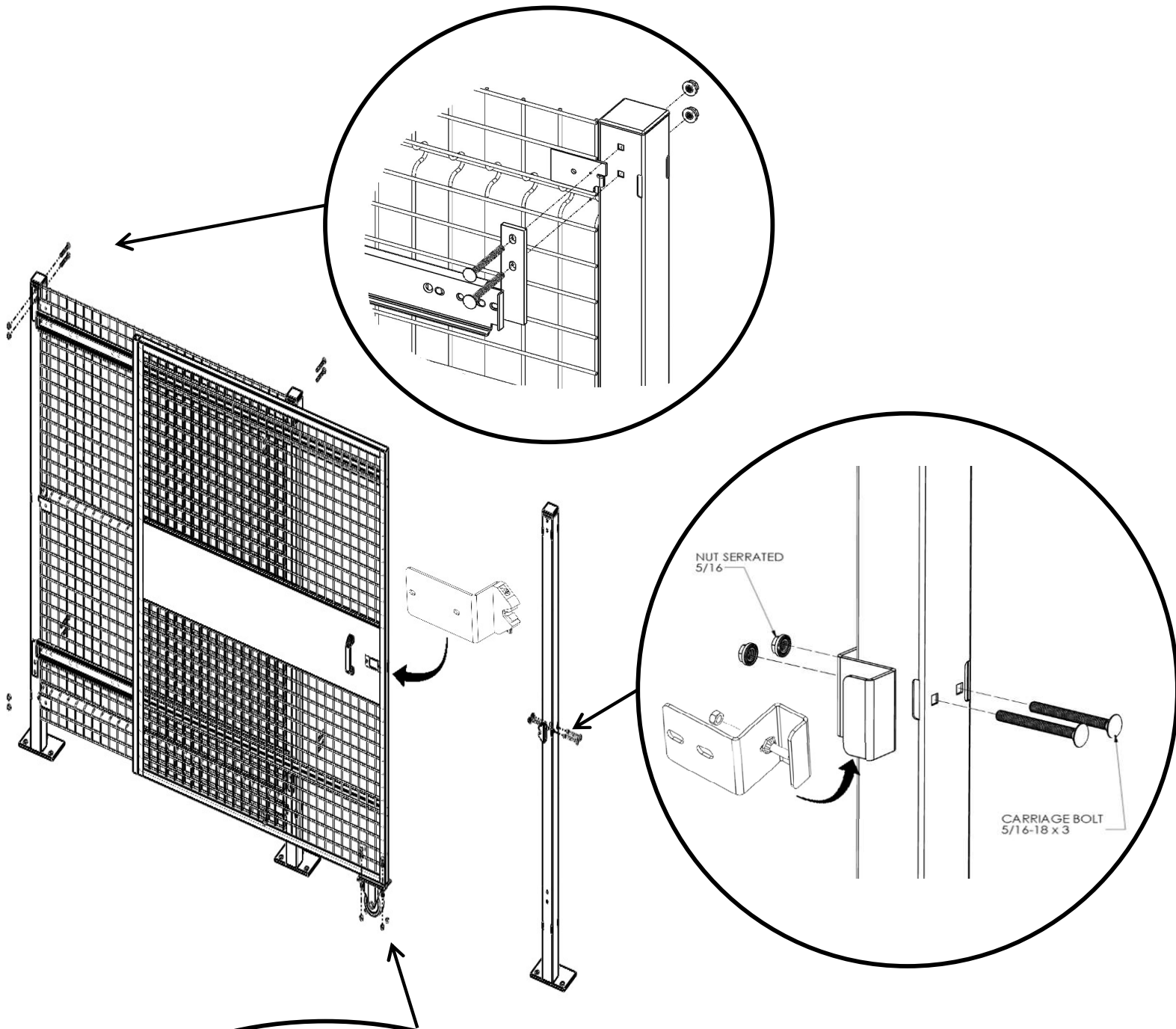
Inside View



*For an 8' system, there will be a header bar on top of the door.

Single Slide Door

Install fixed panel first. Stand door in front of fixed panel using wood blocks provided to hold door in position while attaching to posts.



NUT SERRATED
5/16

CARRIAGE BOLT
5/16-18 x 3

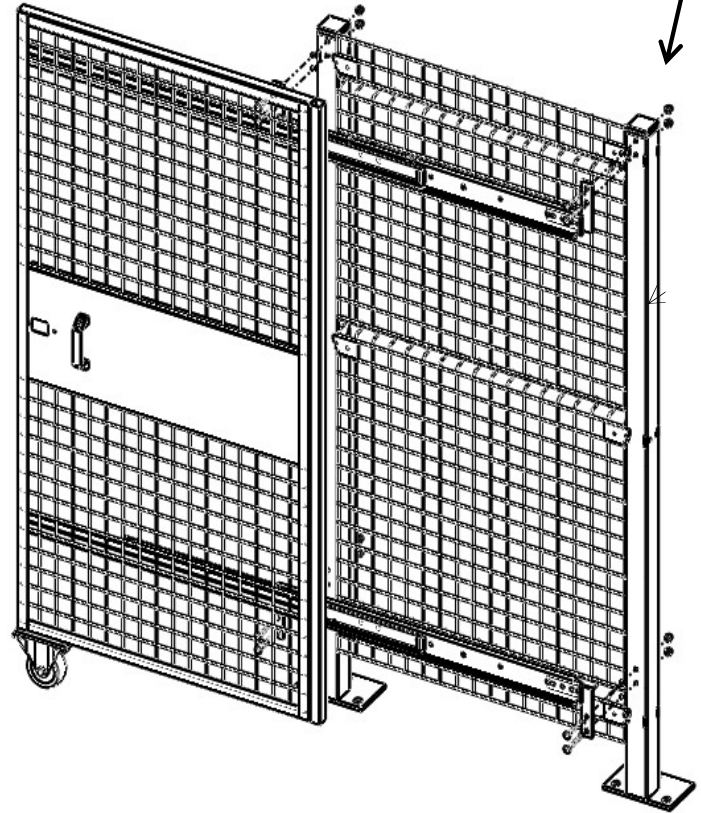
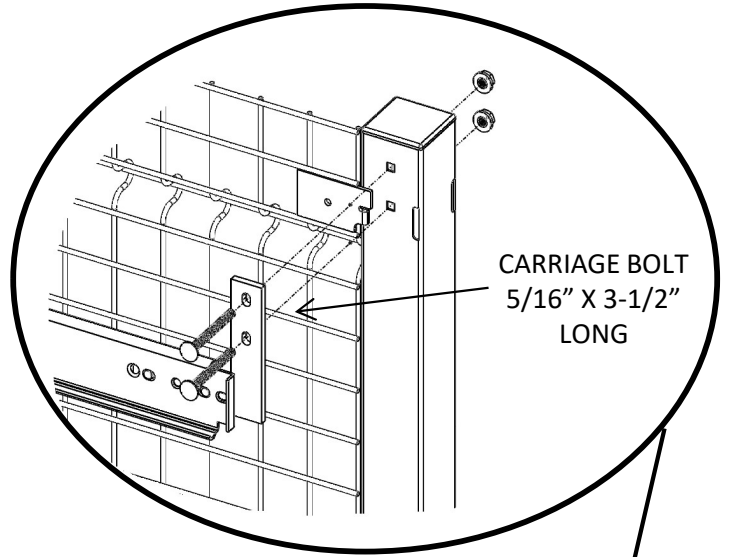
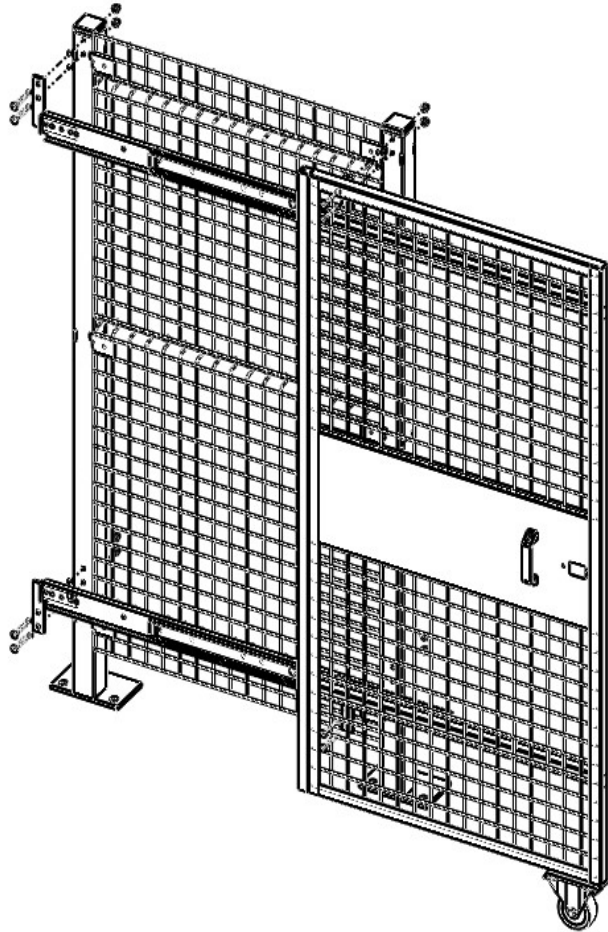
BOLT, 1/4-20 x 3/4"
HEX HEAD

HEX NUT
1/4-20 TOOTH FLANGE

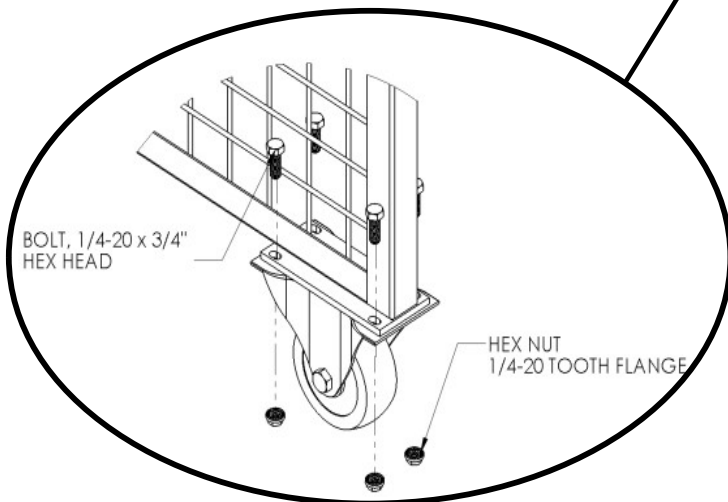
HARDWARE: KITXGSTD

Mount caster prior to mounting door.

Double Slide Door



Attach caster to the plate that is welded to the door frame.

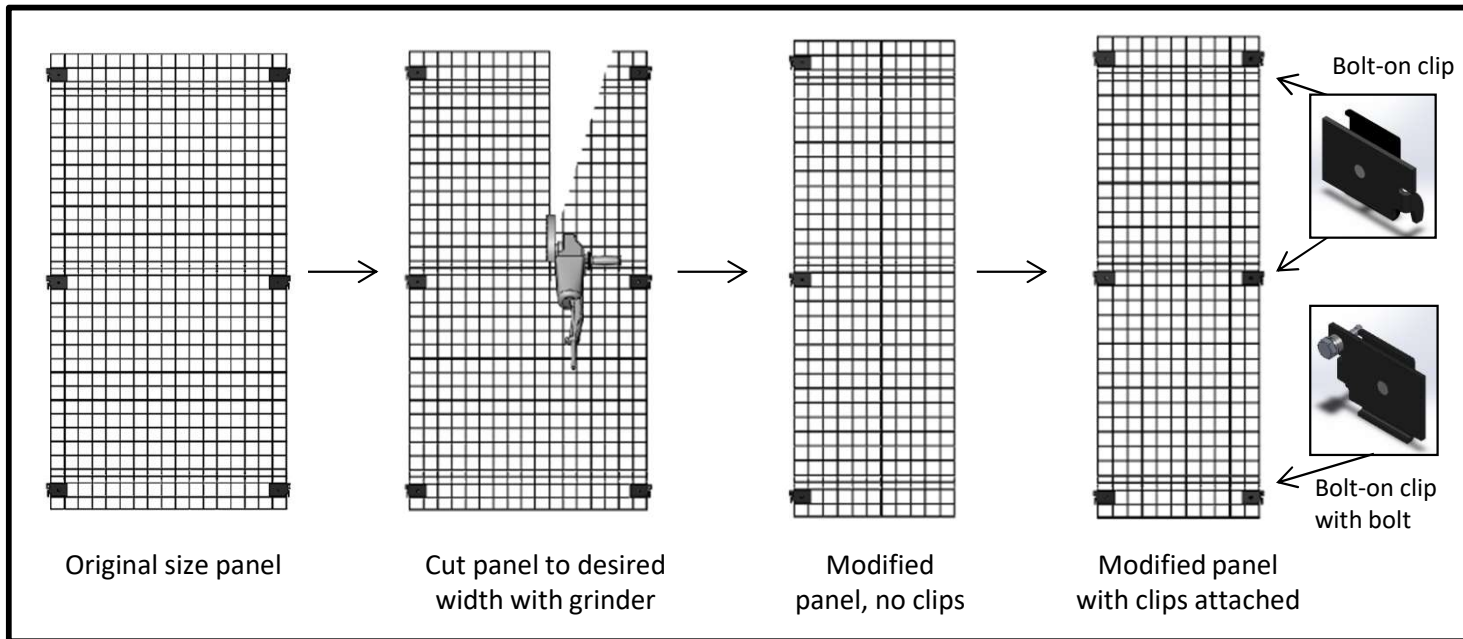


HARDWARE: KITXGDTD

Cut to Fit Panels - Width

WIDTH MODIFICATION – USE XGBC

Modify in the field to create the exact panel width you need. XGBC includes 3 left hand and 3 right hand clips. A 6' high system requires a total of 3 bolt-on clips while an 8' high system requires a total of 5 bolt-on clips.



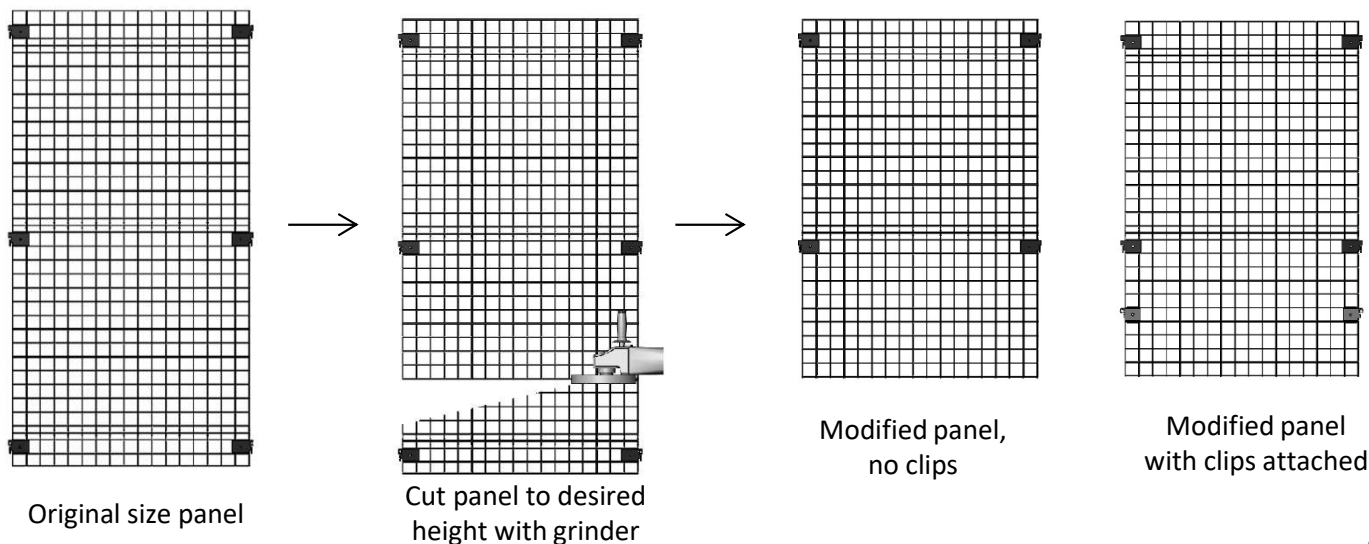
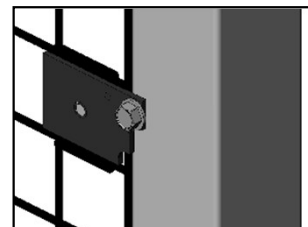
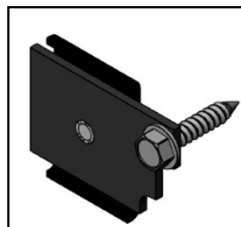
*When working on an 8' high system, cut one side of the 66" high panel and the opposite side on the 24".

Cut to Fit Panels - Height

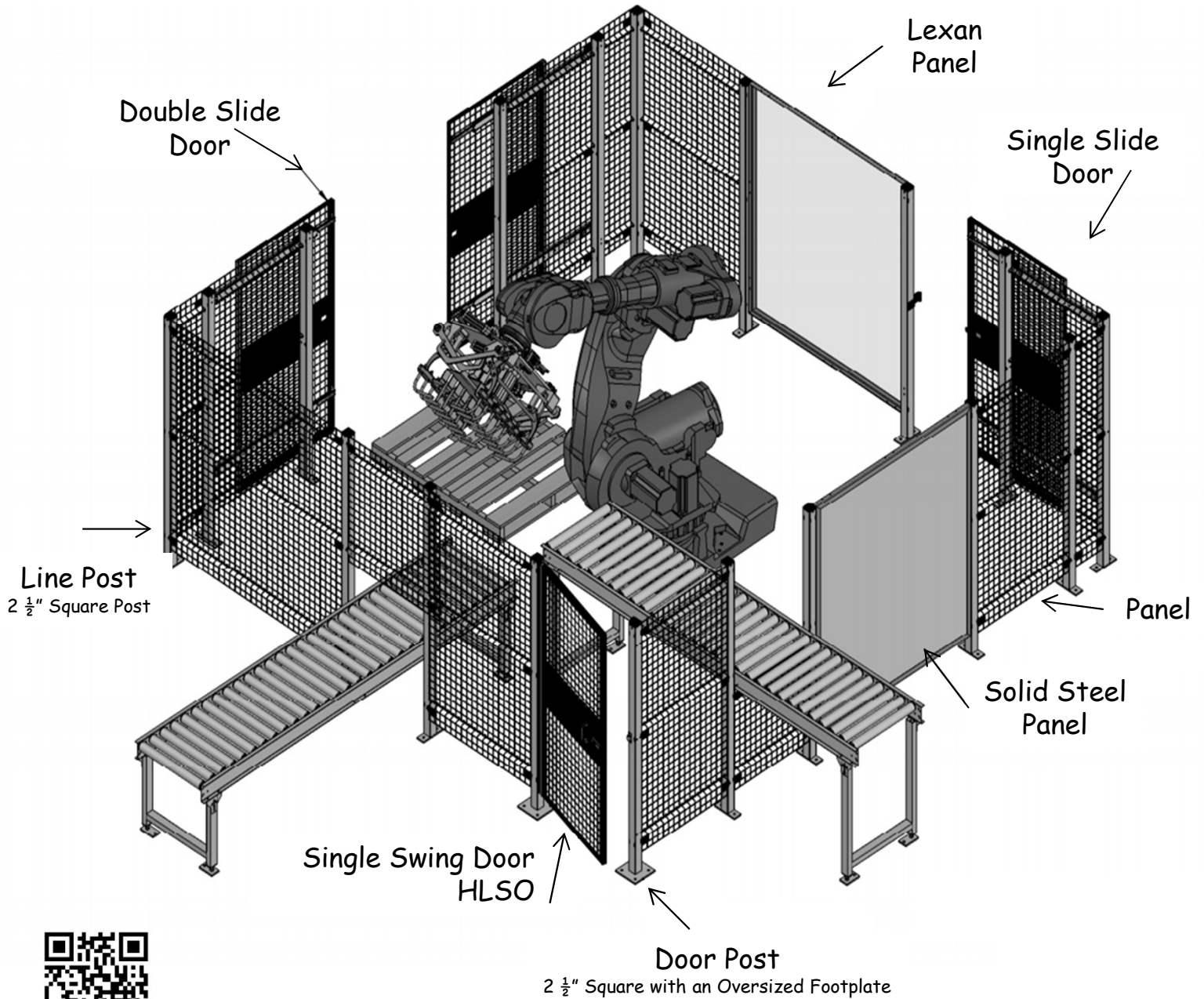
HEIGHT MODIFICATION – USE XGBC-NF IF NEEDED

Modify in the field to create the exact height you need.

If the bolt-on clips do not line up with pre-punched holes in the post, use XGBC-NF to secure panel to post with the included self-tapping screws.



Velox



Husky Rack & Wire
704-483-1900
www.getvelox.com