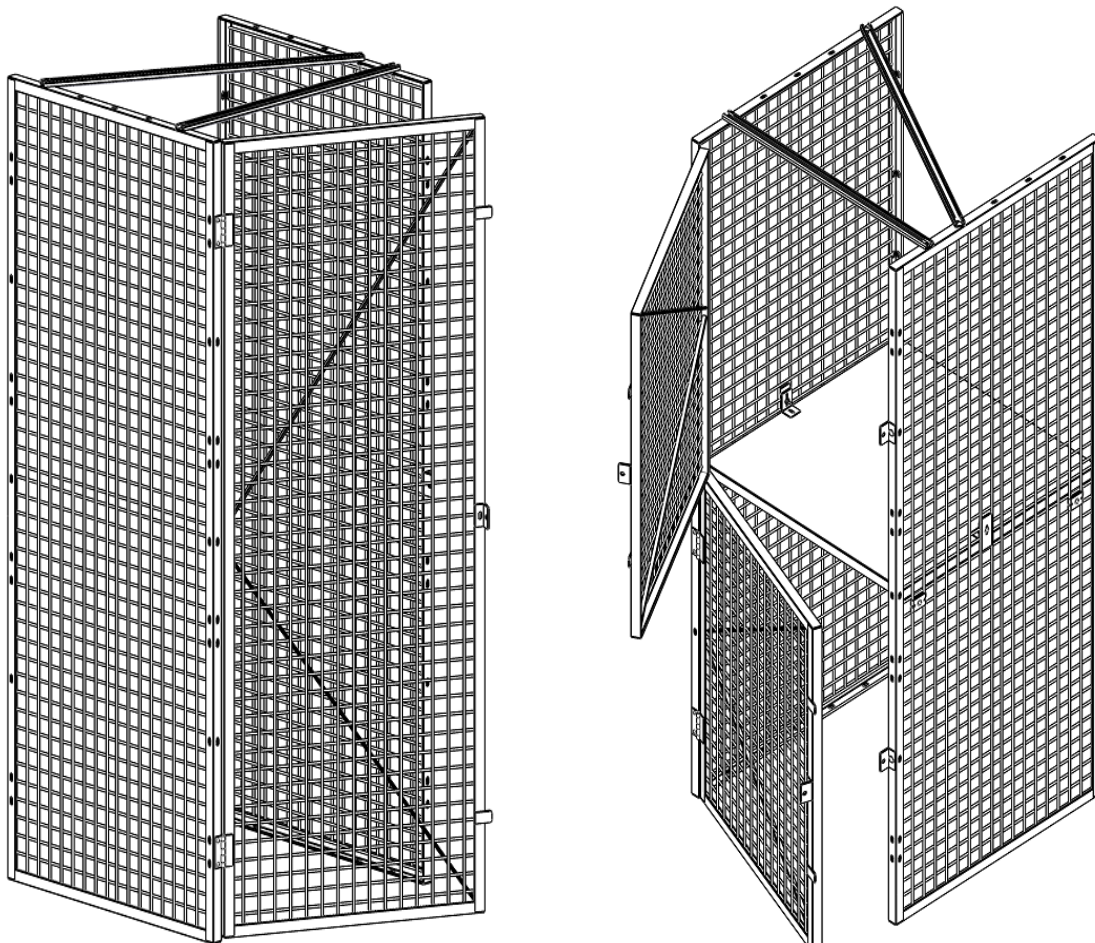




HUSKY RACK & WIRE™



Tools Needed for Installation

- Level
- Tape Measure
- Step Ladder
- Work Gloves
- 1/4" Masonry Drill Bit
- Hammer
- Safety Glasses
- Ratchet
- Ratchet Extension
- 7/16" Socket
- 1/2" Socket
- Hammer Drill

GENERAL INFORMATION

Table of Contents

General Information

Prior to Installation.....	2
----------------------------	---

Installation

Starter Side Panel Installation	3
Ceiling Support Bar Installation	4
Ceiling Panel Installation	5
Back Panel Installation	6
Back-To-Back Installation	6
Adder Side Panel Installation	7
Single Door Panel Installation	9
Double Door Panel Installation	10
Shelf Installation	11

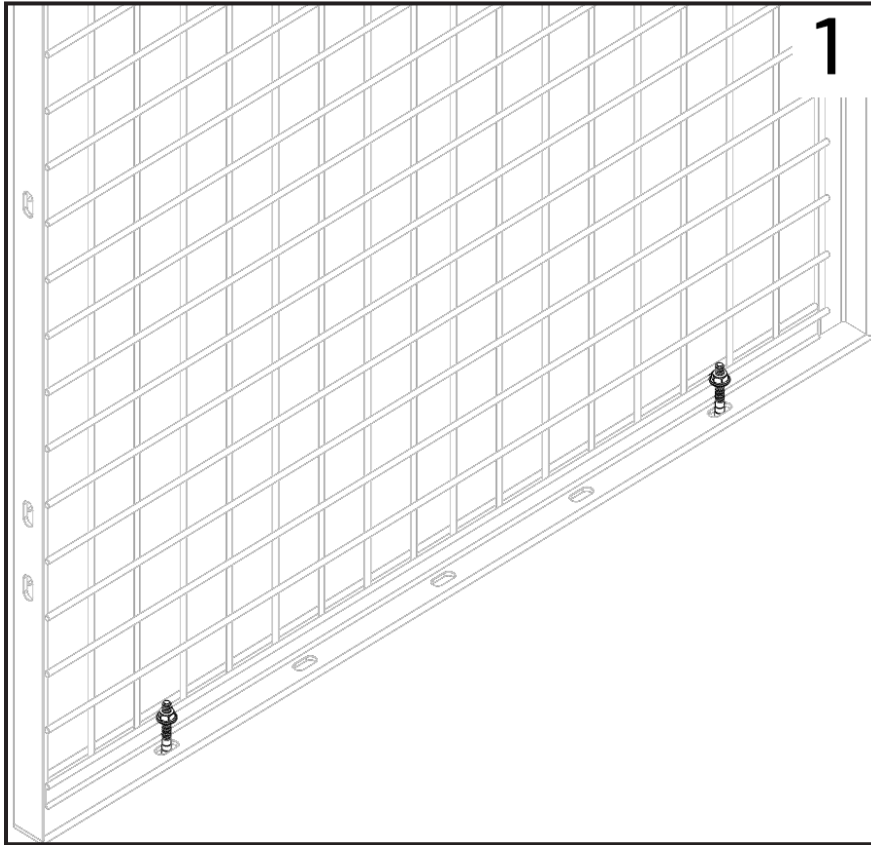
This guide provides information on safe and proper installation of Husky Rack & Wire (Husky) Tenant Storage Locker products. The installation drawings that follow are intended as basic guides to installation of standard Husky components. Additional information and videos can be found on our website at www.huskyrackandwire.com. Failure to properly install, use and maintain Husky products can result in loss of use, collapse, property damage, personal injury or death. All users should carefully read these instructions in their entirety and ensure that all members of the installation crew are trained regarding proper installation procedures and applicable safety protocols.

Warnings

- Inspect all items received and compare to the enclosed packing list. If hardware or components are missing, contact Husky immediately.
- The Tenant Storage Locker structure must be installed in a plumb, level, and square condition. Floor shims should be utilized as needed to ensure a level installation. The area where the product is to be installed should be free of all obstructions. Every upright must be anchored to an adequate concrete floor.
- If unstable during installation, temporary bracing may be necessary until the product is completely assembled.
- Do not install outdoors unless specifically designed by Husky for outdoor use.
- Do not intermingle new and existing/used parts, and do not combine with products made by other manufacturers.
- Do not cut, weld or in any other way modify any component of your Husky product.
- Do not substitute any parts or hardware not approved in writings by Husky.
- Do not install damaged or compromised components.
- **Never** climb on Husky products, during or after assembly.

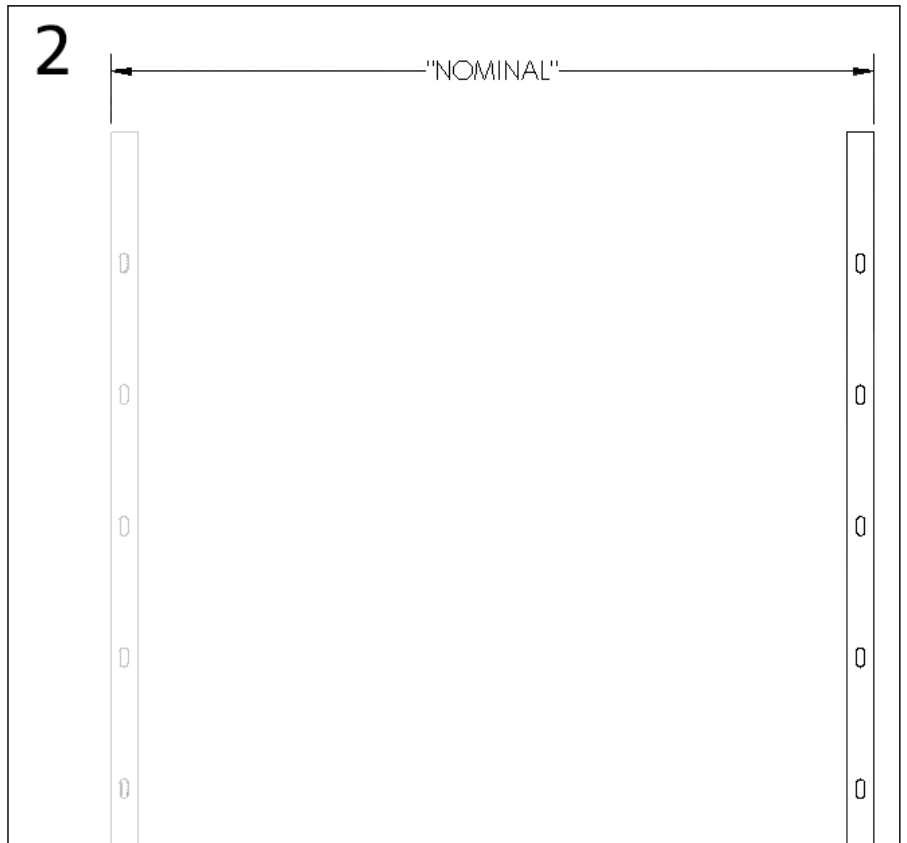
PROPER ASSEMBLY IS THE RESPONSIBILITY OF THE OWNER AND IS NOT COVERED BY ANY WARRANTY OF HUSKY. HUSKY DISCLAIMS ALL LIABILITY WITH RESPECT TO INSTALLATION OF ITS PRODUCTS.

STARTER SIDE PANEL INSTALLATION



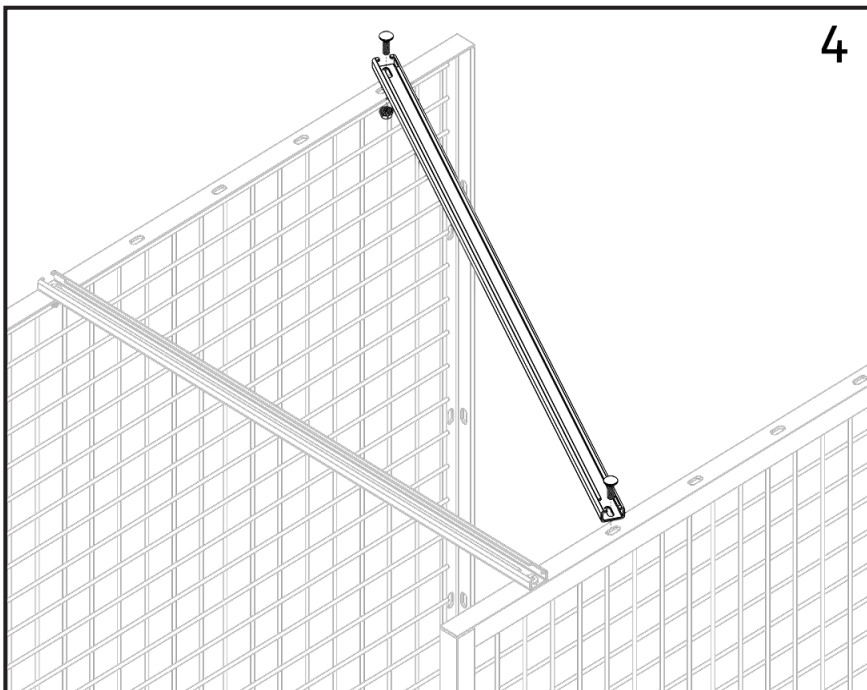
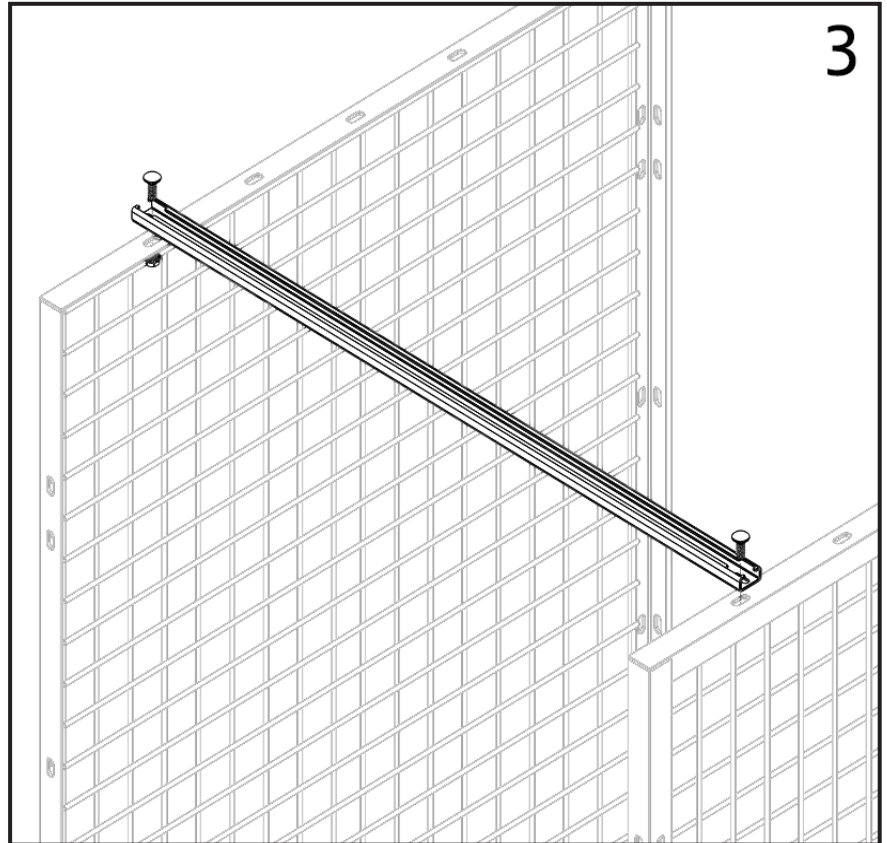
Using a 1/4" masonry drill bit and provided **H1028 -1/4" Anchor Bolts**; anchor the first panel down as shown in **Picture 1**.

Place the second panel at a nominal distance away from the first panel. **NOTES:** Ensure that the two panels are in line and square before moving to the next step. Do not anchor the second panel until ceiling support bars or ceiling panel (if ordered) and back panel (if ordered) are installed and the locker is square and level.



CEILING SUPPORT BAR INSTALLATION

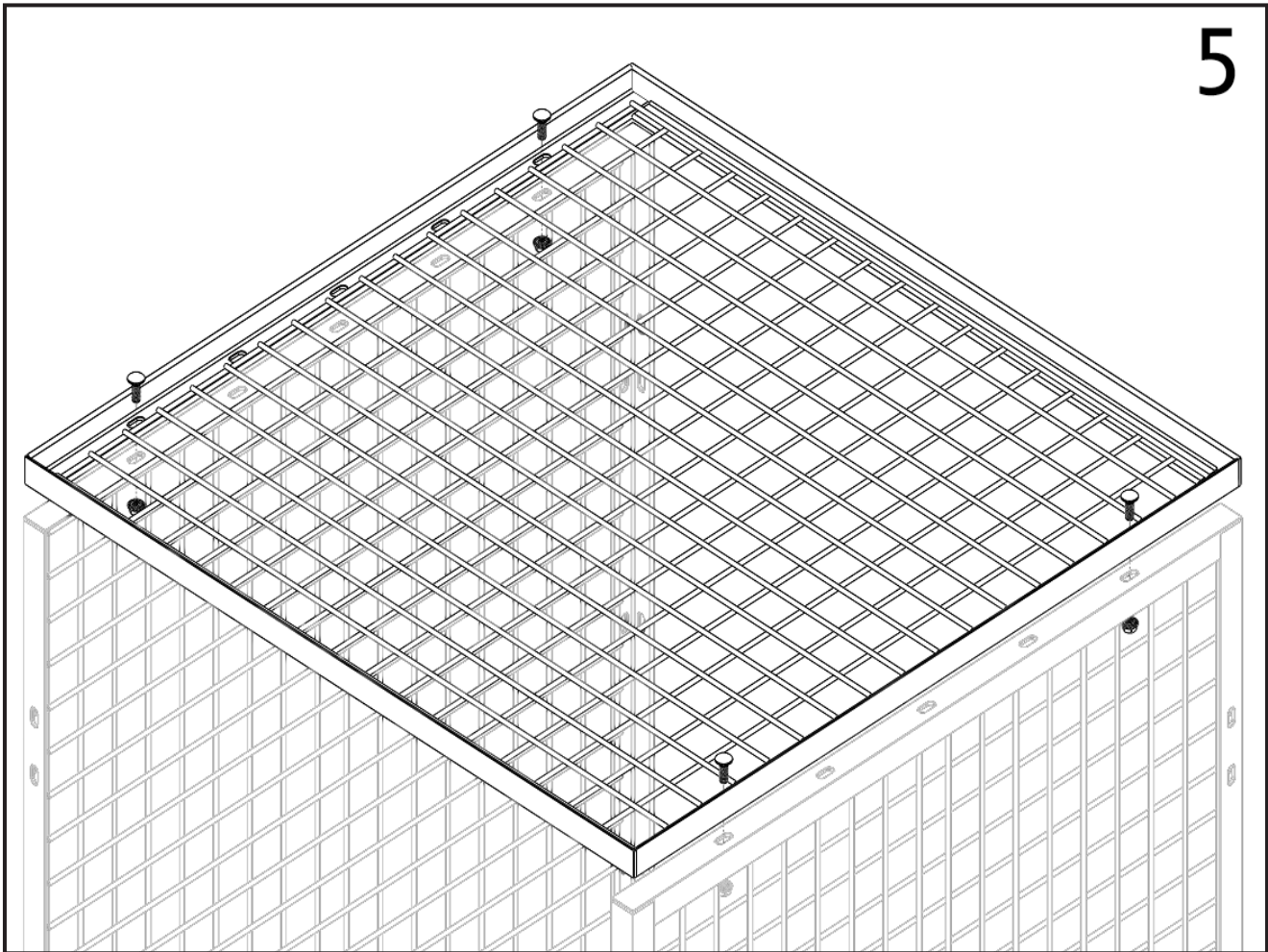
Identify the shorter of the two ceiling support bars and bolt it on the top of the side panels using the front slots of the side panel. Use **(2) H1117 - 5/16-18 x 1" Carriage Bolts** and **(2) H5830 - 5/16-18 Hex Flange Nuts** to attach the support bar.



Identify the longer of the two ceiling support bars and bolt it on the top of the side panels, diagonally. Use **(2) H1117 - 5/16-18 x 1" Carriage Bolts** and **(2) H5830 - 5/16-18 Hex Flange Nuts** to attach the support bar.

CEILING PANEL INSTALLATION

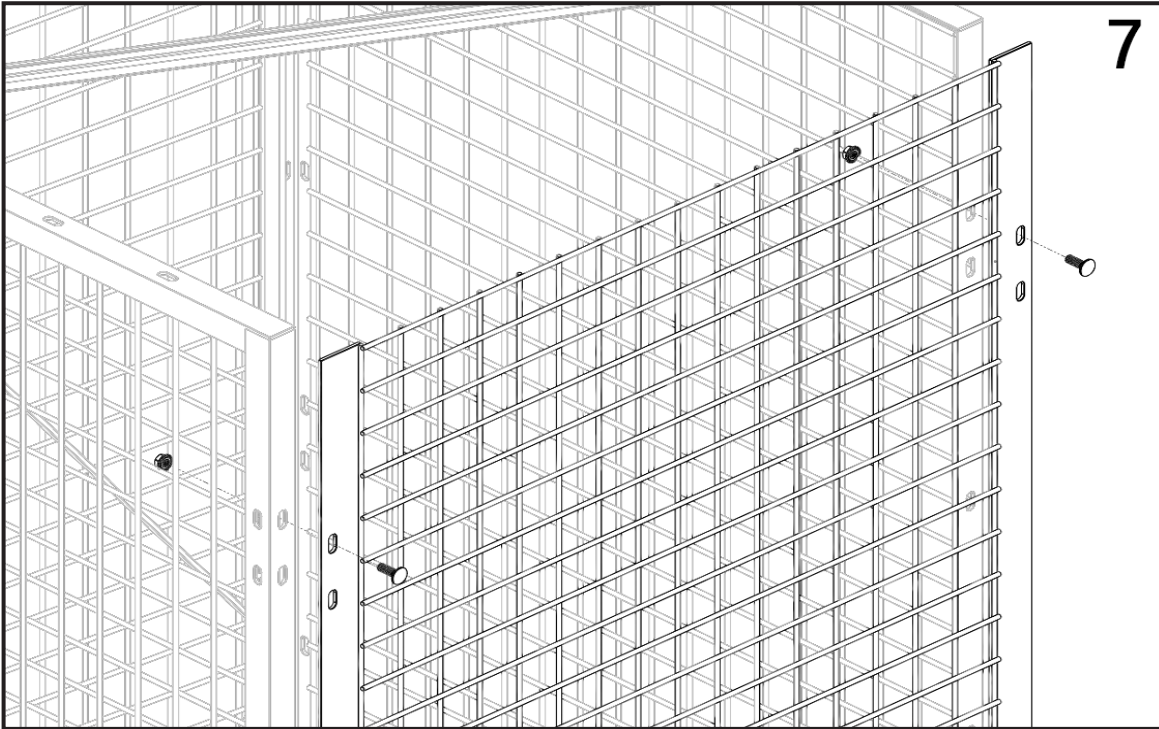
Option



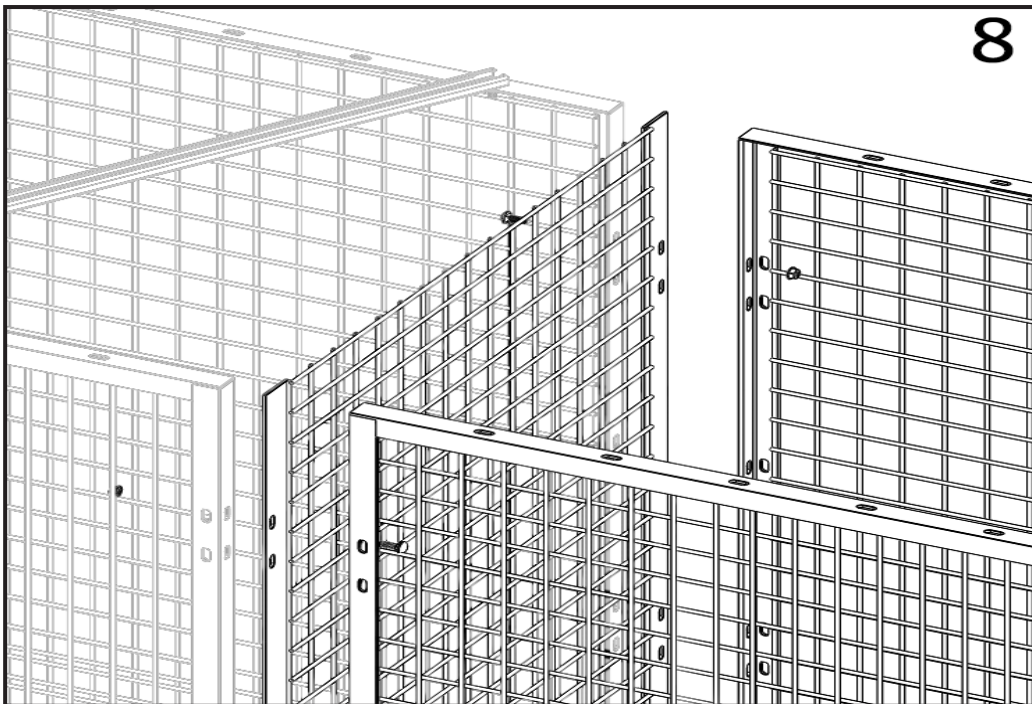
Once the side panels are installed, bolt the ceiling panel on the top of the side panels using (4) **H1117 - 5/16-18 x 1" Carriage Bolts** and (4) **H5830 - 5/16-18 Hex Flange Nuts**.

BACK PANEL/BACK-TO-BACK INSTALLATION

Option



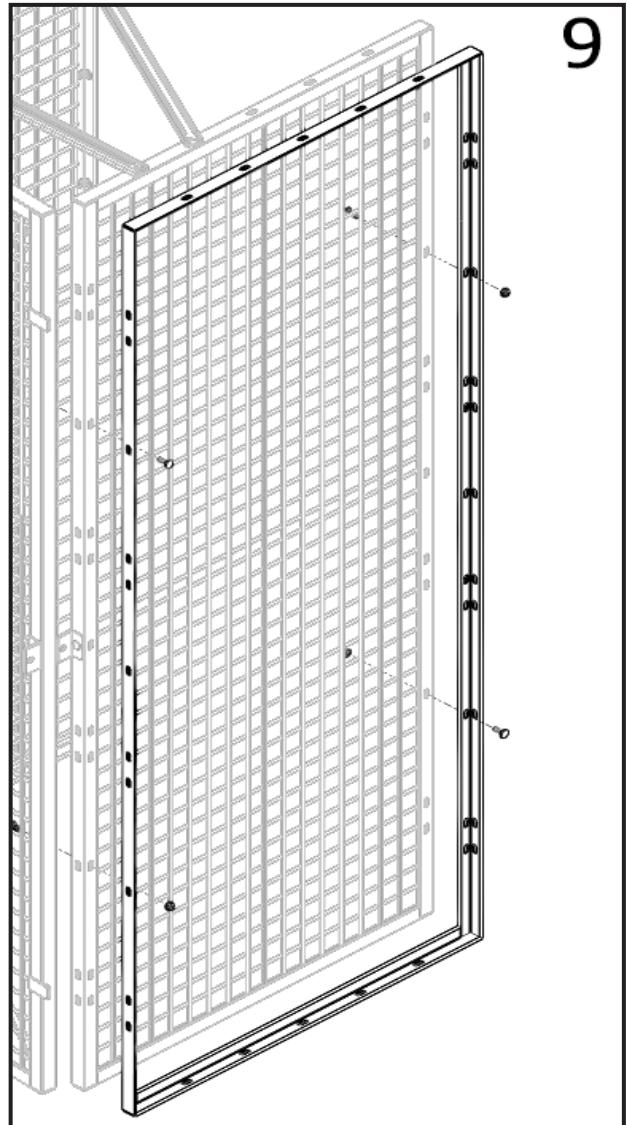
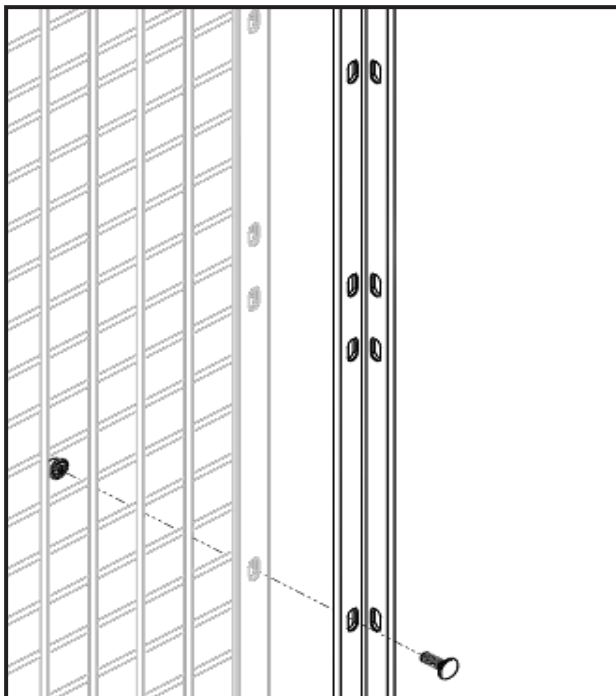
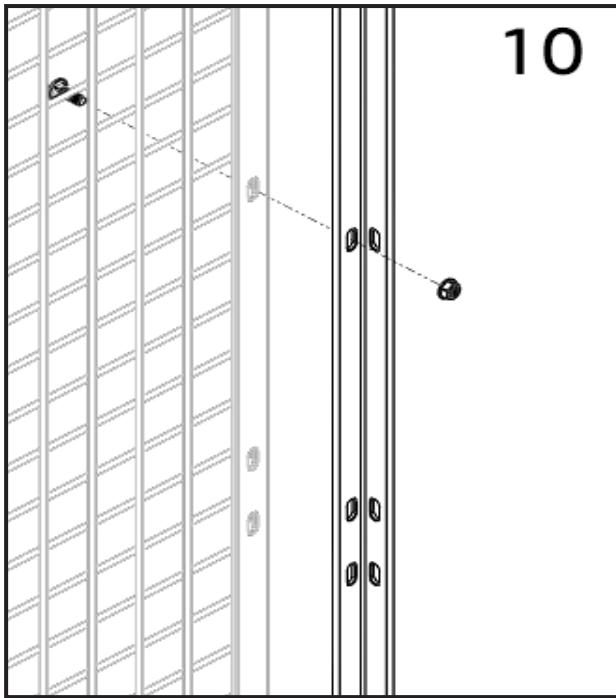
Install back panel as shown in **Picture 7** using (4) **H1117 - 5/16-18 x 1" Carriage Bolts** and (4) **H5830 - 5/16-18 Hex Flange Nuts**.



If lockers are being installed Back-To-Back with a back panel, bolt the cages and back panel together by alternating the direction of the four bolts as shown in **Picture 8** using (4) **H1117 - 5/16-18 x 1" Carriage Bolts** and (4) **H5830 - 5/16-18 Hex Flange Nuts**.

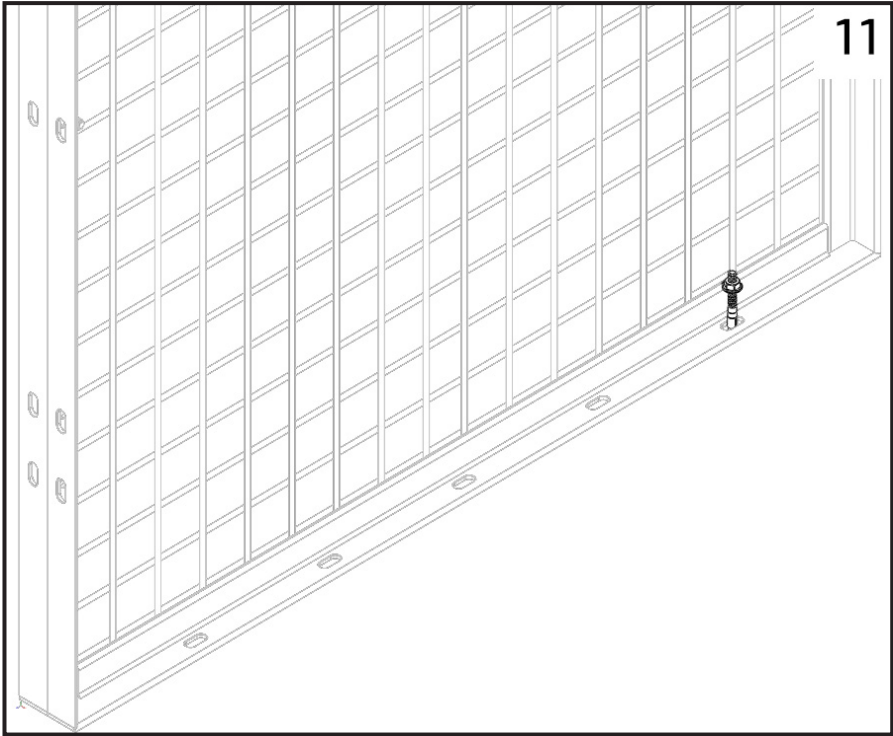
ADDER PANEL INSTALLATION

Identify the meshless angle frame panel and bolt it to the side of the existing starter side panel as shown in **Pictures 9 & 10** using (4) **H1117 - 5/16-18 x 1" Carriage Bolts** and (4) **H5830 - 5/16-18 Hex Flange Nuts**.



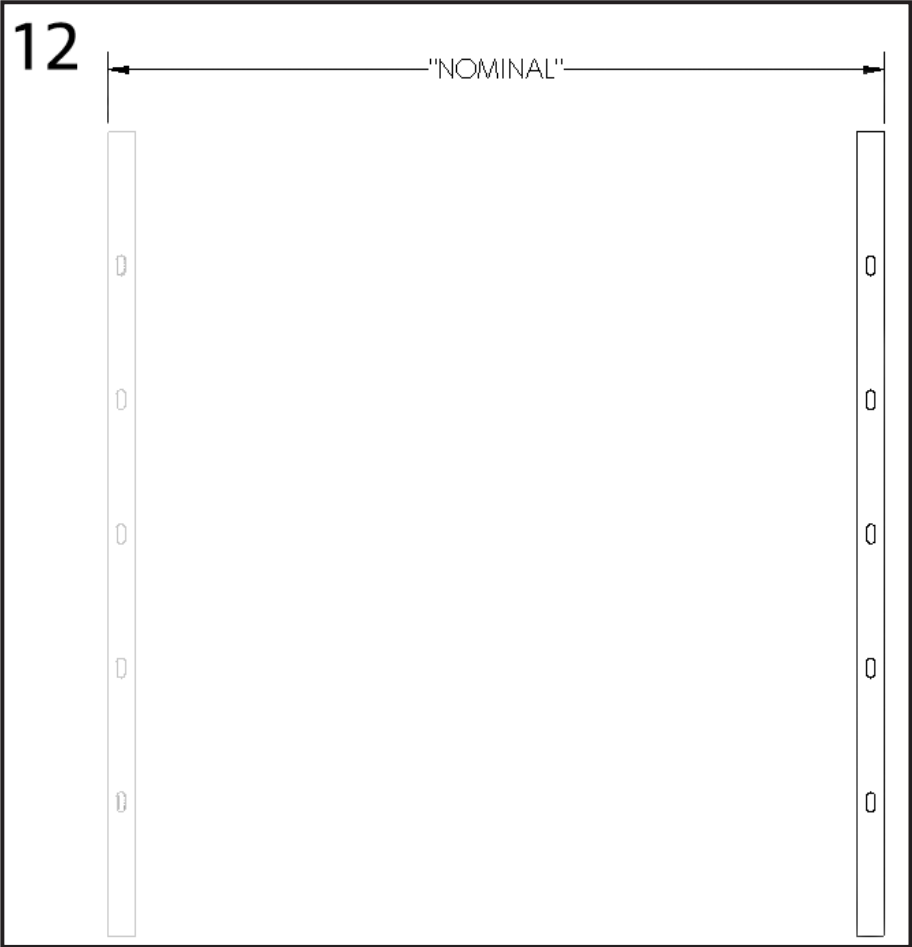
NOTE: Alternate the direction of the bolts and nuts to give tenants a more secure area. Also be sure to avoid slots where clinch studs will be for door installation.

ADDER SIDE PANEL INSTALLATION



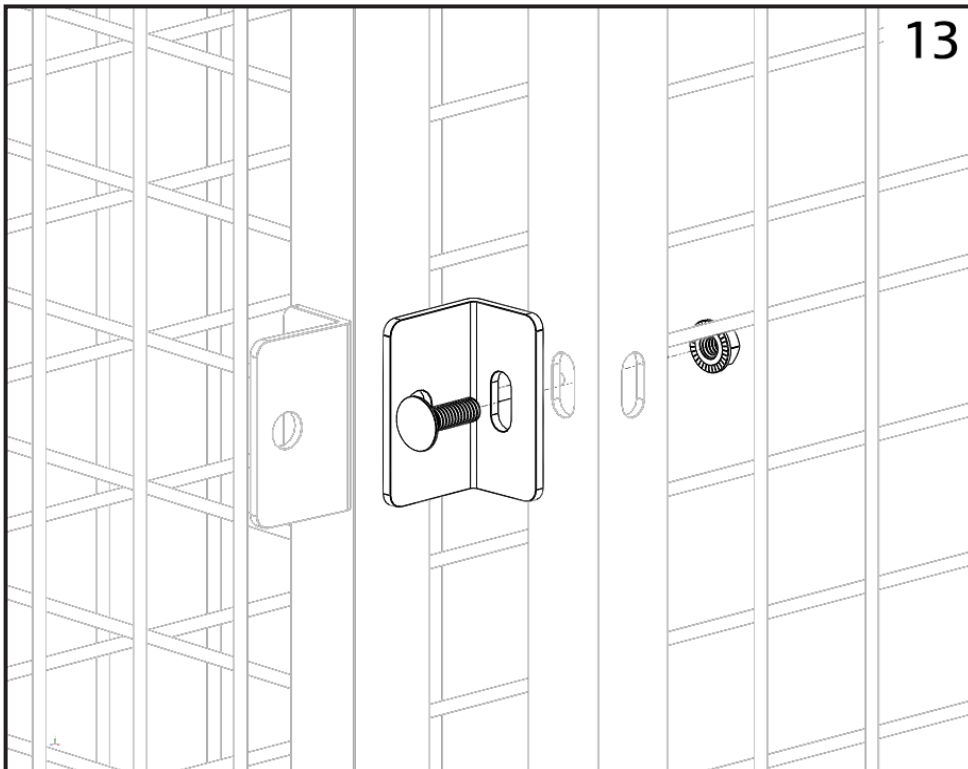
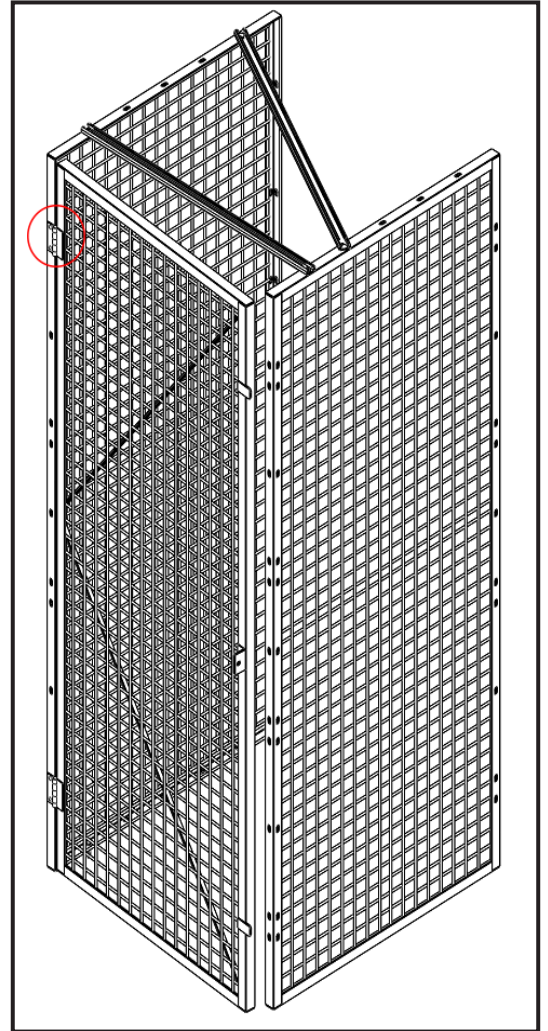
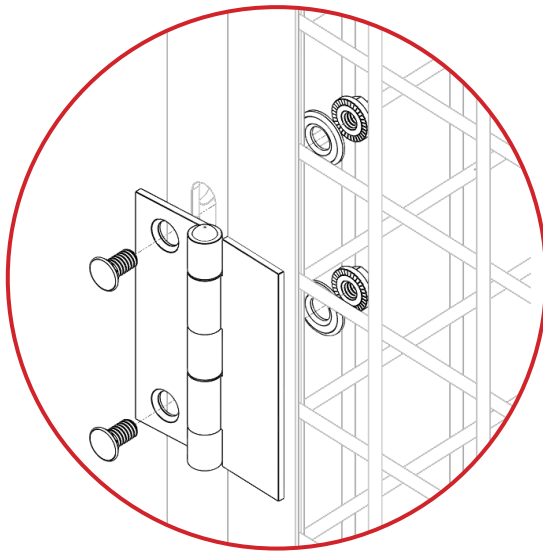
Anchor the filler panel using the back slot and provided **H1028 - 1/4" Anchor Bolt**.

Place the second panel at a nominal distance away from the first panel. **NOTES:** Ensure that the two panels are in line and square before moving to the next step. Do not anchor the second panel until ceiling support bars or ceiling panel (if ordered) and back panel (if ordered) are installed and the locker is square and level. Only two anchors will be provided for each adder locker. Alternate anchors for best results.



SINGLE DOOR PANEL INSTALLATION

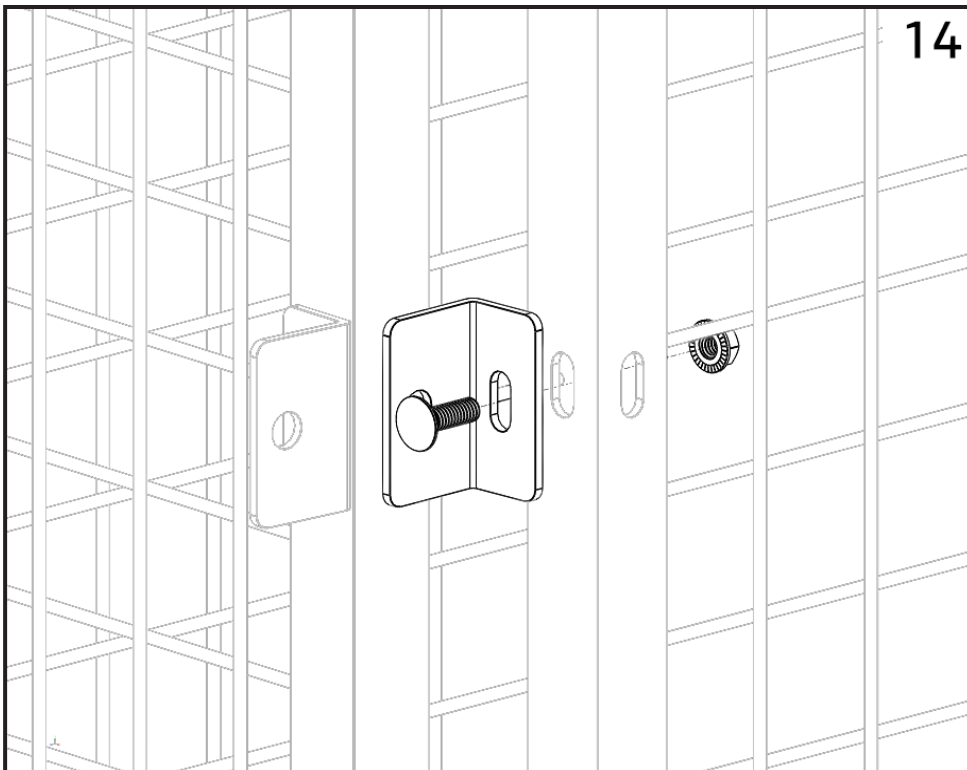
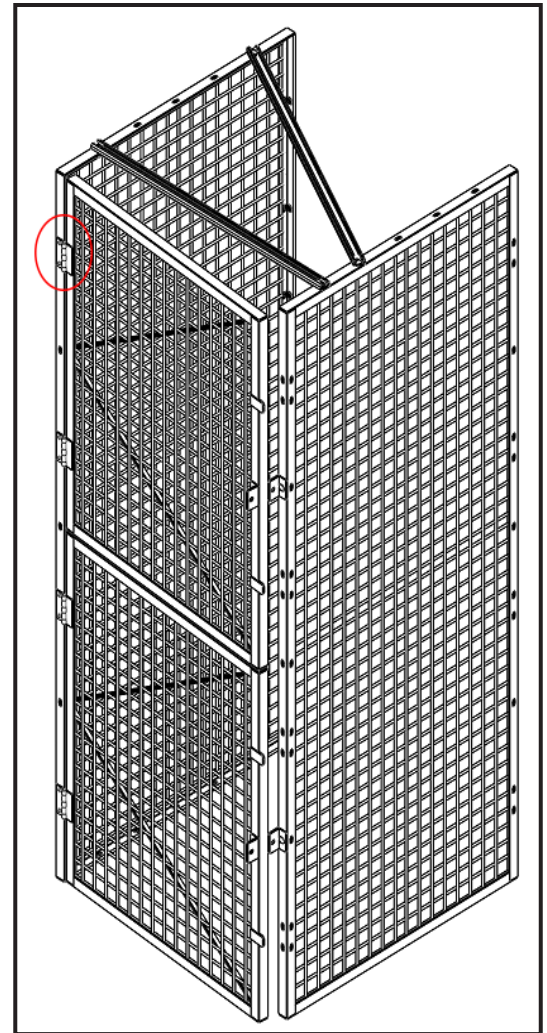
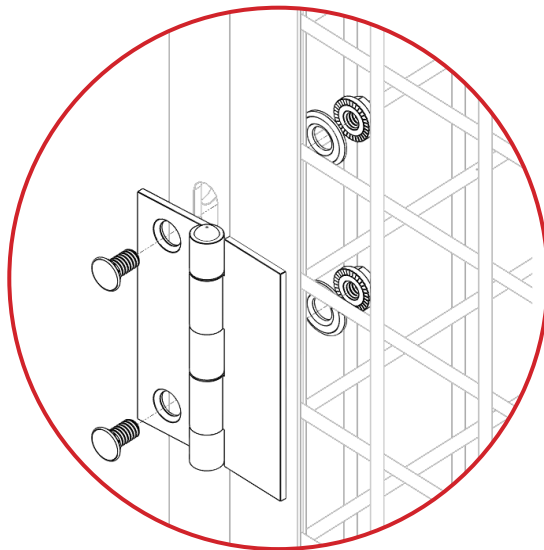
Hang door starting with the top two slots on the front face of the side panels using (4) **H1125 - 1/4-20 x 1/2" Clinch Studs**, (4) **H1137 - 5/16" Flat Washer**, and (4) **H5849 - 1/420 Hex Flange Nuts** but, **do not fully tighten until door has been checked for level.** **NOTE:** Doors can be hung on either side of the locker.



Attach padlock hasp on the front of the side panel as shown using (1) **H1117 - 5/16-18 x 1" Carriage Bolt** and (1) **H5830 - 5/16-18 Hex Flange Nut.**

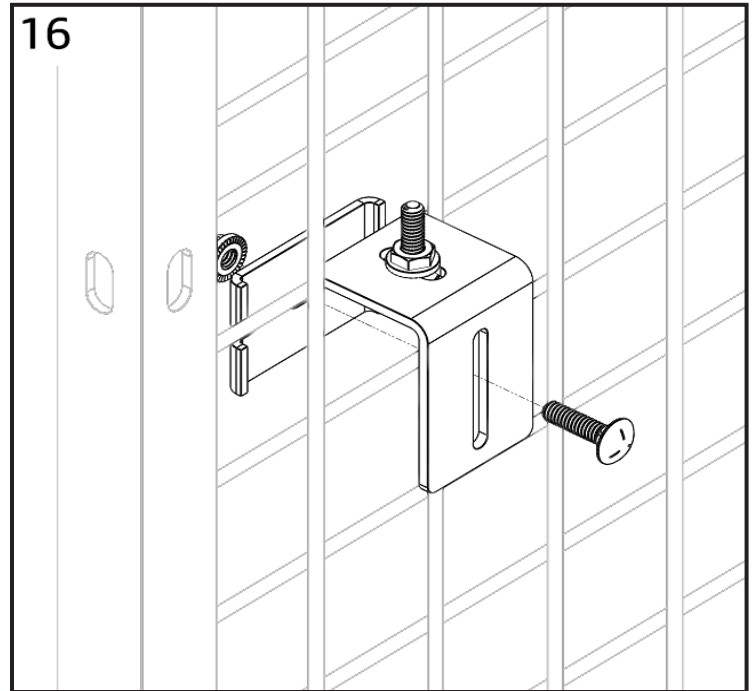
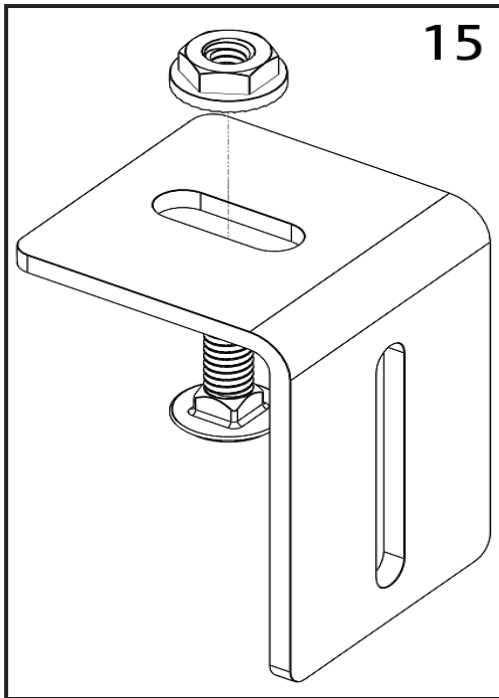
DOUBLE DOOR PANEL INSTALLATION

Hang door starting with the top two slots on the front face of the side panels using (4) **H1125 - 1/4-20 x 1/2" Clinch Studs**, (4) **H1137 - 5/16" Flat Washer**, and (4) **H5849 - 1/420 Hex Flange Nuts** but, do not fully tighten until doors have been checked for level. **NOTE:** Doors can be hung on either side of the locker. Repeat for bottom door using next set of slots on the side panel.

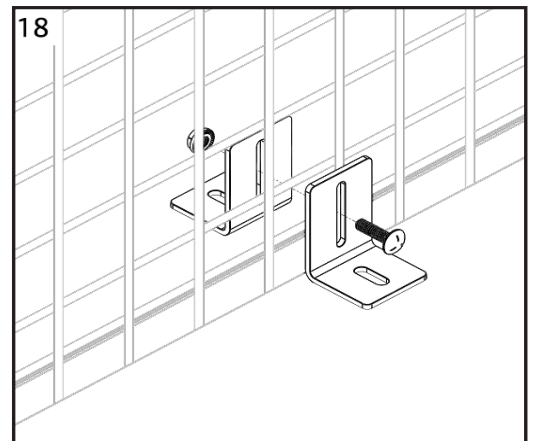
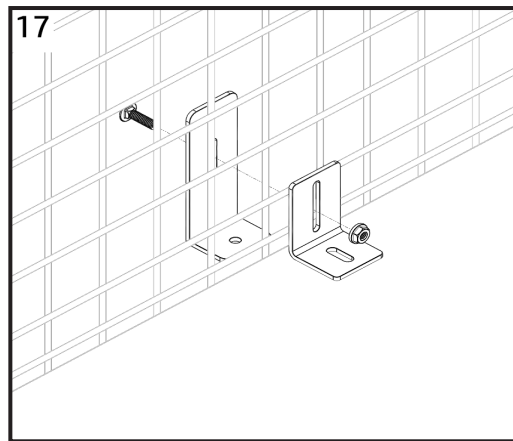
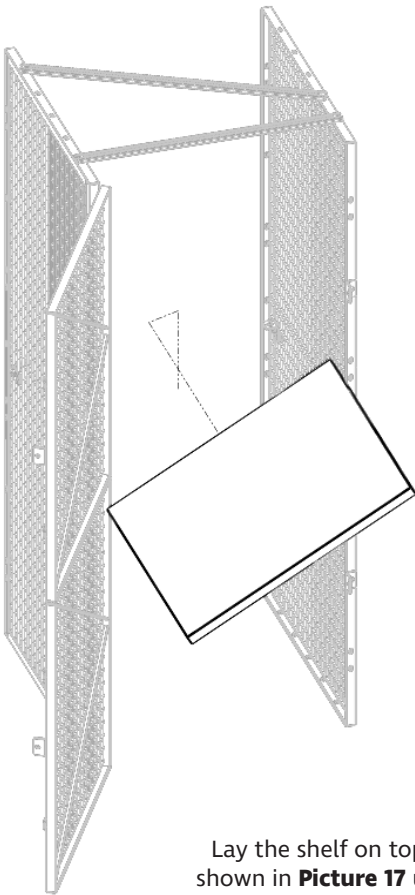


Attach padlock hasp on the front of the side panel as shown using (1) **H1117 - 5/16-18 x 1" Carriage Bolt** and (1) **H5830 - 5/16-18 Hex Flange Nut.**

SHELF INSTALLATION



Identify the shelf clip and insert bolt and nut as shown in **Picture 15** using (1) **H1101 - 1/4-20 x 1" Carriage Bolt** and (1) **H5849 - 1/4-20 Hex Flange Nut**. Some adjustments may be needed to ensure the shelf fits correctly. Bolt the shelf clip to the mesh in four locations as shown in **Picture 16** using (1) **H1101 - 1/4-20 x 1" Carriage Bolt**, (1) **H5849 - 1/4-20 Hex Flange Nut**, and (1) **M4000 - Mounting Clip**.



Lay the shelf on top of the installed shelf clips. Bolt the shelf clip on top of the shelf in two places as shown in **Picture 17** using (1) **H1101 - 1/4-20 x 1" Carriage Bolt**, (1) **H5849 - 1/4-20 Hex Flange Nut**, and (1) **H1501 - Outside Shelf Clip**. **NOTE:** If adder units are being installed, install the H1501 on the outsides of the cage. Bolt the two shelf clips together between the cages as shown in **Picture 18**.