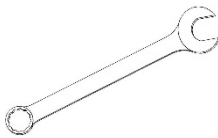
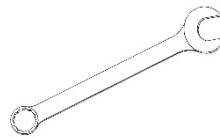


---

**TOOLS REQUIRED:**

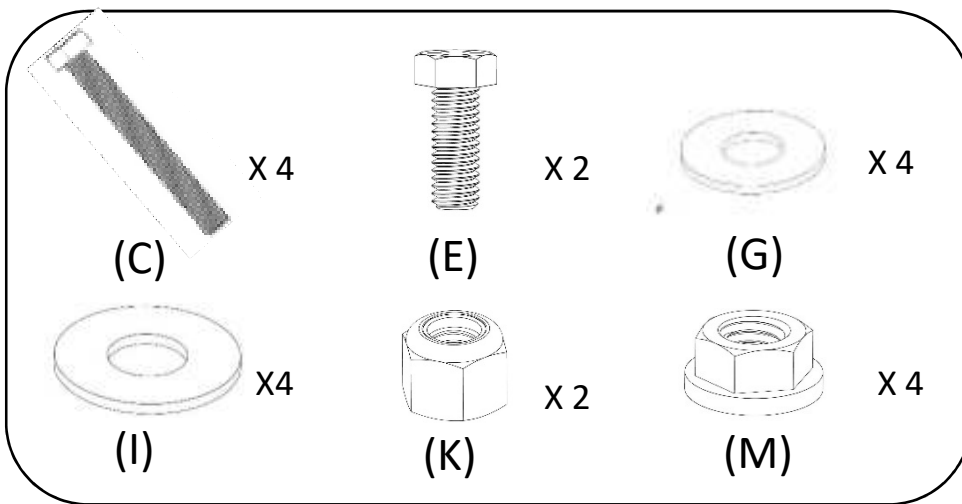


9/16"  
OPEN END WRENCH



3/4"  
OPEN END WRENCH

## HARDWARE PROVIDED:



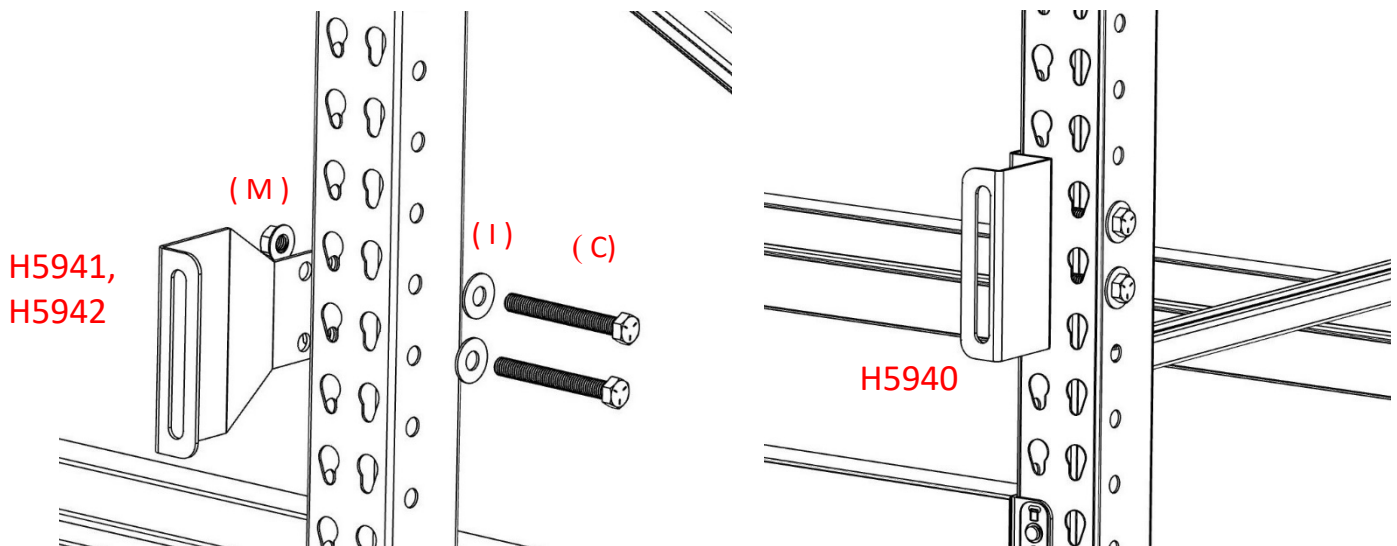
## HARDWARE LIST:

- C. 1/2"-13 X 4" HEX HEAD
- E. 3/8"-16 X 1" HEX HEAD
- G. 3/8" FLAT WASHER
- I. 1/2" FLAT WASHER
- K. 3/8"-16 NYLON LOCK NUT
- M. H5825 1/2"-13 FLANGED NUT

## PARTS LIST:

- STEP BEAM X 1
- PALLET STOP BRACKET:
  - H5940 (0-1-2" OFFSET) x2
  - H5941 (3-4-5" OFFSET) x2
  - H5942 (6-7-8" OFFSET) x2

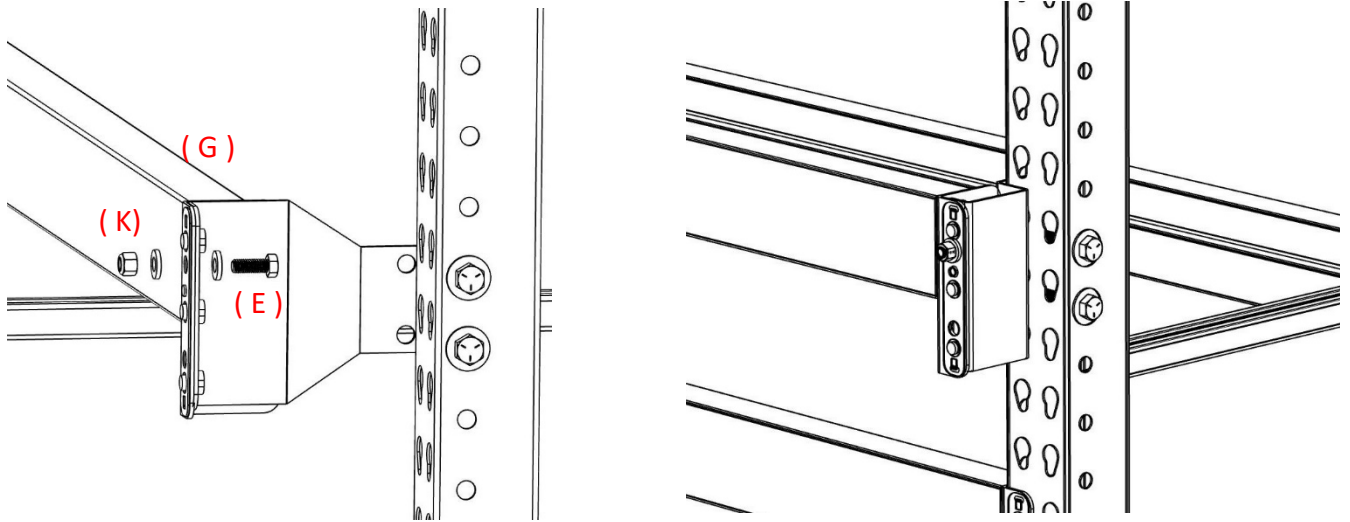
# 1



## NOTE:

- REPEAT STEP 1 FOR OPPOSITE SIDE
- H5940 USES SAME HARDWARE AS H5941, H5942

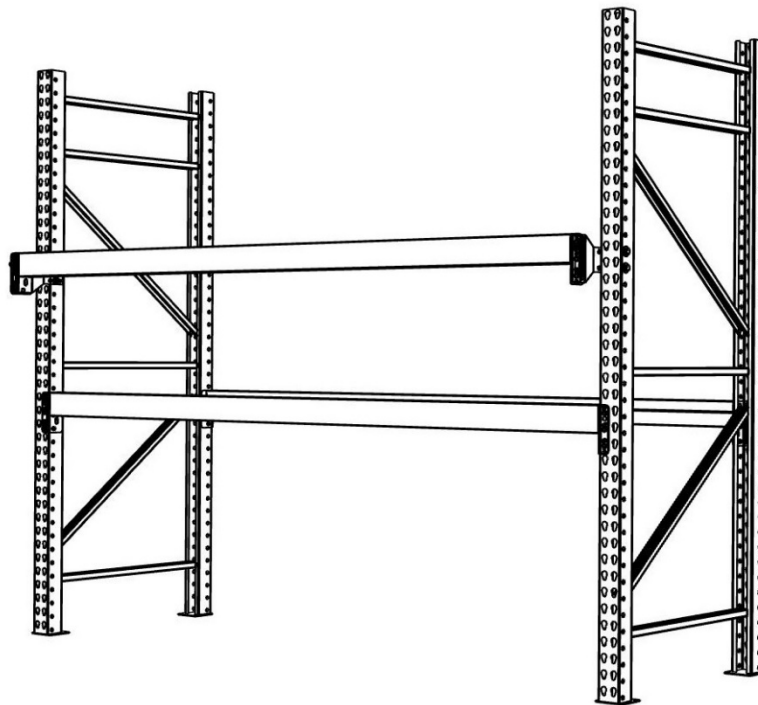
# 2



NOTE:

- REPEAT STEP TWO FOR OTHER SIDE
- H5940 USES SAME HARDWARE AS H5941, H5942

# 3



NOTE:

- VERIFY BEAM CONNECTORS ARE SEATED ENTIRELY ON BRACKETS
- DOUBLE CHECK BOLTS ARE TIGHT