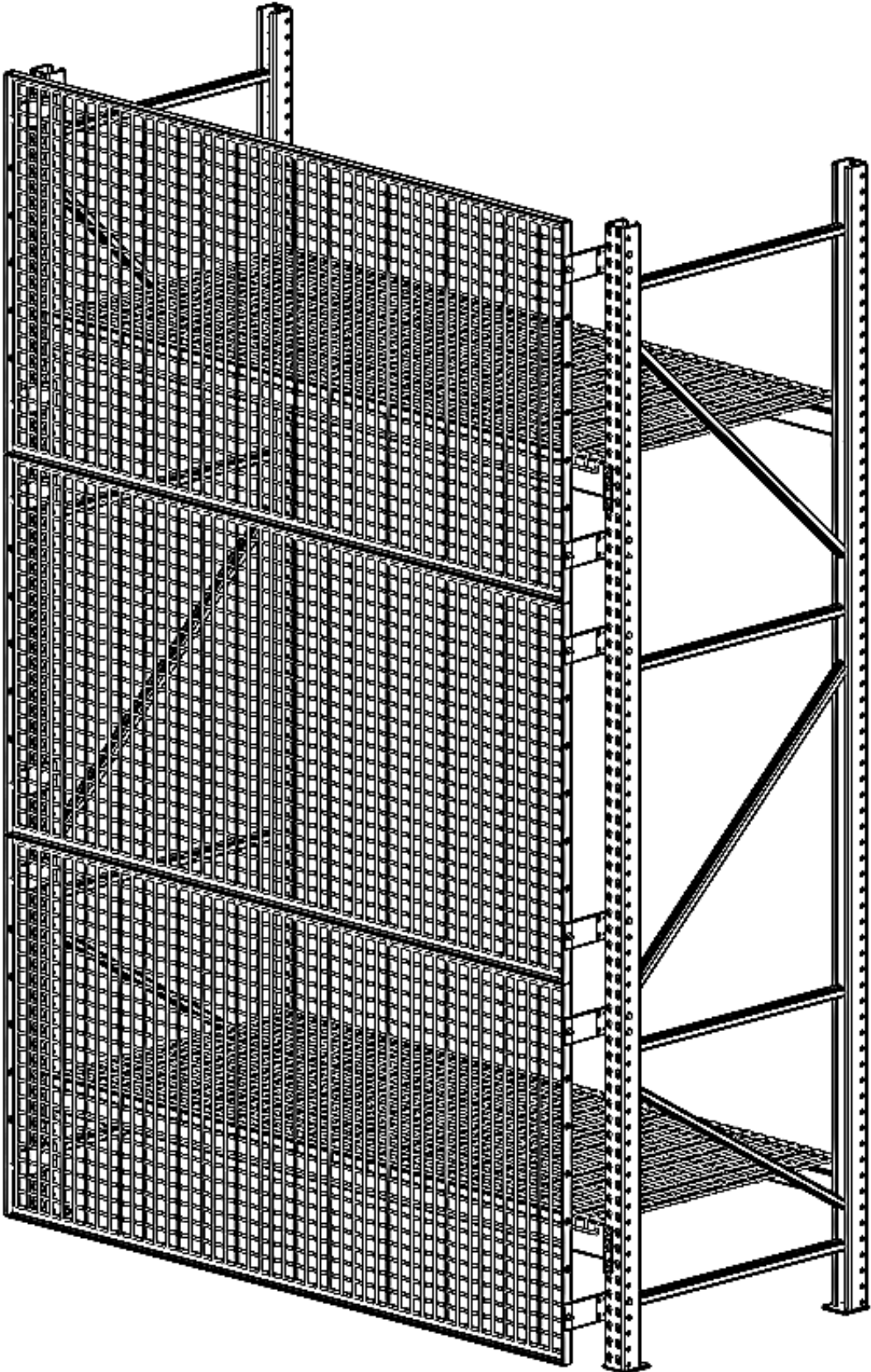


RACK GUARD
INSTALLATION INSTRUCTIONS



Introduction

This guide provides information on safe and proper installation of Husky Rack & Wire (Husky) Rack Guard products. The installation drawings that follow are intended as basic guides to installation of standard Husky components. Additional information and videos can be found on our website at www.huskyrackandwire.com. Failure to properly install, use and maintain Husky products can result in loss of use, collapse, property damage, personal injury or death.

We recommend installation be performed by qualified individuals with experience in the proper assembly of security products and knowledge of industry and government standards and guidelines. All users should carefully read these instructions in their entirety and ensure that all members of the installation team wear a hardhat, hard-toe-boots and gloves without cuffs during installation.

Warnings

- Rack guard must be installed on rack that is plumb, level, and square. Every upright must be anchored to an adequate concrete floor.
- If unstable during installation, temporary bracing may be necessary until the product is completely assembled.
- Do not cut, weld or in any other way modify any component of your Husky product.
- Do not substitute any parts or hardware not approved by Husky.
- Do not install damaged or compromised components.
- Do not install Husky products outdoors, unless specifically designed for outdoor use.
- Never stand, walk or climb on racks, during or after assembly.

PROPER ASSEMBLY IS THE RESPONSIBILITY OF THE OWNER AND IS NOT COVERED BY ANY WARRANTY OF HUSKY. HUSKY DISCLAIMS ALL LIABILITY WITH RESPECT TO INSTALLATION OF ITS PRODUCTS.

Inspection and Maintenance

Once installed, the owner should ensure that periodic inspections are performed and that the entire rack system is properly maintained in accordance with industry practice.



6146 DENVER INDUSTRIAL PARK RD.
DENVER, NC 28037
PHONE: 704-483-1900 FAX 704-483-1911
WWW.HUSKYRACKANDWIRE.COM
© 2023 HUSKY RACK & WIRE PREVIOUSLY WIREWAY HUSKY CORP.

TABLE OF CONTENTS

RACK GUARD CLIP INSTALLATION.....	1
RACK GUARD INSTALLATION.....	2

INSTALLATION IS RECOMMENDED BY AT LEAST 2 PEOPLE

RACK GUARD CLIP INSTALLATION

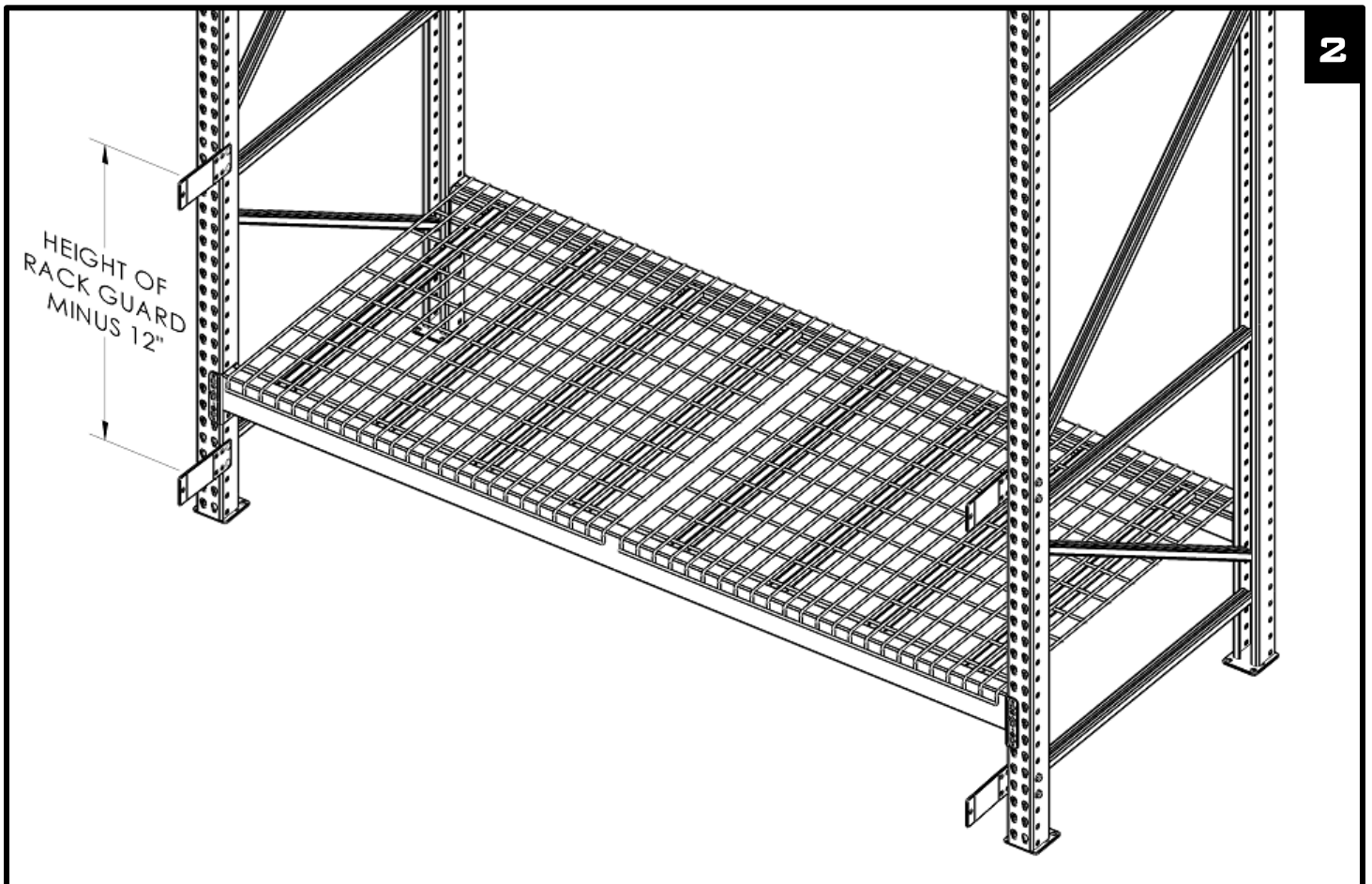
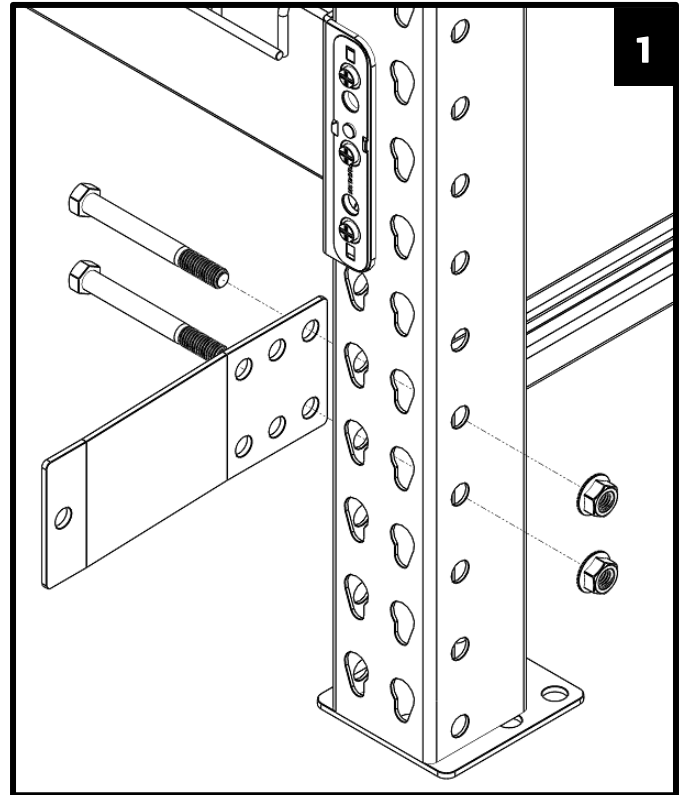
INSTALLING RACK GUARD CLIPS

INSTALL THE FIRST RACK GUARD CLIPS AT DESIRED OFFSET DEPTH AS SHOWN IN PICTURE 1 USING:

(2) H1126 - 7/16-14 x 4" CARRIAGE BOLT

(2) H1144 - 7/16-14 HEX FLANGE NUT

REPEAT THIS STEP FOR THE OTHER 3 BRACKETS. THE DISTANCE BETWEEN THE TOP AND BOTTOM CLIPS SHOULD 12" LESS THAN THE HEIGHT OF THE RACK GUARD AS SHOWN IN PICTURE 2.



RACK GUARD INSTALLATION

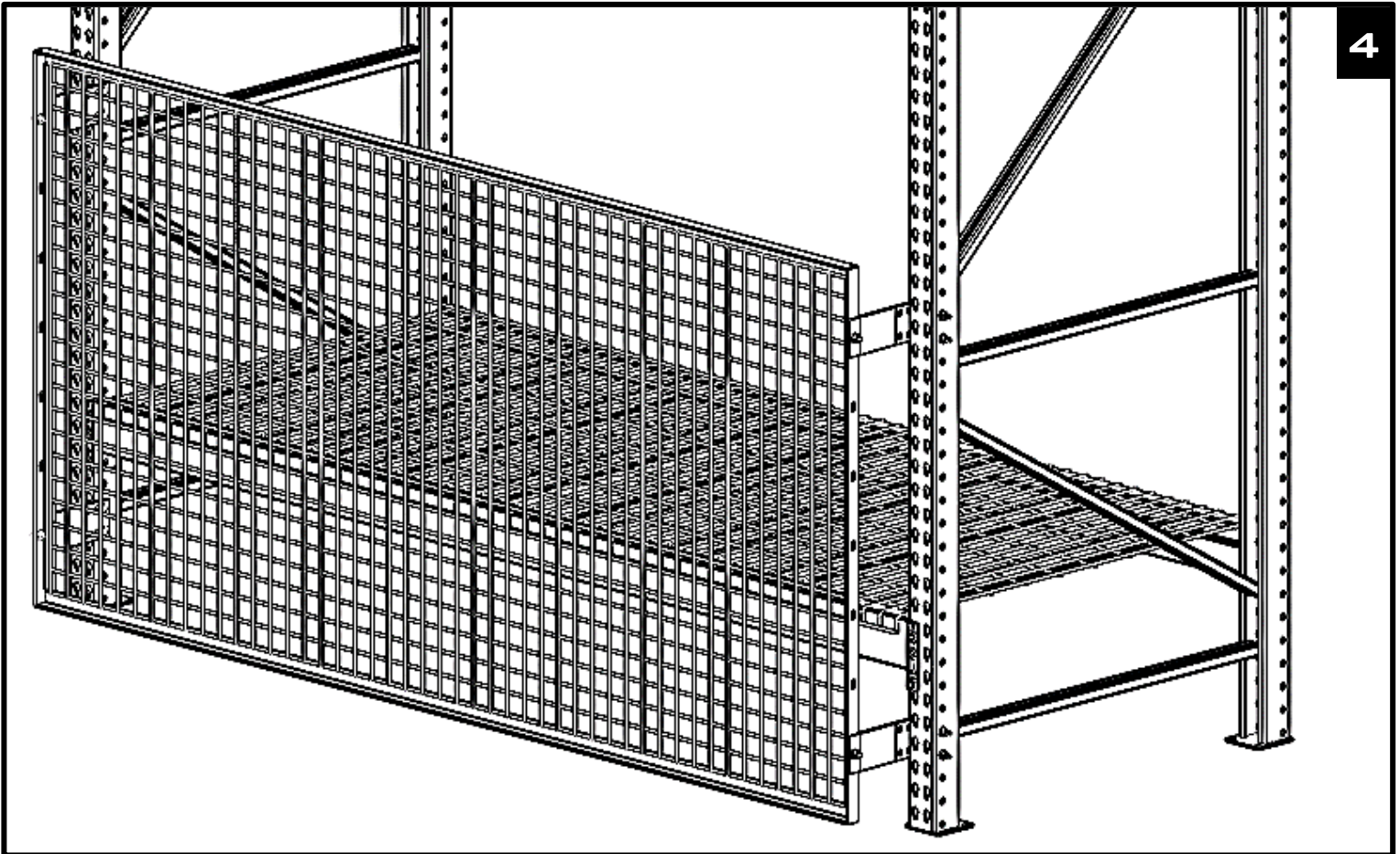
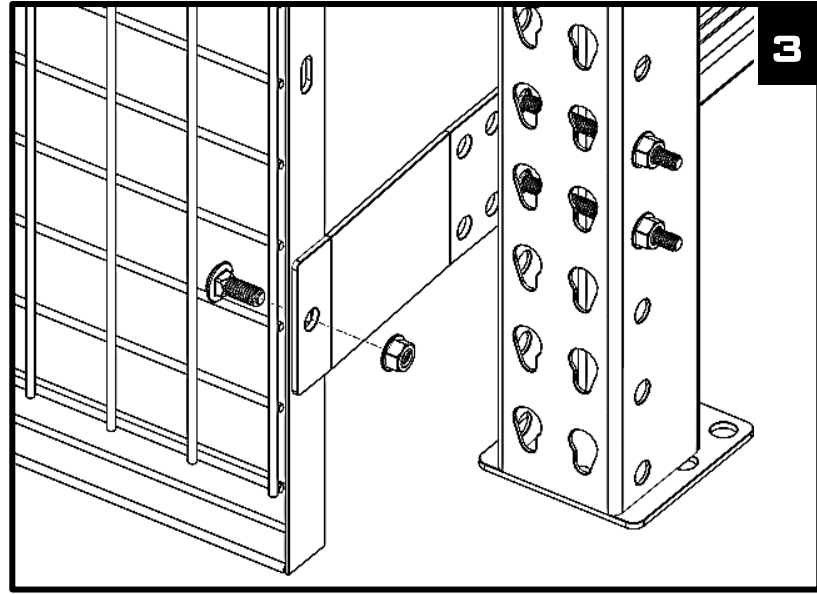
INSTALLING RACK GUARD

BOLT THE RACK GUARD TO THE RACK GUARD CLIPS THROUGH THE INSIDE OF THE RACK GUARD AS SHOWN IN PICTURE 3 USING:

(1) H1109 – 3/8-16 x 1" CARRIAGE BOLT

(1) H5837 – 3/8-16 HEX FLANGE NUT

REPEAT THIS STEP FOR ALL RACK GUARD CLIPS AS SHOWN IN PICTURE 4.



REPEAT THE ENTIRE INSTALLATION IF YOU ARE STACKING RACK GURADS